

MICROSCOPE & TELESCOPE KIT

Levenhuk LabZZ MT2

LabZZ



- ⓔ User Manual
- ⓑ Ръководство за потребителя
- Ⓒ Návod k použití
- Ⓓ Bedienungsanleitung
- Ⓔ Guía del usuario
- Ⓕ Használati útmutató
- Ⓖ Guida all'utilizzo
- Ⓗ Instrukcja obsługi
- Ⓘ Manual do usuário
- Ⓡ Инструкция по эксплуатации

levenhuk^o
Zoom&Joy

Levenhuk LabZZ 75x/300x/900x Microscope



EN

1. Eyepiece tube
2. Focusing knob
3. Microscope optical tube (monocular head)
4. Revolving nosepiece
5. Objective
6. Stand
7. Slide holder
8. Stage
9. Illumination
10. Mirror
11. Battery compartment
12. Base

DE

1. Okularrohr
2. Fokussierrad
3. Optischer Mikroskoptubus (Monokularkopf)
4. Objektivrevolver
5. Objektiv
6. Stativgriff
7. Probenhalter
8. Objektisch
9. Beleuchtungslampe
10. Spiegel
11. Batteriefach
12. Sockel

IT

1. Tubo ottico
2. Manopola della messa a fuoco
3. Tubo ottico del microscopio (testata monoculare)
4. Revolver portaobiettivi
5. Obiettivi
6. Stativo
7. Tavolino
8. Molletta ferma vetrini
9. Specchio
10. Illuminazione
11. Comparto delle batterie
12. Base

RU

1. Окулярная трубка
2. Ручка фокусировки
3. Тубус микроскопа
4. Револьверное устройство
5. Объектив
6. Штатив
7. Зажим
8. Предметный столик
9. Лампа подсветки
10. Зеркало
11. Батарейный отсек
12. Основание

BG

1. Тръба на окуляра
2. Бутон за фокусиране
3. Оптична тръба на микроскопа (монокулярна глава)
4. Револверна глава
5. Обектив
6. Стойка
7. Предметна маса
8. Държач за образец
9. Огледало
10. Осветление
11. Отделение за батериите
12. Основа

ES

1. Tubo ocular
2. Tornillo de enfoque
3. Tubo óptico del microscopio (cabezal monocular)
4. Revólver giratorio
5. Objetivo
6. Soporte
7. Pinza para portaobjetos
8. Platina
9. Iluminación
10. Espejo
11. Compartimento de las pilas
12. Base

PL

1. Tubus okularu
2. Pokrętko ustawiania ostrości
3. Tuba optyczna (Głowica monokularowa)
4. Głowica obrotowa
5. Obiektyw
6. Statyw
7. Uchwyt na preparaty
8. Stolik
9. Oświetlenie
10. Lusterko
11. Komora baterii
12. Podstawa

CZ

1. Tubus okuláru
2. Zaostrňovací šroub
3. Optický tubus (monokulární hlava)
4. Revolverový nosič objektivů
5. Objektiv
6. Rameno
7. Držák preparátů
8. Pracovní stůlek
9. Osvětlení
10. Zrcátko
11. Prostor pro baterie
12. Stativ

HU

1. Szemlencsécő
2. Fókuszállító gomb
3. Mikroszkóp optikai tubusa (monokuláris fej)
4. Revolverfej
5. Objektív
6. Állvány
7. Tárgyasztal
8. Tárgylemez-tartó
9. Tükör
10. Világítás
11. Elemtartó rekesz
12. Talpazat

PT

1. Tubo da ocular
2. Botão de focagem
3. Tubo ótico do microscópio (cabeça monocular)
4. Revólver giratório
5. Objetiva
6. Suporte
7. Platina
8. Suporte de lâminas
9. Espelho
10. Iluminação
11. Compartimento das pilhas
12. Base

Levenhuk LabZZ 75x/300x/900x Microscope

4

EN	
The kit includes:	
1	microscope
3	prepared microscope slides
3	blank slides
5	cover slips
5	slide stickers
1	scalpel
1	forceps
1	spatula
1	dissecting needle
2	flask with dye
2	backup bulb
1	flask with glue
1	pipette

BG	
Комплектът включва:	
1	микроскоп
3	подготвени микроскопски проби
3	чисти предметни стъкла
5	покривни стъкла
5	стикери за образци
1	скалпел
1	пинсета
1	шпатула
1	дисекционна игла
2	флакон с боя
2	наhradní žárovka
1	nádobka s lepidlem
1	pipeta

CZ	
Obsah soupravy:	
1	mikroskop
3	preparáty připravené k použití
3	čistá sklíčka
5	krycí sklíčka
5	samolepicí etikety na preparáty
1	skalpel
1	kleštičky
1	stěrka
1	preparační jehla
2	nádobka s barvivem
2	náhradní žárovka
1	nádobka s lepidlem
1	pipeta

DE	
Lieferumfang:	
1	Mikroskop
3	Mikroskopierbereite Präparate
3	Leere Objektträger
5	Deckgläser
5	Foliensticker
1	Skalpell
1	Forzeps
1	Spatel
1	Präpariernadel
2	Kolben mit Farbe
2	Ersatzlampe
1	Kolben mit Klebstoff
1	Pipette

ES	
El kit incluye:	
1	microscopio
3	muestras
3	portaobjetos vacíos
5	cubreobjetos
5	pegatinas para portaobjetos
1	escalpelo
1	pinzas
1	espátula
1	aguja de disección
2	frasco con tinte
2	bombilla de recambio
1	frasco con pegamento
1	pipeta

HU	
A készlet tartalma:	
1	mikroszkóp
3	előkészített mikroszkóp-tárgylemez
3	üres tárgylemez
5	fedőlemez
5	öntapadós tárgylemez-címkék
1	szike
1	csipesz
1	spatula
1	boncolótű
2	festékes flakon
2	tartalék izzó
1	ragasztós flakon
1	pipetta

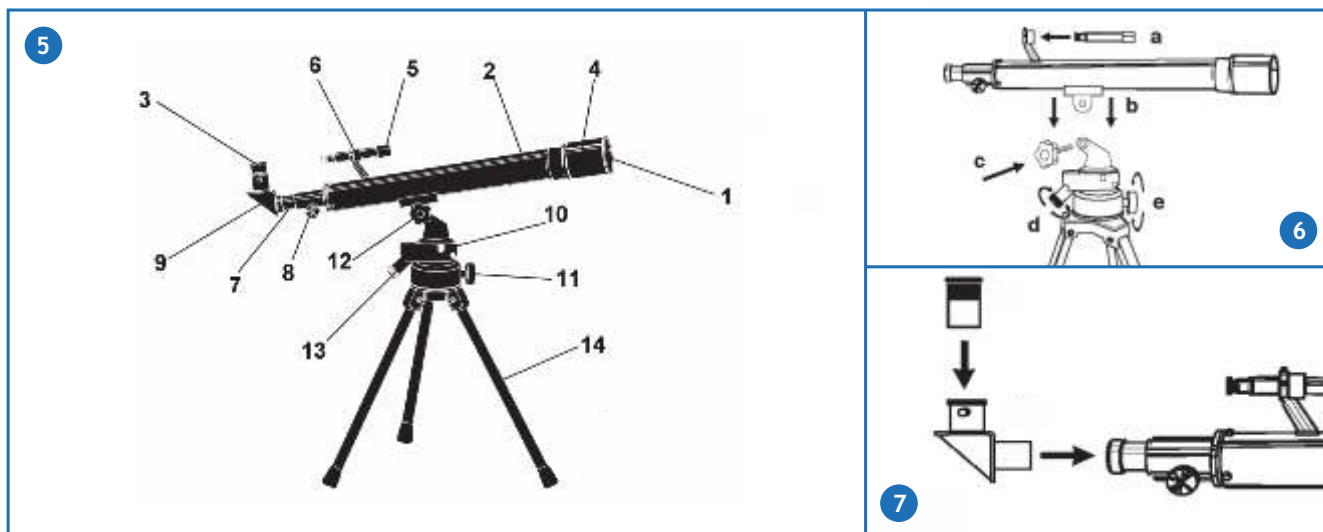
IT	
Il kit comprende:	
1	microscopio
3	vetrini preparati per microscopi
3	vetrini vuoti
5	coprivetrini
5	adesivi per vetrini
1	bisturi
1	pinza
1	vetrini preparati per microscopi
1	ivetrini vuoti
2	coprivetrini
2	adesivi per vetrini
1	bisturi
1	pipetta

PL	
Zawartość zestawu:	
1	mikroskop
3	gotowe próbki
3	szkiełka podstawowe
5	szkiełka nakrywkowe
5	naklejki na preparaty
1	skalpel
1	peseta
1	szpatułka
1	igła preparacyjna
2	fiolka z barwnikiem
2	żarówka pomocnicza
1	fiolka z klejem
1	pipeta

PT	
O kit inclui:	
1	microscópio
3	lâminas de microscópio preparadas
3	lâminas vazias
5	lamela cobre-objetos
5	etiquetas de lâminas
1	bisturi
1	pinça
1	espátula
1	agulha de disseção
2	frasco com corante
2	lâmpada sobresselente
1	frasco com cola
1	pipeta

RU	
В комплекте:	
1	микроскоп
3	готовые препараты
3	предметные стекла
5	покровные стекла
5	наклейки для стекол
1	скальпель
1	пинцет
1	лопаточка
1	препаровальная игла
2	флакон с красителем
2	запасная лампочка
1	флакон с фиксатором
1	пипетка

Levenhuk LabZZ Telescope



	EN	BG	CZ	DE	ES	HU	IT	PL	PT	RU
50 mm	Aperture	Апертура на обектива	Apertura	Öffnung	Apertura	Rekesznyílás	Apertura	Apertura	Abertura	Апертура
500 mm	Focal length	Фокусно разстояние	Ohnisková vzdálenost	Brennweite	Distancia focal	Fókusz távolság	Lunghezza focale	Ogniskowa	Distância focal	Фокусное расстояние
100x	Highest practical power	Най-висока практическа мощност	Maximální zvětšení	Höchste praktische Vergrößerung	Aumento máximo útil	Alegmagasabb fókú gyakorlati nagyítás	Massimo ingrandimento utile	Maksymalne powiększenie	Ampliação máxima útil	Максимальное полезное увеличение

EN

1. Objective
2. Optical tube
3. Eyepiece
4. Sun shade
5. Finderscope (optical, 2x)
6. Finderscope bracket
7. Focuser
8. Focusing knob
9. Diagonal mirror
10. Altazimuth mount
11. Azimuth lock knob
12. Altitude lock knob
13. Slow-motion control
14. Tabletop tripod

BG

1. Лещи на обектива
2. Оптична тръба
3. Окуляр
4. Слънчева сянка
5. Визьор (оптичен, 2x)
6. Скоба на визьора
7. Фокусиращо устройство
8. Бутон за фокусиране
9. Диагонално огледало
10. Азимутална монтировка
11. Бутон за фиксиране на азимут
12. Бутон за фиксиране на надморската височина
13. Управление за бавно движение
14. Настолен триножник

CZ

1. Objektiv
2. Optický tubus
3. Okulár
4. Sluneční clona
5. Pointační dalekohled (optický, 2x)
6. Patice pointačního dalekohledu
7. Okulárový výťah
8. Zaostřovací šroub
9. Diagonální zrcátko
10. Azimutální montáž
11. Aretační šroub azimutu
12. Aretační šroub elevace
13. Regulace přesného nastavení
14. Stolní stativ

DE

1. Objektiv
2. Optischer Tubus
3. Okular
4. Gegenlichtblende
5. Sucherteleskop (optisch, 2x)
6. Suchersockel
7. Fokussierer (Scharfsteller)
8. Fokussierrad
9. Zenitspiegel (Diagonalspiegel)
10. Altazimut-Montierung
11. Azimuth-Arretierung
12. Höhenwinkel-Arretierung
13. Feinabstimmung
14. Tischstativ

ES

1. Objetivo
2. Tubo óptico
3. Ocular
4. Parasol del objetivo
5. Buscador (óptico, 2x)
6. Base del buscador
7. Enfocador
8. Tornillo de enfoque
9. Espejo diagonal
10. Montura altazimutal
11. Tornillo de bloqueo de azimut
12. Tornillo de bloqueo de altitud
13. Control de movimiento lento
14. Trípode de sobremesa

HU

1. Objektiv
2. Optikai tubus
3. Szemlencse
4. Napellenző
5. Keresőtávcső (optikai, 2 db)
6. Keresőtávcső talpazata
7. Fókuszállító
8. Fókuszállító gomb
9. Diagonális tükrő
10. Alt-azimut állvány
11. Azimut szorítógomb
12. Magassági szorítógomb
13. Lassúmozgás-szabályozó
14. Asztalra állítható háromlábú állvány

IT

1. Obiettivi
2. Tubo ottico
3. Oculare
4. Paraluce
5. Cercatore (ottico, 2x)
6. Supporto del cercatore
7. Foceggiatore
8. Manopola della messa a fuoco
9. Diagonale a specchio
10. Montatura altazimutale
11. Manopola di bloccaggio azimutale
12. Manopola di blocco dell' altezza
13. Comando slow-motion
14. Treppiede da tavolo

PL

1. Obiektyw
2. Tuba optyczna
3. Okular
4. Osłona przeciwsłoneczna
5. Szukacz (optyczny, 2x)
6. Podstawa szukacza
7. Tubus ogniskujący
8. Pokrętło ustawiania ostrości
9. Lustro diagonalne
10. Montaż azymutalny
11. Pokrętło blokujące teleskop w poziomie
12. Pokrętło blokujące teleskop w pionie
13. Pokrętło mikroruchów
14. Statyw stołowy

PT

1. Objetiva
2. Tubo ótico
3. Ocular
4. Proteção da luz solar
5. Buscador (ótico, 2x)
6. Suporte do buscador
7. Tubo de focagem
8. Botão de focagem
9. Espelho diagonal
10. Montagem altazimutal
11. Botão de bloqueio do azimute
12. Botão de bloqueio da altitude
13. Controlo de movimento lento
14. Tripé de mesa

RU

1. Объектив
2. Труба телескопа
3. Окуляр
4. Защитная бленда
5. Искатель (оптический, 2x)
6. Крепление для искателя
7. Фокусер
8. Ручка фокусировки
9. Диагональное зеркало
10. Азимутальная монтировка
11. Винт регулировки по азимуту
12. Винт регулировки по высоте
13. Механизм тонких движений
14. Настольная тренога

Dear friend!

Levenhuk LabZZ MT2 Kit for children will open up the amazing world of exciting scientific discoveries! With the telescope in the kit you can study the Moon, planets and bright stars, unravel the mysteries of the endless Cosmos and observe the most distant objects. The microscope, on the other hand, will help you witness the unseen – things so small that you can't see them with the naked eye! The microscope in the kit will help you find out what things around us are made of and what kinds of secrets are hidden from us in every day life. Your experience with Levenhuk LabZZ MT2 Kit will be both informative and entertaining. Carefully read the entire manual before operating the telescope or microscope. Don't lose it; you might need it later.

Information for parents

Dear adults! Remember that you are responsible for your child at all times. Always ensure the child's safety when working with the microscope or telescope. Read this entire manual carefully, especially the handling and maintenance instructions. Even if your child is old enough and reads well, repeat all the rules aloud one more time before beginning to work with the instruments. Make sure that he or she clearly understands these instructions.

CAUTION! CHOKING HAZARD! These devices include small parts. The telescope and microscope are designed for children over 5 years of age and should only be used under adult supervision.

Care and maintenance (microscope and telescope)

- Never, under any circumstances, look directly at the Sun through this device without a special filter, or look at another bright source of light or at a laser, as this may cause PERMANENT RETINAL DAMAGE and may lead to BLINDNESS.
- You should ONLY observe the Sun with a professional solar aperture filter that completely covers the front of the instrument. The front end of the finderscope must be covered with aluminum foil or other non-transparent material to protect the internal parts of the telescope from damage. For safe solar observations we recommend using filters with an optical density (OD) of 5.0. Such filters transmit only 0.001% of the sun's light, blocking the remaining 99.999%. Most reliable solar filters are made of Baader AstroSolar film.
- Take necessary precautions when using the device with children or others who have not read or who do not fully understand these instructions.
- All parts of the telescope and microscope will arrive in one box. Be careful when unpacking it. We recommend keeping the original shipping containers. In the event that the telescope needs to be shipped to another location, having the proper shipping containers will help ensure that your telescope survives the journey intact. Make sure all the parts are present in the packaging. Be sure to check the box carefully, as some parts are small.
- Do not try to disassemble the device on your own for any reason. For repairs and cleaning of any kind, please contact your local specialized service center.
- Do not touch the optical surfaces with your fingers. To clean the device exterior, use only special cleaning wipes and special optics cleaning tools from Levenhuk. Do not use any corrosive or acetone-based fluids to clean the optics.
- Protect the device from sudden impact and excessive mechanical force. Do not apply excessive pressure when adjusting focus. Do not overtighten the locking screws.
- Store the device in a dry, cool place away from hazardous acids and other chemicals, away from heaters, open fire and other sources of high temperatures.
- If you are not using the device for extended periods of time, store the objective lenses and eyepieces separately from it.
- Be careful during your observations, always replace the dust cover after you are finished with observations to protect the device from dust and stains.
- Do not use the device for lengthy periods of time, or leave it unattended in direct sunlight. Keep the device away from water and high humidity.
- When using the microscope, try not to use it near flammable materials or substances (benzene, paper, cardboard, plastic, etc.), as the base may heat up during use, and might become a fire hazard.
- Always unplug the microscope from a power source before opening the base or changing the illumination lamp. Regardless of the lamp type (halogen or incandescent), give it some time to cool down before trying to change it, and always change it to a lamp of the same type.
- The chemicals might be harmful to human health. Use only those specified in the user manual. Make sure that your child knows how to use with them correctly.
- The workplace should be kept clean and tidy. Don't work with specimens in the kitchen near food you eat. The area should be well lit. You also should have fast and convenient access to clean water.
- Find a separate bucket for waste. All liquids should be poured down the drain, not into the sink.
- Dyes: Methylene blue and methyl orange. Do not swallow. Keep out of the reach of children. If swallowed, seek medical advice immediately.
- Glue: Usually organic material (for example, pitch). Do not swallow. Keep out of the reach of children. If swallowed, seek medical advice immediately.
- The kit includes everything needed for assembly, but if you need some additional tool you can use a basic set of standard instruments that almost everyone keeps at home.
- **Seek medical advice immediately if a small part or a battery is swallowed.**
- **Children should use the telescope under adult supervision only.**

Batteries safety instructions

- Always purchase the correct size and grade of battery most suitable for the intended use.
- Always replace the whole set of batteries at one time; taking care not to mix old and new ones, or batteries of different types.
- Clean the battery contacts and also those of the device prior to battery installation.
- Make sure the batteries are installed correctly with regard to polarity (+ and -).
- Remove batteries from equipment that is not to be used for an extended period of time.
- Remove used batteries promptly.
- Never attempt to recharge primary batteries as this may cause leakage, fire, or explosion.
- Never short-circuit batteries as this may lead to high temperatures, leakage, or explosion.
- Never heat batteries in order to revive them.

- Do not disassemble batteries.
- Remember to switch off devices after use.
- Keep batteries out of the reach of children, to avoid risk of ingestion, suffocation, or poisoning.
- Utilize used batteries as prescribed by your country laws.

Welcome to the microworld!

With Levenhuk LabZZ MT2 Microscope you will make lots of interesting discoveries and create exciting memories! Remember that following safety rules is absolutely necessary. In the kit you will find the microscope, as well as many useful accessories. Everything in place? Check it together with your parents. ④

Microscope's construction ①

1. **Eyepiece.** You observe the magnified image of the sample through the eyepiece. Eyepiece is a lens system that works the same way as a magnifying glass.
2. **Focusing knob.** Blurry images? Rotate the knob gently, adjusting the focus until all details become clear. Be careful – rotate the knob slowly so as not to damage the objective or observed slide.
3. **Monocular head.** This is a very important part of the microscope. The light travels right up the tube of the head directly into the eyepiece, where the resulting image is formed.
4. **Revolving nosepiece.** This is a device that holds three objectives with different magnifications. To change magnification, rotate the nosepiece until it clicks (the sound means that the chosen objective is in place).
5. **Objective.** This is needed for magnifying images. Levenhuk LabZZ MT2 Microscope comes with three objectives with different magnifications. They magnify images 75, 300 and 900 times compared to what you see with the naked eye.
6. **Stand.** This curved part of the microscope connects all other parts together. If you are feeling uncomfortable looking through the eyepiece, tilt or lift the stand until it's more comfortable. Change the inclination angle slowly, without abrupt movements.
7. **Stage.** This is exactly where you place the slide in order to observe it.
8. The stage has two **slide holders**, which, as is clear from their name, hold slides in place.
9. **The mirror** is located under the stage. It refracts the light from the lamp or the window illuminating the sample on the stage.
10. **Illumination lamp.** If illumination in your room is not enough, turn on the built-in illumination by turning over the mirror. ②
11. **Battery compartment.** The battery compartment is in the base of the microscope. What's it for? That's simple – it's where you put batteries to make the illumination work. More details on how it's done can be found below.

How to work with the microscope

1. First install batteries for illumination. Flip the microscope over and remove the cap from the battery compartment. Insert two AA batteries (those are not the thinnest penlight batteries, but those that are a bit thicker). Insert the batteries according to their polarity – make sure that the “+” sign on the battery matches “+” in the compartment (same goes for “-” signs). ③ Put the cap back on. Don't hesitate to ask adults for help if you are not sure.
2. Place the microscope on the flat surface near the source of bright light (window or a lamp). Turn the mirror towards the illumination source. You should see a bright light spot through the eyepiece.

CAUTION! Never direct the mirror towards the Sun, as it may ruin your eyesight and even cause blindness.

3. Now the microscope is ready for work.
4. Take a prepared microscope slide, place it on the stage and secure with holders.
5. Choose the objective by rotating the revolving nosepiece. The microscope comes with three objectives with different magnifications. The longer the objective, the higher magnification it produces. Most observations are better performed with lower magnification, so choose the shortest objective to start. You will hear a “click” when the objective is in place.
6. Slowly rotate the focusing knob so the objective is almost touching the slide. **BUT!** It shouldn't actually touch the slide as both the slide and the objective may be damaged if it does. That's why you need to do everything very slowly and carefully. When the objective is very close to the slide (but doesn't touch it!), look through the eyepiece and start to rotate the focusing knob in the opposite direction very slowly until you see a clear image.

Wonderful telescope

Telescope's construction ⑤

1. **Objective.** The most important part of the telescope. The objective is a lens system that gathers light from the distant object and forms its image. The objective should always be pointed in the direction of the object you want to observe.
2. **Optical tube.** Light rays collected by the objective travel down the optical tube to enter the eyepiece.
3. **Eyepiece.** You look at the Moon, planets and stars through the eyepiece. The eyepiece enlarges images of objects many times; that's why all objects look bigger than when observed with the naked eye.
4. **Sun shade.** The shade is a short tube that is put on the objective. It's needed to not let the light from street lamps, car lights, windows and other close-by light sources get in the objective and ruin the resulting image of the object you want to observe.
5. **Finderscope** – is a small telescope that is attached to the tube of the big telescope. The finderscope has small magnification and wide field of view (the latter means that you can see larger areas at once). The finderscope is made to help you find the desired object more quickly and easily. After you've found the object using the finderscope, you can observe it in detail through the telescope.
6. **Finderscope bracket** is required to attach the finderscope to the telescope tube.
7. **Focuser** – is a special device in which the eyepiece is inserted. The focuser is needed for bringing the eyepiece closer or farther from the objective. By doing so, you can achieve the maximum clarity of images.

8. If the image you see through the eyepiece isn't clear, rotate the **focusing knob** carefully.
9. **Diagonal mirror**. If you want to observe objects high above your head, use the diagonal mirror so you don't have to throw your head back. The diagonal mirror is inserted in the focuser. It deflects light rays so you can observe from a more comfortable position.
10. **Altazimuth mount** – is a special mechanism that allows you to move the telescope tube up-down and right-left.
11. **Azimuth lock knob** moves the tube horizontally.
12. **Altitude lock knob** moves the tube vertically.
13. **Slow-motion control**. The telescope is a very sensitive instrument; that's why for more precise pointing you need to use slow-motion control. This control allows you to move the tube very smoothly and without jumps.
14. **Tabletop tripod**. The telescope should be very stable so the images you see don't shake. This is why the tube is installed on a special support – the tripod.

How to assemble your telescope 6

It is very important to assemble the telescope correctly so it works the right way. Examine the telescope carefully. Try to remember the names of its parts, where each part goes and what it's needed for. It's better to assemble the telescope with adult help.

1. Open the box and put out all the parts. Double-check the box when it's empty – some small parts might still be in there.
2. Spread the tripod legs and install it on a flat surface so it is stable.
3. Find the mounting screw on the telescope (located underneath). Loosen it and set the telescope on the mount. Insert the screw in the holes on the telescope and the mount. Carefully tighten it. **Attention! Do not overtighten the screw as you may accidentally damage the screw thread.**
4. Loosen the finderscope mounting screws and slide it in the finderscope base. Carefully tighten the screws. The finderscope should be installed in a way so it points in the same direction as the telescope tube.

How to work with the telescope

Before starting observations it is very important to install eyepieces and all additional parts correctly.

Focuser: Turn the focusing knob toward the telescope until it will not go farther. Then start turning the knob towards yourself slowly until the image is clear. **Attention! Before focusing the view (adjusting its sharpness), make sure that eyepiece is inserted in the focuser. Otherwise, you won't see an image.**

18mm eyepiece: In the box with your telescope you will find two eyepieces. The lower the number on the eyepiece, the higher the magnification. It's better to start observing using an eyepiece with low magnification and wide field of view. The 18mm erecting eyepiece can be used for lunar and planetary observations and you can also observe a great number of distant terrestrial objects with it such as buildings, towers, antennas and others! **Attention! The 18mm erecting eyepiece should be inserted directly into the focuser, without the diagonal mirror.**

Diagonal mirror: Pull out the erecting eyepiece and insert the diagonal mirror into the focuser. 7

H12.5mm eyepiece: After the diagonal mirror is inserted into the focuser, insert the H12.5mm eyepiece in it. It provides higher magnification and is great for night-time observations.

How to start observing

**CAUTION! Never look at the Sun and the sky around it through a telescope!
It can ruin eyesight and even cause blindness!**

Before you start exploring the Cosmos, you should learn to operate the telescope during the day. Use the 18mm erecting eyepiece to observe different terrestrial objects – houses, trees, antennas on the rooftops and many others! This way you will learn to control the telescope and focus on desired objects. Besides, it's a lot of fun! **Attention! The telescope should be used in a place protected from the wind.**

When you get to observing the Moon, planets and stars at night, remember to choose locations away from street lamps, car lights and window lights. Try to observe on nights when the stars shine bright and evenly.

Point the telescope at the desired object, for example, the Moon. Looking through the finderscope, slowly move the tube until the object is in the center. Now look through the eyepiece and you will see the image of the object magnified many times!

When working with the telescope, be careful and patient. Don't push it and don't move it from its place. After some training you will learn to move the telescope tube without losing the object from the sight of the eyepiece.

Скъпи приятелю!

Комплектът Levenhuk LabZZ MT2 за деца ще разкрие невероятния свят на вълнуващите научни открития! С телескопа в комплекта можете да изучавате Луната, планетите и ярките звезди, да разгадвате мистериите на безкрайния Космос и да наблюдавате най-отдалечените обекти. Микроскопът, от друга страна, ще Ви помогне да видите невидимото – неща, които са толкова малки, че не можете да ги видите с невъоръжено око! Микроскопът в комплекта ще Ви помогне да откриете от какво са направени нещата около нас и какви тайни са скрити от нас в ежедневието. Вашето изживяване с комплекта Levenhuk LabZZ MT2 Kit ще бъде едновременно полезно и занимателно.

Прочетете внимателно цялото ръководство, преди да пристъпите към работа с телескопа или микроскопа. Не го губете – може да Ви потрябва по-късно.

Информация за родителите

Скъпи възрастни! Не забравяйте, че Вие сте отговорни за детето си по всяко време. Винаги осигурявайте безопасността на детето при работа с микроскопа или телескопа. Прочетете внимателно целия материал, по-специално инструкциите за работа и поддръжка.

Дори ако детето Ви е достатъчно голямо и чете добре, повторете всички правила на глас още веднъж, преди да започнете работа с инструментите. Уверете се, че детето ясно разбира тези инструкции.

ВНИМАНИЕ! ОПАСНОСТ ОТ ЗАДВЯНЕ! Тези устройства съдържат малки части. Телескопът и микроскопът са предназначени за деца на възраст над 5 години и трябва да се използват само под надзора на възрастен.

Грижи и поддръжка (микроскоп и телескоп)

- Никога и при никакви обстоятелства не гледайте директно към слънцето, друг ярък източник на светлина или лазер през това устройство, тъй като това може да предизвика ПЕРМАНЕНТНО УВРЕЖДАНЕ НА РЕТИНАТА и може да доведе до СЛЕПОТА.
- Трябва да наблюдавате слънцето САМО с професионален соларен филтър на апертурата, който напълно покрива предната част на инструмента. Предният край на визъора трябва да бъде покрит с алуминиево фолио или друг непрозрачен материал, за да се предпазят от повреда вътрешните части на телескопа. За безопасни наблюдения на слънцето препоръчваме използването на филтри с оптична плътност (OD) 5,0. Такива филтри пропускат само 0,001 % от слънчевата светлина, като блокират останалите 99,999 %. Най-надеждните соларни филтри са изработени от Baader AstroSolar Film.
- Предприемете необходимите превантивни мерки при използване на това устройство от деца или други, които не са прочели или които не са разбрали напълно тези инструкции.
- Всички части на телескопа и микроскопа се доставят в една кутия. Внимавайте, когато я разопаковате. Препоръчваме да запазите оригиналните контейнери за транспортиране. В случай че телескопът трябва да бъде транспортиран на друго място, подходящите контейнери за транспортиране ще гарантират целостта на телескопа по време на пътуването. Уверете се, че всички части са налични в опаковката. Не забравяйте да проверите внимателно кутията, тъй като някои части са малки.
- Не се опитвайте да разглобявате устройството самостоятелно. За всякакви ремонти се обръщайте към местния специализиран сервизен център.
- Не пипайте повърхностите на оптиката с пръсти. За почистване на отвън, използвайте само специални кърпички и течности за почистване на оптиката от Levenhuk. Не използвайте корозивни течности или такива на основата на ацетон за почистване на оптиката
- Абразивните частици, като напр. пясък, не трябва да бъдат забърсвани от лещите, а трябва да бъдат издухвани или изчетквани с мека четка.
- Съхранявайте устройството на сухо и хладно място, далеч от опасни киселини и други химикали, далеч от отоплителни уреди, открит огън и други източници на високи температури.
- Ако не използвате устройството за продължителен период от време, съхранявайте отделно от него лещите на обектива и окулярите.
- Бъдете внимателни по време на наблюдения, винаги поставяйте покривалото против прах обратно на мястото му, след като сте приключили с наблюдението, за да предпазите устройството от прах и поява на петна.
- Не използвайте устройството за продължителни периоди от време и не го оставяйте без надзор на директна слънчева светлина. Пазете устройството далече от вода и висока влажност.
- Когато използвате микроскопа, опитайте да не го използвате в близост до запалими материали или вещества (бензен, хартия, картон, пластмаса и т. н.), тъй като основата може да се нагрее по време на употреба и може да възникне опасност от пожар.
- Винаги изключвайте микроскопа от източника на захранване, преди да отворите основата или да смените осветителната лампа. Независимо от вида на лампата (халогенна или с нажежаема жичка) я оставете да се охлади за кратко, преди да опитате да я смените, и винаги я сменяйте с лампа от същия тип.
- Химикалите може да бъдат опасни за човешкото здраве. Използвайте само онези химикали, които са посочени в ръководството за потребителя. Уверете се, че детето Ви знае как да ги използва правилно.
- Работното място трябва да се пази чисто и подредено. Не работете с образци в кухнята близо до храната, която консумирате. Пространството трябва да бъде добре осветено. Също така трябва да имате бърз и удобен достъп до чиста вода.
- Намерете отделна кофа за отпадъци. Всички течности трябва да бъдат излети в канализацията, а не в мивката.
- Бои: Метиленово синьо и метилово оранжево. Да не се поглъща. Да се пази далеч от деца. Ако бъде погълнато, незабавно да се потърси медицинска помощ.
- Лепило: Обикновено органичен материал (например смола). Да не се поглъща. Да се пази далеч от деца. Ако бъде погълнато, незабавно да се потърси медицинска помощ.
- Комплектът включва всичко необходимо за монтажа, но ако Ви е необходим някакъв допълнителен инструмент, можете да използвате основен набор стандартни инструменти, които се намират в почти всеки дом.
- Потърсете веднага медицинска помощ, ако погълнете малка част или батерия.
- Децата трябва да използват телескопа под надзора на възрастен.

Инструкции за безопасност на батериите

- Винаги купувайте батерии с правилния размер и характеристики, които са най-подходящи за предвидената употреба.
- Винаги сменяйте всички батерии едновременно, като внимавате да не смесите стари и нови или батерии от различен тип.
- Почистете контактите на батериите, както и тези на устройството, преди да поставите батериите.
- Уверете се, че батериите са поставени правилно по отношение на полярността (+ и -).

- Извадете батериите от оборудването, ако то няма да бъде използвано продължителен период от време.
- Извадете използваните батерии незабавно.
- Никога не свързвайте батерии нахъсо, тъй като това може да доведе до високи температури, теч или експлозия.
- Никога не загревайте батерии, опитвайки се да ги използвате допълнително време.
- Не разглобявайте батериите.
- Не забравяйте да изключите устройствата след употреба.
- Дръжте батериите далеч от достъпа на деца, за да избегнете риск от поглъщане, задушаване или отравяне.
- Изхвърляйте използваните батерии, както е предписано от законите във Вашата страна.

Добре дошли в микросвета!

С микроскопа Levenhuk LabZZ MT2 ще правите много интересни открития и ще създавате вълнуващи спомени! Не забравяйте, че спазването на правилата за безопасност е абсолютно необходимо. В комплекта ще намерите микроскопа, както и много полезни принадлежности. Всичко ли е налице? Проверете заедно с родителите си. **4**

Части на микроскопа **1**

- 1. Окуляр.** Вие наблюдавате увеличеното изображение на образеца през окуляра. Окулярът е система от лещи, която работи по същия начин като лупа.
- 2. Бутон за фокусиране.** Размазани изображения? Завъртете леко бутона, за да регулирате фокуса, докато детайлите не станат ясни. Бъдете внимателни – въртете бутона бавно, за да не повредите обектива или наблюдавания образец.
- 3. Монокулярна глава.** Това е много важна част от микроскопа. Светлината преминава нагоре по тръбата на главата директно в окуляра, където се образува съответното изображение.
- 4. Революерна глава.** Това е устройство, което държи три обектива с различно увеличение. За да промените увеличението, завъртете револверната глава, докато не щракне (звукът означава, че избраният обектив е на мястото си).
- 5. Обектив.** Служи за увеличаване на изображенията. Микроскопът Levenhuk LabZZ MT2 се доставя с три обектива с различно увеличение. Те увеличават изображенията 75, 300 и 900 пъти в сравнение с това, което виждате с невъоръжено око.
- 6. Стойка.** Тази извита част на микроскопа свързва в едно всички други части. Ако се чувствате неудобно да гледате през окуляра, наклонете или повдигнете стойката, докато не стане по-удобно. Променяйте ъгъла на наклона бавно, без резки движения.
- 7. Предметна маса.** Точно тук поставяте образеца, за да го наблюдавате.
- 8. Предметната маса има два държача за образци,** които, както е видно от името им, държат образците на място.
- 9. Огледалото** се намира под предметната маса. То пречупва светлината от лампата или прозореца, осветяващи образеца върху предметната маса.
- 10. Осветителна лампа.** Ако осветлението в стаята е недостатъчно, включете вграденото осветление, като завъртите огледалото. **2**
- 11. Отделение за батериите.** Отделението за батериите е в основата на микроскопа. За какво служи? Просто е – тук се поставят батерии, за да работи осветлението. Повече подробности за това какво се прави можете да намерите по-долу.

Как се работи с микроскопа

1. Първо поставете батерии за осветлението. Обърнете микроскопа и свалете капачката от отделението за батериите. Поставете две батерии тип AA (това не са най-тънките батерии за фенерчета, а са малко по-дебели). Поставете батериите в зависимост от полюсите им – уверете се, че знакът „+“ върху батерията съответства на „+“ в отделението (същото се отнася и за знаците „-“). **3** Поставете обратно капачката. Ако не сте сигурни, не се колебайте да поискате помощ от възрастните.
2. Поставете микроскопа на равна повърхност в близост да ярък източник на светлина (прозорец или лампа). Завъртете огледалото към източника на светлина. Трябва да видите ярко светлинно петно през окуляра.

ВНИМАНИЕ! Никога и при никакви обстоятелства не гледайте директно към слънцето, тъй като това може да увреди очите Ви и дори може да доведе до слепота.

3. Сега микроскопът е готов за работа.
4. Вземете предварително подготвена проба за микроскопа, поставете я върху предметната маса и я захванете с държачи.
5. Изберете обектива чрез въртене на револверната глава. Микроскопът се доставя с три обектива с различно увеличение. Колкото по-дълъг е обективът, толкова по-голямо увеличение осигурява. Повечето наблюдения се извършват по-добре при по-малко увеличение, така че за начало изберете най-късия обектив. Ще чуете „щракване“, когато обективът е на мястото си.
6. Бавно завъртете бутона за фокусиране, така че обективът почти да докосва образеца. **НО!** Той не трябва в действителност да докосва образеца, тъй като ако това стане, може да се повреди както образецът, така и обективът. Ето защо трябва да вършите всичко много бавно и внимателно. Когато обективът е много близко до образеца (но не го докосва!), погледнете през окуляра и започнете да въртите бутона за фокусиране в противоположната посока много бавно, докато не видите ясно изображение.

Прекрасен телескоп

Части на телескопа **5**

- 1. Лещи на обектива.** Най-важната част на телескопа. Обективът е система от лещи, която събира светлина от отдалечения обект и образува неговото изображение. Обективът трябва винаги да бъде насочен в посоката на обекта, който искате да наблюдавате.
- 2. Оптична тръба.** Светлинните лъчи, събрани от обектива, преминават надолу през оптичната тръба, за да влязат в окуляра.

3. **Окуляр.** Вие гледате Луната, планетите и звездите през окуляра. Окулярът уголемява изображенията на обектите многократно. По тази причина всички обекти изглеждат по-големи, отколкото при наблюдаване с невъоръжено око.
4. **Слънчева сянка.** Сянката е къса тръба, която се поставя върху обектива. Необходимо е, за да не се допуска светлината от уличните лампи, светлините на автомобилите, прозорците и други близки светлинни източници да влизат в обектива и да разрушат полученото изображение на обекта, който искате да наблюдавате.
5. **Визьор** – това е малък телескоп, който е прикрепен към тръбата на големия телескоп. Визьорът има малко увеличение и широко зрително поле (последното означава, че можете да виждате по-големи области наведнъж). Визьорът има за цел да Ви помогне да намирате желаните обекти по-бързо и по-лесно. След като намерите обекта с помощта на визьора, можете да го наблюдавате детайлно през телескопа.
6. **Скоба на визьора** е необходима за прикрепяне на визьора към тръбата на телескопа.
7. **Фокусиращо устройство** – това е специално устройство, в което се поставя окулярът. Фокусиращото устройство е нужно за преместване на окуляра по-близо до или по-далече от обектива. Това се прави, за да можете да постигате максимална яснота на изображенията.
8. Ако изображението, което виждате през окуляра, не е ясно, завъртете внимателно **бутона за фокусиране**.
9. **Диagonalно огледало.** Ако искате да наблюдавате обекти, които са високо над главата Ви, използвайте diagonalното огледало, за да не се налага да отмятате главата си назад. Diagonalното огледало е поставено във фокусиращото устройство. То отклонява светлинните лъчи по такъв начин, че да можете да наблюдавате от по-удобна позиция.
10. **Азимутална монтировка** – това е специален механизъм, който Ви дава възможност да движите тръбата на телескопа нагоре-надолу и наляво-надясно.
11. **Бутон за фиксиране на азимут** движи тръбата хоризонтално.
12. **Бутон за фиксиране на надморската височина** движи тръбата вертикално.
13. **Управление за бавно движение.** Телескопът е много чувствителен инструмент. Ето защо за по-точно насочване е необходимо да използвате управление за бавно движение. Това управление позволява да движите тръбата много плавно и без подскоци.
14. **Настолен триножник.** Телескопът трябва да е много стабилен, за да не трептят гледаните от Вас изображения. По тази причина тръбата се монтира на специална опора – триножника.

Как да сглобите телескопа си 6

Много е важно да сглобите телескопа правилно, за да работи, както трябва. Изучете телескопа внимателно. Опитайте се да запомните наименованията на неговите части, къде се поставя всяка част и за какво се използва. По-добре е телескопът да се сглоби с помощта на възрастен.

1. Отворете кутията и извадете всички части. Проверете кутията още веднъж, когато е празна – възможно е някои малки части да са все още в нея.
2. Разтворете краката на триножника и го поставете на равна повърхност, за да е стабилен.
3. Намерете монтажния винт на телескопа (намира се отдолу). Разхлабете го и поставете телескопа върху монтировката. Вкарайте винта в отворите на телескопа и монтировката. Внимателно го затегнете. **Внимание! Не затягайте прекомерно винта, тъй като може случайно да повредите резбата му.**
4. Разхлабете монтажните винтове на визьора и го плъзнете в основата на визьора. Внимателно затегнете винтовете. Визьорът трябва да бъде монтиран така, че да сочи в същата посока като тръбата на телескопа.

Как се работи с телескопа

Преди да започнете наблюденията, е много важно да монтирате правилно окулярите и всички допълнителни части.

Фокусиращо устройство: Завъртете бутона за фокусиране към телескопа, докато не може да се движи повече. След това започнете бавно да въртите бутона към Вас, докато изображението не стане ясно. **Внимание! Преди да фокусирате изгледа (да регулирате остротата му), се уверете, че окулярът е вкаран във фокусиращото устройство. В противен случай няма да видите изображение.**

Окуляр 18 mm: В кутията с телескопа ще намерите два окуляра. Колкото по-малък е номерът на окуляра, толкова по-голямо е увеличението. По-добре е да започнете да наблюдавате с помощта на окуляр с малко увеличение и широко зрително поле. Окулярът за прав образ 18 mm може да се използва за наблюдения на луната и планетите, а с него можете да наблюдавате и най-различни далечни наземни обекти, като например сгради, кули, антени и други! **Внимание! Окулярът за прав образ 18 mm трябва да се вкара директно във фокусиращото устройство, без diagonalното огледало.**

Diagonalно огледало: Издърпайте окуляра за прав образ и поставете diagonalното огледало във фокусиращото устройство. 7

Окуляр H12,5 mm: След като diagonalното огледало се постави във фокусиращото устройство, вкарайте в него окуляра H12,5 mm. Той осигурява по-голямо увеличение и е страхотен за нощни наблюдения.

Как да започнем да наблюдаваме

**ВНИМАНИЕ! Никога не гледайте на слънцето и небето около него през телескоп!
Може да съсипе зрението и дори да причини слепота!**

Преди да пристъпите към изследването на Космоса, трябва да се научите как да работите с телескопа праз деня. Използвайте окуляра за прав образ 18 mm, за да наблюдавате различни наземни обекти – къщи, дървета, антени по покривите и много други! По този начин ще се научите да контролирате телескопа и да се фокусирате върху желаните обекти. Освен това е страшно забавно! **Внимание! Телескопът трябва да се използва на защитено от вятъра място.**

Когато стигнете до наблюдение на Луната, планетите и звездите през нощта, не забравяйте да избирате места, далеч от уличните лампи, светлините на автомобилите и светлините на прозорците. Опитайте да наблюдавате по време на нощи, когато звездите светят ярко и равномерно.

Насочете телескопа към желаня обект – например Луната. Докато гледате през визьора, бавно придвижете тръбата, докато обектът не застане в центъра. Сега погледнете през окуляра и ще видите изображението на обекта с многократно увеличение!

Когато работите с телескопа, бъдете внимателни и търпеливи. Не го бутайте и не го местете от мястото му. След известно обучение ще се научите да движите тръбата на телескопа, без да губите обекта от полето на окуляра.

Vážení přátelé!

Sada Levenhuk LabZZ MT2 pro děti jim otevírá bránu do úžasného světa vzrušujících vědeckých objevů! Pomocí teleskopu v sadě můžete studovat Měsíc, planety a jasné hvězdy, odhalovat záhady nekonečného vesmíru a pozorovat nejbližší objekty. Naopak mikroskop vám pomůže spatřit to, co jste dosud neměli šanci zahlédnout – věci tak malé, že je prostým okem nemůžete uvidět! Mikroskop v sadě vám pomůže zjistit, z čeho se skládají věci kolem nás a jaké typy záhad se před námi v každodenním životě skrývají. Vaše zážitky se sadou Levenhuk LabZZ MT2 budou poučné i zábavné.

Před zahájením práce s teleskopem nebo mikroskopem si pozorně přečtěte celý návod. Neztraťte jej, může se vám později hodit.

Informace pro rodiče

Vážení dospělí! Nezapomínejte na to, že za své děti vždy odpovídáte vy sami. Při práci s mikroskopem nebo teleskopem neustále dbejte na bezpečnost dítěte. Pozorně si přečtěte celý návod, zejména pokyny týkající se manipulace a údržby. I když je vaše dítě dostatečně staré a dobře čte, zopakujte mu před zahájením práce s přístrojem ještě jednou všechny pokyny. Ujistěte se, že tyto pokyny dobře chápe.

POZOR! NEBEZPEČÍ UDUŠENÍ! Přístroje obsahují malé součásti. Teleskop a mikroskop je určen pro děti ve věku nad 5 let a měly by se používat pouze pod dohledem dospělé osoby.

Péče a údržba (mikroskop a teleskop)

- Nikdy, za žádných okolností se tímto přístrojem nedívejte přímo do slunce, jiného světelného zdroje nebo laseru, neboť hrozí nebezpečí TRVALÉHO POŠKOZENÍ SÍTNICE a případně I OSLEPNUTÍ.
- Používejte výhradně profesionální sluneční filtry, které kompletně překrývají objektiv mikroskopu. Přední strana hledáčku (pointačního dalekohledu) musí být zakryta aluminiovou fólií nebo jiným neprůhledným materiálem, který chrání vnitřní součásti dalekohledu před poškozením. K bezpečnému pozorování slunce doporučujeme používat filtry s optickou hustotou (OD) hodnoty 5,0. Tyto filtry propouštějí pouze 0,001 % slunečního světla a odstiňují zbylých 99,999 %. Nejspolehlivější sluneční filtry se vyrábějí z fólie Baader AstroSolar.
- Při použití tohoto přístroje dětmi nebo osobami, které tento návod nečetly nebo s jeho obsahem nebyly plně srozuměny, uplatněte nezbytná preventivní opatření.
- Všechny součásti teleskopu a mikroskopu jsou dodávány v jediné krabici. Při jejím vybalování postupujte opatrně. Doporučujeme vám uschovat si originální přepravní obaly. V případě, že bude potřeba teleskop přepravit do jiného místa, mohou správné přepravní obaly pomoci předějit jeho poškození při přepravě. Přesvědčte se, zda jsou v obalu všechny součásti.
- Obsah důkladně zkontrolujte, neboť některé součásti jsou malé. Nepokoušejte se přístroj sami rozebírat. S opravami veškerého druhu se obračtejte na své místní specializované servisní středisko.
- Nedotýkejte se svými prsty povrchů optických prvků. K vyčištění vnějších částí přístroje používejte výhradně speciální čisticí ubrousky a speciální nástroje k čištění optiky dodávané společností Levenhuk. K čištění optiky nepoužívejte žádné žiraviny ani kapaliny na acetonové bázi.
- Přístroj chraňte před prudkými nárazy a nadměrným mechanickým namáháním. Při zaostřování nevyvíjejte nadměrný tlak. Neutahujte šrouby konstrukce příliš silně.
- Přístroj ukládejte na suchém, chladném místě, mimo dosah nebezpečných kyselin nebo jiných chemikálií, topných těles, otevřeného ohně a jiných zdrojů vysokých teplot.
- Pokud svůj přístroj nebudete delší dobu používat, uložte čočky objektivu a okuláru odděleně od něho.
- Při pozorování dbejte na opatrnost; po skončení pozorování vždy nasad'te ochranný kryt, abyste přístroj ochránili před prachem a jiným znečištěním.
- Přístroj příliš dlouho nepoužívejte ani neponechávejte bez dozoru na přímém slunci. Chraňte přístroj před stykem s vodou.
- Mikroskop nepoužívejte v blízkosti hořlavých materiálů nebo látek (benzín, papír, lepenka, plast apod.), neboť stativ se může při práci zahřívat a vyvolávat riziko požáru.
- Před otevřením stativu nebo výměnou žárovky osvětlení vždy mikroskop odpojte od zdroje napájení. Bez ohledu na typ žárovky (halogenová nebo obyčejná) ji nechejte před výměnou nějakou dobu vychladnout a vždy ji vyměňujte za žárovku stejného typu.
- Chemické sloučeniny mohou být lidskému zdraví škodlivé. Používejte pouze ty, které jsou uvedeny v návodu. Ujistěte se, zda vaše dítě ví, jak je má správně používat.
- Pracoviště je potřeba udržovat v čistotě a pořádku. S preparáty npracujte v kuchyni a v blízkosti potravin. Prostor by měl být dobře osvětlen. Dále je potřeba zajistit rychlý a pohodlný přístup k čisté vodě.
- Používejte samostatnou nádobu na odpad. Veškeré kapaliny je nutné vylévat přímo do kanalizace, ne do kuchyňské výlevky.
- Barviva: Methylenová modř a oranž methylová. Nepolykejte. Udržujte mimo dosah dětí. V případě požití ihned vyhledejte lékařskou pomoc.
- Lepidlo: Obvykle organický materiál (například na bázi dehtu). Nepolykejte. Udržujte mimo dosah dětí. V případě požití ihned vyhledejte lékařskou pomoc.
- Tato sada obsahuje vše potřebné k montáži, ale budete-li potřebovat další pomůcky, můžete použít základní sadu standardních nástrojů, které má prakticky každý doma.
- Při náhodném požití malé součásti nebo baterie ihned vyhledejte lékařskou pomoc.
- Děti by měly teleskop používat pouze pod dohledem dospělé osoby.

Bezpečnostní pokyny týkající se baterií

- Vždy nakupujte baterie správné velikosti a typu, které jsou nevhodnější pro zamýšlený účel.
- Při výměně vždy nahrazujte celou sadu baterií a dbejte na to, abyste nemíchali staré a nové baterie, případně baterie různých typů.
- Před instalací baterií vyčistěte kontakty na baterii i na přístroji.
- Ujistěte se, zda jsou baterie instalovány ve správné polaritě (+ resp. -).
- V případě, že zařízení nebudete delší dobu používat, vyjměte z něj baterie.
- Použité baterie včas vyměňujte.
- Baterie se nikdy nepokoušejte dobít, mohlo by dojít k úniku obsahu baterie, požáru nebo k explozi.

- Baterie nikdy nezkratujte, mohlo by to vést ke zvýšení teploty, úniku obsahu baterie nebo k explozi.
- Baterie se nikdy nepokoušejte oživit zahříváním.
- Nepokoušejte se rozebírat baterie.
- Po použití nezapomeňte přístroj vypnout.
- Baterie uchovávejte mimo dosah dětí, abyste předešli riziku spolknutí, vdechnutí nebo otravy.
- S použitými bateriemi nakládejte v souladu s vašimi vnitrostátními předpisy.

Vítejte v mikrosvětě!

S mikroskopem Levenhuk LabZZ MT2 uděláte řadu zajímavých objevů a získáte vzrušující vzpomínky! Pamatujte, že je naprosto nezbytné dodržovat bezpečnostní pravidla. V krabici naleznete mikroskop i mnoho užitečného příslušenství. Je všechno na místě? Zkontrolujte to společně s rodiči. **4**

Konstrukce mikroskopu **1**

- 1. Okulár.** Přes okulár pozorujete zvětšený obraz preparátu. Okulár je soustava čoček, která funguje stejně jako lupa.
- 2. Zaostřovací šroub.** Neostrý obraz? Opatrně otáčejte šroubem a seřizujte zaostření, dokud nebudou zřetelné všechny detaily. Postupujte opatrně – šroubem otáčejte pomalu, abyste nepoškodili objektiv nebo pozorovaný preparát.
- 3. Monokulární hlava.** Je velmi důležitou součástí mikroskopu. Světlo putuje tubusem hlavy přímo do okuláru, kde se vytváří výsledný obraz.
- 4. Revolverový nosič objektivů.** Jedná se o zařízení, které nese tři objektivy nabízející různé zvětšení. Chcete-li změnit zvětšení, otočte nosičem, dokud neuslyšíte kliknutí (tento zvuk znamená, že je vybraný objektiv na svém místě).
- 5. Objektiv.** Je potřeba ke zvětšení obrazu. Mikroskop Levenhuk LabZZ MT2 je vybaven třemi objektivy, které nabízejí různé hodnoty zvětšení. V porovnání s tím, co vidíte prostým okem, zvětšují obraz 75x, 300x a 900x.
- 6. Stativ.** Tato zakřivená část mikroskopu spojuje všechny ostatní součásti. Necítíte-li se při pohledu přes okulár pohodlně, stativ nakloňte nebo zvedněte, dokud nebude poloha pohodlnější. Úhel naklonění měňte pomalu, nepoužívejte prudké pohyby.
- 7. Pracovní stolek.** Místo, na které položíte preparát, abyste jej mohli pozorovat.
- 8. Stolek je vybaven dvěma držáky preparátů** které - jak je patrné z jejich názvu – drží preparát na místě.
- 9. Pod pracovním stolem se nachází zrcátko.** To odráží světlo lampy nebo okna a osvětluje preparát na pracovním stolem.
- 10. Osvětlovací těleso.** Pokud nebude osvětlení v místnosti postačující, zapněte otočením zrcátka integrovaný světelný zdroj. **2**
- 11. Prostor pro baterie.** Prostor pro baterie se nachází ve spodní části stativu mikroskopu. K čemu je dobrý? To je jednoduché – vkládají se do něj baterie k napájení osvětlení. Další informace o tom, jak se to provádí, lze nalézt níže.

Práce s mikroskopem

1. Nejprve nainstalujte baterie pro osvětlení. Otočte mikroskop vzhůru nohama a sejměte víčko z prostoru pro baterie. Vložte dvě baterie velikosti AA (nejedná se o nejtenčí tužkové baterie, ale o jednu velikost větší). Baterie vložte ve správné polaritě – značka „+“ na baterii musí odpovídat značce „+“ v prostoru pro baterie (totéž platí i pro značky „-“). **3** Nasad'te zpět víčko. Pokud si něčím nebudete jisti, nestyďte se požádat o pomoc dospělé.
2. Mikroskop postavte na rovný povrch poblíž jasného světelného zdroje (okna nebo lampy). Zrcátko otočte směrem ke světelnému zdroji. Přes okulár byste měli vidět jasný světelný kruh.

DŮLEŽITÉ UPOZORNĚNÍ! Mikroskop nikdy neotáčejte směrem ke Slunci, mohli byste si poškodit zrak nebo dokonce oslepnout.

3. Nyní je mikroskop připraven k použití.
4. Vezměte připravený preparát, položte jej na pracovní stolek a upevněte svorkami.
5. Pootočením revolverové hlavice vyberte objektiv. Mikroskop je vybaven třemi objektivy, které nabízejí různé hodnoty zvětšení. Čím delší je objektiv, tím vyšší hodnotu zvětšení nabízí. Většinu pozorování je vhodné provádět při nižším zvětšení, takže si pro začátek vyberte nejkratší objektiv. Jakmile bude objektiv na svém místě, uslyšíte cvaknutí.
6. Zvolna otáčejte zaostřovacím šroubem tak, aby se krycí sklíčko preparátu téměř dotýkalo čočky objektivu. **ALE!** Objektiv by se nikdy neměl dotknout preparátu, neboť v tom případě by se mohl objektiv i preparát poškodit. Proto musíte vše dělat velmi pomalu a opatrně. Až bude objektiv těsně u sklíčka preparátu (ale nedotkne se jej), podívejte se přes okulár a začněte zaostřovacím šroubem otáčet opačným směrem, dokud nevidíte čistý obraz.

Úžasný teleskop

Konstrukce teleskopu **5**

- 1. Objektiv.** Nejdůležitější součást teleskopu. Objektiv je systém čoček, které zachycují světlo přicházející ze vzdáleného objektu a utvářejí jeho obraz. Objektiv je potřeba vždy namířit směrem k objektu, který chcete pozorovat.
- 2. Optický tubus.** Světelné paprsky zachycené objektivem putují optickým tubusem směrem dolů a vstupují do okuláru.
- 3. Okulár.** Přes okulár se díváte na Měsíc, planety a hvězdy. Okulár mnohonásobně zvětšuje obraz pozorovaného objektu. Proto se všechny objekty jeví větší, než když je pozorujeme pouhým okem.
- 4. Sluneční clona.** Tato clona je krátká trubice umístěná na tubus. Je potřebná k odstínění světla z pouličního osvětlení, reflektorů vozidel, osvětlených oken a jiných blízkých světelných zdrojů, aby neproniklo do objektivu a nezničilo výsledný obraz objektu, který chcete pozorovat.
- 5. Hledáček neboli pointační dalekohled** – jedná se o malý dalekohled připojený k tubusu velkého teleskopu. Hledáček má malé zvětšení a široké zorné pole (to znamená, že můžete v jednom záběru pozorovat velké oblasti). Slouží k tomu, aby vám pomohl jednodušeji a rychleji najít požadovaný objekt. Jakmile objekt zaměříte hledáčkem, můžete jej detailně pozorovat teleskopem.

6. **Držák pointačního dalekohledu** je potřeba k jeho připevnění na tubus teleskopu.
7. **Okulárový výtah** je speciální zařízení, do něhož se vkládá okulár. Okulárový výtah slouží k přiblížení nebo oddálení okuláru od objektivu. Díky tomu můžete dosáhnout maximální čistoty obrazu.
8. Není-li obraz, který vidíte v okuláru čistý, opatrně pootočte **zaostřovacím šroubem**.
9. **Diagonální (neboli zenitové) zrcátko**. Pokud chcete pozorovat objekty vysoko nad hlavou, použijte diagonální (někdy označované jako zenitové) zrcátko, abyste nemuseli příliš zaklánět hlavu. Diagonální zrcátko se vkládá do okulárového výtahu. Odklání světelné paprsky tak, abyste mohli pozorovat v pohodlnější poloze.
10. **Azimutální montáž** je speciální mechanismus, který vám umožňuje vertikální a horizontální natáčení tubusu.
11. **Aretační šroub azimutu** pohybuje tubusem horizontálně.
12. **Aretační šroub elevace** pohybuje tubusem vertikálně.
13. **Regulace přesného nastavení**. Teleskop je velmi citlivý přístroj. Proto potřebujete regulaci přesného nastavení, která slouží k přesnějšímu zaměření. Tato regulace umožňuje naprosto plynulý pohyb tubusu, bez trhavých skoků.
14. **Stolní stativ**. Teleskop by měl být velmi stabilní, aby se pozorovaný obraz netřásl. Proto se tubus instaluje na speciální opěrné zařízení – stativ.

Jak sestavit svůj teleskop 6

Aby teleskop pracoval tak, jak má, je velmi důležité jej správně sestavit. Teleskop si řádně prohlédněte. Zkuste si zapamatovat názvy jeho jednotlivých částí, kam příslušná součást patří a k čemu je potřeba. Při sestavování teleskopu je lepší využít pomoci dospělé osoby.

1. Otevřete krabici a vyndejte z ní všechny součásti. Prázdnou krabici ještě jednou zkontrolujte – mohou v ní stále být některé drobné součástky.
2. Roztáhněte nohy stativu a umístěte jej na rovném povrchu, aby byl stabilní.
3. Na teleskopu vyhledejte montážní šroub (nachází se dole). Uvolněte jej a položte teleskop na montáž. Šroub vložte do otvorů na teleskopu a na montáži. Opatrně jej utáhněte. **Pozor! Šroub neutahujte příliš napevno, mohli byste nechtěně poškodit závit šroubu.**
4. Uvolněte montážní šrouby hledáčku nasuňte jej na patici hledáčku. Šrouby opatrně utáhněte. Hledáček je třeba umístit tak, aby mířil stejným směrem jako tubus teleskopu.

Práce s teleskopem

Před zahájením pozorování je velmi důležité správně instalovat okuláry a další součásti.

Okulárový výtah: Zaostřovacím šroubem otáčejte směrem k teleskopu až na doraz. Pak šroubem začněte otáčet směrem k sobě, dokud nebude obraz jasný. **Pozor! Před zaostřováním obrazu (úpravou jeho ostrosti) se ujistěte, zda je v okulárovém výtahu vložen okulár. V opačném případě žádný obraz nevidíte.**

Okulár 18 mm: V krabici s teleskopem naleznete dva okuláry. Čím menší je číslo na okuláru, tím vyšší hodnoty zvětšení nabízí. Pozorování doporučujeme zahájit pomocí okuláru s malým zvětšením a širokým zorným polem. Vzpřimovací okulár 18 mm lze použít k pozorování Měsíce a planet, ale i velkého počtu pozemských objektů, například budov, věží, antén a dalších. **Pozor! Vzpřimovací okulár 18 mm se vkládá přímo do okulárového výtahu, bez diagonálního zrcátka.**

Diagonální zrcátko: Vytáhněte vzpřimující okulár a do okulárového výtahu vložte diagonální zrcátko.

Okulár H12,5 mm: Po vložení diagonálního zrcátka do okulárového výtahu vložte okulár H12,5 mm. Nabízí vyšší zvětšení a je vynikající pro pozorování v noci.

Jak zahájit pozorování

DŮLEŽITÉ UPOZORNĚNÍ! Přes teleskop se nikdy nedívejte přímo do Slunce nebo jeho bezprostředního okolí! Mohlo by dojít k poškození vašeho zraku nebo dokonce oslepnutí!

Než začnete zkoumat vesmír, měli byste se naučit teleskop obsluhovat během dne. Pomocí vzpřimujícího okuláru 18 mm pozorujte pozemské objekty – budovy, stromy, antény na střeších a řadu dalších! Tak se naučíte teleskop ovládat a zaostřovat na požadované objekty. A navíc je to skvělá zábava! **Pozor! Teleskop používejte v místě chráněném před větrem.**

Až se dostanete k pozorování Měsíce, planet a hvězd na obloze, nezapomeňte si vybrat místo co nejdále od pouličního osvětlení, reflektorů automobilů a svítících oken. Pozorování provádějte hlavně během noci, kdy hvězdy září jasně a rovnoměrně.

Teleskop namiřte na požadovaný objekt, například Měsíc. Dívejte se do pointačního dalekohledu a přitom pomalu pohybujte tubusem, dokud nebude objekt ve středu zorného pole. A teď se podívejte do okuláru a uvidíte v něm mnohonásobně zvětšený obraz objektu!

Při práci s teleskopem postupujte opatrně a trpělivě. Neopírejte se o něj a nepřemisťujte jej. Po určitém tréninku se naučíte tubusem teleskopu pohybovat tak, abyste pozorovaný objekt neztratili ze zorného pole okuláru.

Hallo, junger Entdecker!

Das Levenhuk LabZZ MT2 Set für Kinder ist deine Eintrittskarte in eine faszinierende Welt voll von spannenden wissenschaftlichen Entdeckungen. Mit dem Teleskop aus dem Set kannst du den Mond, die Planeten und tausende Sterne studieren, die Geheimnisse des Weltalls entdecken und Dinge beobachten, die sehr weit von dir entfernt sind. Und mit dem Mikroskop kannst du Dinge sichtbar machen, die so klein sind, dass du sie mit bloßem Auge gar nicht sehen kannst. Finde heraus, woraus die Gegenstände aus unserem Alltag bestehen und welche Geheimnisse sie normalerweise vor uns verbergen. Mit dem Levenhuk LabZZ MT2 Set wirst du viel Neues lernen und ebenso viel Spaß haben.

Bitte lies diese Anleitung sorgfältig von Anfang bis Ende durch, bevor du etwas mit dem Teleskop oder Mikroskop unternimmst. Verliere diese Anleitung nicht, vielleicht brauchst du sie später noch einmal.

Informationen für Eltern

Liebe Erwachsene! Bitte denken Sie daran, dass Sie immer die Verantwortung für Ihr Kind tragen. Sorgen Sie immer für die Sicherheit Ihres Kindes, wenn es sich mit dem Mikroskop oder Teleskop beschäftigt. Lesen Sie die gesamte Anleitung sorgfältig durch, insbesondere die Hinweise zu Bedienung und Pflege. Auch wenn Ihr Kind schon gut lesen kann, sollten Sie alle Regeln ein weiteres Mal laut vorlesen, bevor Ihr Kind das Mikroskop selbst benutzen darf. Achten Sie darauf, dass Ihr Kind die Anweisungen auch versteht.

VORSICHT! ERSTICKUNGSGEFAHR! Die Instrumente enthalten verschluckbare Kleinteile. Das Teleskop und das Mikroskop sind für Kinder ab 5 Jahren gemacht und dürfen nur unter der Aufsicht Erwachsener benutzt werden.

Pflege und Wartung (Mikroskop und Teleskop)

- Richten Sie das Instrument unter keinen Umständen direkt auf die Sonne, andere helle Lichtquellen oder Laserquellen. Es besteht die Gefahr DAUERHAFTER NETZZHAUTSCHÄDEN und ERBLINDUNGSGEFAHR.
- Vorsicht bei Sonnenbeobachtungen: Ausschließlich professionelle Sonnenblendenfilter verwenden, die die Vorderseite des Instruments vollständig bedecken. Die Vorderseite des Sucherrohrs muss mit Aluminiumfolie oder einem anderen undurchsichtigen Material abgedeckt werden, damit die inneren Komponenten des Teleskops nicht beschädigt werden. Wir empfehlen Filter mit einer optischen Dichte (OD) von 5,0; solche Filter lassen nur 0,001 % des Sonnenlichts durch; die übrigen 99,999 % werden abgeblockt. Zuverlässige Sonnenfilter bestehen häufig aus Baader AstroSolar Folie.
- Treffen Sie geeignete Vorsichtsmaßnahmen, wenn Kinder oder Menschen das Instrument benutzen, die diese Anleitung nicht gelesen bzw. verstanden haben.
- Alle Teile des Teleskops und Mikroskops werden in einer Schachtel ausgeliefert. Vorsichtig auspacken und Original-Versandverpackung aufbewahren. Sollte später ein Transport des Teleskops an einen anderen Standort notwendig werden, trägt die Versandverpackung dazu bei, dass das Teleskop wohlbehalten ankommt. Lieferumfang auf Vollständigkeit prüfen, dazu sorgfältig in der Schachtel nachsehen, da einige Teile klein sind.
- Versuchen Sie nicht, das Instrument eigenmächtig auseinanderzunehmen. Wenden Sie sich für Reparaturen an ein spezialisiertes Servicecenter vor Ort.
- Berühren Sie die optischen Oberflächen nicht mit den Fingern. Verwenden Sie zur äußerlichen Reinigung des Instruments ausschließlich die speziellen Reinigungstücher und das spezielle Optik-Reinigungszubehör von Levenhuk. Reinigen Sie die Optik nicht mit korrodierenden Flüssigkeiten oder Flüssigkeiten auf Acetonbasis.
- Schützen Sie das Instrument vor plötzlichen Stößen und anderen mechanischen Belastungen. Üben Sie beim Fokussieren keinen übermäßigen Druck aus. Wenden Sie keine übermäßige Kraft auf die Feststellschrauben und Fixierungsschrauben an.
- Lagern Sie das Instrument an einem trockenen, kühlen Ort, der frei von Staub, gefährlichen Säuren und anderen Chemikalien ist, und in ausreichendem Abstand zu Heizgeräten, offenem Feuer und anderen Hochtemperaturquellen.
- Bewahren Sie bei längeren Phasen der Nichtbenutzung die Objektivlinsen und Okulare getrennt vom Mikroskop oder Teleskop auf.
- Lassen Sie Sorgfalt bei der Beobachtung walten und setzen Sie nach Abschluss der Beobachtung die Staubabdeckung wieder auf, um das Instrument vor Staub und Verschmutzungen zu schützen.
- Das Instrument ist nicht für Dauerbetrieb ausgelegt. Lassen Sie das Instrument nicht in direktem Sonnenlicht zurück. Halten Sie das Instrument von Wasser und hoher Feuchtigkeit fern.
- Setzen Sie das Mikroskop nach Möglichkeit nicht in der Nähe brennbarer Materialien oder Substanzen (Benzen, Papier, Karton, Plastik usw.) ein, da sich der Sockel bei der Verwendung erhitzen kann und dies bei Anwesenheit brennbarer Stoffe ein Brandrisiko darstellt.
- Trennen Sie das Mikroskop immer vom Strom, bevor Sie den Sockel öffnen oder die Beleuchtungslampe austauschen. Lassen Sie sowohl Glühlampen als auch Halogenlampen vor dem Auswechseln zunächst abkühlen, und ersetzen Sie sie stets durch Lampen desselben Typs.
- Die Chemikalien sind möglicherweise gesundheitsschädlich. Nur gemäß Anweisungen aus der Anleitung verwenden. Achten Sie darauf, dass Ihr Kind den korrekten Umgang damit kennt.
- Ein sauberer und aufgeräumter Arbeitsplatz ist wichtig. Nicht in der Küche oder in der Nähe von Nahrungsmitteln mit den Proben arbeiten. Der Arbeitsbereich sollte gut beleuchtet sein. Ein Wasserhahn mit sauberem Wasser muss jederzeit schnell und einfach zugänglich sein.
- Abfälle in einem separaten Mülleimer entsorgen. Alle Flüssigkeiten müssen über die Kanalisation entsorgt werden, jedoch nicht über Spül- oder Waschbecken.
- Farbstoffe: Methylenblau und Methylorange. Nicht verschlucken. Außerhalb der Reichweite von Kindern aufbewahren. Bei Verschlucken sofort ärztliche Hilfe suchen.
- Klebstoff: In der Regel organisch (zum Beispiel Pech). Nicht verschlucken. Außerhalb der Reichweite von Kindern aufbewahren. Bei Verschlucken sofort ärztliche Hilfe suchen.
- Im Lieferumfang befindet sich alles, was zur Montage benötigt wird. Bei Bedarf können aber auch haushaltsübliche Werkzeuge benutzt werden.
- Bei Verschlucken eines Kleinteils oder einer Batterie umgehend ärztliche Hilfe suchen!
- Kinder dürfen das Teleskop nur unter Aufsicht Erwachsener verwenden.

Sicherheitshinweise zum Umgang mit Batterien

- Immer die richtige, für den beabsichtigten Einsatz am besten geeignete Batteriegröße und -art erwerben.
- Stets alle Batterien gleichzeitig ersetzen. Alte und neue Batterien oder Batterien verschiedenen Typs nicht mischen.
- Batteriekontakte und Kontakte am Instrument vor Installation der Batterien reinigen.
- Beim Einlegen der Batterien auf korrekte Polung (+ und -) achten.

- Batterien entnehmen, wenn das Instrument für einen längeren Zeitraum nicht benutzt werden soll.
- Verbrauchte Batterien umgehend entnehmen.
- Primärbatterien nicht wieder aufladen! Beim Aufladen von Primärbatterien können diese austaufen; außerdem besteht Feuer- und Explosionsgefahr.
- Batterien nicht kurzschließen, um Hitzeentwicklung, Auslaufen oder Explosionen zu vermeiden.
- Batterien dürfen nicht zum Wiederbeleben erwärmt werden.
- Batterien nicht öffnen.
- Instrumente nach Verwendung ausschalten.
- Batterien für Kinder unzugänglich aufbewahren, um Verschlucken, Ersticken und Vergiftungen zu vermeiden.
- Entsorgen Sie leere Batterien gemäß den einschlägigen Vorschriften.

Willkommen in der Welt des Mikrokosmos!

Mit dem Levenhuk-Mikroskop LabZZ MT2 kannst du viele interessante Entdeckungen machen und aufregende Eindrücke sammeln. Bitte denk aber immer daran, dass du unbedingt die Sicherheitsregeln befolgen musst. Im Set findest du das Mikroskop und viel nützliches Zubehör. Ist alles vollständig? Überprüfe das zusammen mit deinen Eltern.

Dein Mikroskop ①

1. **Okular.** Im Okular siehst du das vergrößerte Bild der Probe. Das Okular ist ein Linsensystem, das wie eine Lupe funktioniert.
2. **Fokussierrad.** Ist das Bild unscharf? Dann dreh vorsichtig am Fokussierrad, bis du alles scharf siehst. Sei vorsichtig und dreh nur langsam am Rad, damit Objektiv und der Objektträger nicht beschädigt werden.
3. **Monokularkopf.** Dies ist ein sehr wichtiger Teil des Mikroskops. Das Licht läuft durch den Tubus des Kopfs hinauf direkt in das Okular, wo das Bild entsteht, das du siehst.
4. **Objektivrevolver.** Am Objektivrevolver befinden sich drei Objektive mit unterschiedlichen Vergrößerungen. Drehe am Objektivrevolver, bis er klickt. Am Klicken hörst du, dass das Objektiv, das du gewählt hast, richtig eingerastet ist.
5. **Objektiv.** Das Objektiv wird benötigt, um das Bild zu vergrößern. Das Levenhuk-Mikroskop LabZZ MT2 hat drei Objektive mit unterschiedlichen Vergrößerungen. Sie machen das Bild 75, 300 oder 900 Mal so groß wie das, was du mit dem bloßen Auge siehst.
6. **Stativgriff.** Dieser gebogene Teil des Mikroskops verbindet die übrigen Teile miteinander. Du kannst den Stativgriff abkippen oder anheben, um bequemer ins Okular blicken zu können. Verändere den Neigungswinkel langsam, ohne abrupte Bewegungen.
7. **Objekttisch.** Auf ihn legst du den Objektträger, um die Probe darauf zu beobachten.
8. Der Objekttisch hat zwei **Probenhalter**, mit denen die Objektträger festgeklemmt werden.
9. Der **Spiegel** befindet sich unter dem Objekttisch. Er spiegelt Licht von einer Lampe oder einem Fenster und beleuchtet so die Probe auf dem Objekttisch.
10. **Beleuchtungslampe.** Wenn es in deinem Zimmer nicht hell genug ist, kannst du die eingebaute Beleuchtung einschalten. Drehe dazu den Spiegel um. ②
11. **Batteriefach.** Das Batteriefach befindet sich im Fuß des Mikroskops. Hier musst du die Batterien einlegen, damit die Beleuchtung funktioniert. Wie das geht, steht unten.

So benutzt du dein Mikroskop

1. Zuerst musst du die Batterien für die Beleuchtung einlegen. Dreh das Mikroskop um und nimm den Deckel des Batteriefachs ab. Leg zwei AA-Batterien ein (das sind die etwas größeren länglichen Batterien, man nennt sie auch Mignon-Zellen). Achte beim Einlegen auf die Polarität! Das „+“-Zeichen auf der Batterie muss auf der Seite sein, auf der auch ein „+“-Zeichen im Fach ist (das „-“-Zeichen gehört auf die andere Seite). ③ Setz den Deckel wieder auf. Bitte einen Erwachsenen um Hilfe, wenn du dir nicht sicher bist.
2. Stell das Mikroskop auf einer geraden Unterlage in der Nähe einer Lichtquelle auf (zum Beispiel am Fensters oder bei einer Lampe). Richte den Spiegel auf die Lichtquelle. Du solltest jetzt einen hellen Lichtfleck im Okular sehen.

**VORSICHT! Richte den Spiegel nie (NIE!) direkt auf die Sonne.
Das ist GANZ gefährlich – du kannst SOFORT blind werden!**

3. Jetzt ist das Mikroskop bereit.
4. Nimm einen der Objektträger mit einer Probe darauf, leg ihn auf den Objekttisch und befestige ihn mit den Klemmen.
5. Wähl ein Objektiv, indem du am Objektivrevolver drehst. Das Mikroskop hat drei Objektive mit unterschiedlichen Vergrößerungen. Je länger das Objektiv, desto stärker vergrößert es. Die meisten Beobachtungen klappen zunächst besser bei niedriger Vergrößerung. Wähl also am Anfang das kürzeste Objektiv aus. Du hörst einen deutlichen Klick, wenn das Objektiv richtig einrastet.
6. Dreh nun langsam am Fokussierrad, bis das Objektiv ganz nah am Objektträger ist. **ACHTUNG! Das Objektiv darf den Objektträger aber nicht berühren!** Dabei können Objektträger und Objektiv zu Bruch gehen! Deswegen musst du alles ganz langsam und sorgfältig machen. Wenn das Objektiv nah am Objektträger ist (ihn aber noch nicht berührt!), schaust du durch das Okular. Dreh jetzt das Fokussierrad sehr langsam in die entgegengesetzte Richtung, bis das Bild scharf wird.

Entdecke die Wunder der Astronomie!

Dein Teleskop ⑤

1. **Objektiv.** Der wichtigste Teil eines Linsenteleskops. Das Objektiv besteht aus Linsen, die das Licht weit entfernter Dinge sammeln und ein Bild daraus entstehen lassen. Das Objektiv muss auf das Objekt zeigen, das du beobachten möchtest.
2. **Optischer Tubus.** Die Lichtstrahlen werden vom Objektiv (der großen Linse) gesammelt, laufen anschließend weiter durch den Teleskoptubus, danach erreichen sie das Okular (die kleine Linse, durch die du schaust).

3. **Okular.** Um den Mond, die Planeten und die Sterne zu sehen, musst du ins Okular schauen. Das Okular ist die kleine Linse, die du hinten oder an der Seite in das Teleskop stecken kannst. Dieses Okular vergrößert das Bild sehr stark. Deswegen sieht alles größer aus, als wenn du es mit dem bloßen Auge beobachtest.
4. **Gegenlichtblende.** Diese Blende ist ein kurzes Rohr, das auf das Objektiv gesteckt wird. Es verhindert, dass Licht von Straßenlaternen, Autoscheinwerfern, Fenstern und anderen Lichtquellen in der Nähe ins Objektiv eindringt und dort das Bild verschlechtert, das du eigentlich beobachten wolltest. Übrigens schützt die Taukappe auch davor, dass das Objektiv deines Teleskops schnell beschlägt, sich feiner Wassernebel darauf absetzt. Dieses Wasser nennt man Tau - und deswegen heißt die Taukappe auch Taukappe.
5. **Sucherteleskop:** Ein kleines Teleskop, das außen am Tubus des großen Teleskops befestigt wird. Das Sucherrohr hat eine geringe Vergrößerung, dafür kannst du aber eine Menge um den Mittelpunkt herum sehen. So kannst du auch größere Bereiche auf einmal sehen. Das Sucherrohr hilft dir, das gesuchte Objekt schneller und einfacher zu finden. Zuerst peilst du das Objekt über das Sucherteleskop an und bringst es genau in die Mitte. Danach schaust du durch das Okular - und kannst das Objekt jetzt stark vergrößert mit allen Einzelheiten studieren.
6. **Sucherteleskop-Halterung:** Hier wird das kleine Sucherteleskop am Teleskoptubus angebracht.
7. **Fokussierer (Scharfsteller):** Eine bewegliche Halterung, in die das Okular eingesetzt wird. Daran befindet sich das Fokusrad, das den Abstand zwischen Teleskop und Okular ein klein wenig verändert. Durch Drehen an diesem Fokusrad stellst du das Bild scharf ein.
8. Wenn das Bild im Okular unscharf ist, drehe vorsichtig am **Fokussierrad**.
9. **Zenitspiegel (Diagonalspiegel).** Wenn ein Objekt ganz hoch am Himmel (den höchsten Punkt am Himmel nennt man Zenit) steht, müsstest du dich bei einem Linsenteleskop ganz tief bücken oder sogar auf den Boden legen, um durch das Okular schauen zu können. Ganz schön unbequem. Dafür gibt es den Zenitspiegel. Der Zenitspiegel dreht das Bild und sorgt dafür, dass du von der Seite durch das Okular schauen kannst. Dazu setzt du einfach den Zenitspiegel in den Fokussierer ein, danach das Okular in den Fokussierer.
10. **Altazimut-Montierung.** Eine spezielle Halterung für den Teleskoptubus, mit der du das Teleskop nach oben, unten, links und rechts drehen kannst.
11. Die **Azimuth-Arretierung** erlaubt horizontale Bewegungen des Tubus.
12. Die **Höhenwinkel-Arretierung** erlaubt vertikale Bewegungen des Tubus.
13. **Feinabstimmung.** Das Teleskop ist ein sehr empfindliches Instrument. Um es genau auszurichten, benötigst du die Feinabstimmung. Mit diesem Regler kannst du den Teleskoptubus sehr leichtgängig und ohne Ruckeln bewegen.
14. **Tischstativ:** Damit das Bild möglichst wenig wackelt, muss das Teleskop stabil aufgestellt werden. Dafür (und dafür, dass die Höhe so stimmt, dass du bequem hindurchschauen kannst) sorgt das Stativ.

So baust du dein Teleskop zusammen 6

Es ist sehr wichtig, das Teleskop richtig zusammenzubauen, damit alles korrekt funktioniert. Sieh dir das Teleskop in Ruhe an. Versuche, dir die Namen seiner Teile zu merken. Finde heraus, wofür sie da sind und wo sie hingehören. Am besten lässt du dir beim Zusammenbau von einem Erwachsenen helfen.

1. Öffne die Schachtel, hol alle Teile heraus und leg sie ordentlich auf einen Tisch. Schau dir die leere Schachtel anschließend noch einmal gut an - es könnten sich noch kleine Teile darin verbergen.
2. Achte darauf, dass das Stativ möglichst gerade steht. Dazu muss der Boden natürlich eben sein.
3. Finde die Montierungsschraube unten am Teleskop. Drehe sie heraus und setze das Teleskop auf die Montierung. Führe die Schraube durch die Öffnungen in Montierung und Teleskop wieder ein und ziehe sie vorsichtig fest. **ACHTUNG! Zieh die Schrauben nicht zu fest an, nicht mit Gewalt! Wenn sich die Schrauben nur noch schwer drehen lassen, reicht das. Wenn du noch weiter drehst, kann etwas kaputtgehen.**
4. Löse die Halteschrauben am Sucherteleskop, schieb das kleine Teleskop in die Sucherteleskop-Halterung. Zieh die Halteschrauben wieder handfest an. Vergiss nicht, dass die große Linse des Sucherteleskops nach vorne zeigen muss.

So benutzt du dein Teleskop

Bevor du etwas mit dem Teleskop beobachten kannst, ist es wichtig, die Okulare und alle anderen Teile korrekt einzustellen.

Fokussierer: Dreh das Fokussierrad in Richtung des Teleskops, bis du den Anschlag erreichst. Dreh dann das Rad langsam wieder zu dir, bis das Bild scharf ist. **ACHTUNG! Bevor du das Bild scharfstellst, musst du ein Okular in den Fokussierer einsetzen.** Sonst siehst du kein Bild.

18-mm-Okular: In der Schachtel mit dem Teleskop findest du zwei Okulare. Je kleiner die Zahl auf dem Okular ist, desto größer ist seine Vergrößerung. Es ist besser, zu Beginn einer Beobachtung ein Okular mit niedriger Vergrößerung (also hoher Zahl) und weitem Sichtfeld zu benutzen. Das 18-mm-Okular mit Bildaufrichter eignet sich zum Beobachten von Mond und Planeten. Du kannst damit auch viele weit entfernte Objekte auf der Erde beobachten - Gebäude, Türme, Antennen und so weiter. Mit diesem Okular erscheint alles richtig herum, zum Beispiel ist das Dach von Gebäuden oben. Bei anderen Okularen steht das Bild auf dem Kopf. Natürlich kannst du aber auch den Mond und andere Dinge am Himmel damit beobachten. **ACHTUNG! Das 18-mm-Okular mit Bildaufrichter wird ohne Diagonalspiegel benutzt und direkt in den Fokussierer eingesetzt.**

Zenitspiegel: Wenn du den Zenitspiegel benutzen möchtest, musst du zuerst das 18-mm-Okular herausnehmen, dann den Zenitspiegel einsetzen. 7

H12,5-mm-Okular: Setz zunächst den Diagonalspiegel in den Fokussierer ein. Setz dann das H12,5-mm-Okular in den Diagonalspiegel. Es bietet eine höhere Vergrößerung und eignet sich großartig für Beobachtungen bei Nacht.

Tipps für die ersten Beobachtungen mit dem Teleskop

VORSICHT! Schau nie (NIE!!!) mit dem Teleskop direkt in die Sonne oder auf den Himmel in der Nähe der Sonne! Das ist BRANDGEFÄHRLICH – du kannst sofort blind werden oder Augenschäden bekommen, die sich nicht mehr heilen lassen! Deswegen heißt hier NIE auch wirklich NIE! Benutz auch NIE sogenannte „Sonnenfilter“ oder ähnlichen gefährlichen Unsinn!

Bevor du dich auf den Weg machst, das Weltall zu erkunden, solltest du dich bei Tageslicht mit der Bedienung deines Teleskops bekannt machen. Beobachte mit dem 18-mm-Okular mit Bildaufrichter (dem Aufrechtokular) verschiedene Dinge auf der Erde - Häuser, Bäume, Antennen auf den Hausdächern und so weiter. Dabei übst du, das Teleskop zu beherrschen und es auf das Objekt scharfzustellen, das du beobachten möchtest. Außerdem kannst du eine Menge Spaß dabei haben!

ACHTUNG! Stell das Teleskop an einem windgeschützten Ort auf. Wenn es windig ist, frierst du schnell - außerdem fängt das Teleskop an zu wackeln.

Wenn du dich später daran machst, den Mond, die Planeten und die Sterne bei Nacht zu beobachten, solltest du das Mikroskop weit entfernt von Straßenlaternen, Scheinwerferlicht oder erleuchteten Fenstern aufstellen. Such dir eine Nacht aus, in der die Sterne hell leuchten und nicht (oder nur ganz wenig) flackern.

Richte das Teleskop auf das Objekt, das du beobachten möchtest, zum Beispiel auf den Mond. Schau dann durch das Sucherteleskop und beweg den Tubus vorsichtig, bis das Objekt genau in der Mitte ist. Wenn alles geklappt hat, solltest du das Bild des Objekts sehen - aber um ein Vielfaches größer.

Gehe vorsichtig mit dem Teleskop um, lass es ruhig angehen. Vermeide Stöße gegen das Teleskop, schiebe es nicht herum. Nach einiger Übungszeit wirst du herausfinden, wie du den Teleskoptubus bewegen kannst, ohne das beobachtete Objekt im Okular aus dem Blickfeld im Okular zu verlieren.

Querido amigo:

¡El kit Levenhuk LabZZ MT2 para niños te descubrirá un mundo fascinante de interesantes descubrimientos científicos! El telescopio del kit permite estudiar la Luna, los planetas y las estrellas brillantes; descifrar los misterios del cosmos infinito y observar objetos lejanos. Por otra parte, el microscopio te ayudará a ver lo invisible, aquellas cosas tan pequeñas que no pueden verse con el ojo desnudo. Este microscopio ayuda a averiguar de qué están hechas las cosas que nos rodean y los secretos que esconde la vida a nuestro alrededor, de forma que la experiencia con el kit Levenhuk LabZZ MT2 es al mismo tiempo instructiva y entretenida.

Lee con atención el manual completo antes de utilizar el telescopio o el microscopio y no lo pierdas, ya que es posible que lo necesites más adelante.

Información para los padres

Apreciado adulto: Recuerde que es responsable de la seguridad de sus hijos en todo momento. Asegúrese de que sus hijos siempre trabajen con el microscopio o con el telescopio de forma segura. Lea el manual completo detenidamente, especialmente en lo que se refiere a las instrucciones de mantenimiento y de manipulación. Aunque su hijo sea mayor y lea bien, repita con él todas las reglas en voz alta de nuevo antes de empezar a trabajar con los instrumentos y asegúrese de que su hijo o hija entienda claramente estas instrucciones.

¡PRECAUCIÓN! ¡HAY RIESGO DE ASFIXIA! Estos instrumentos contienen piezas pequeñas. El telescopio y el microscopio están diseñados para niños de más de 5 años y solamente deben usarse bajo la supervisión de un adulto.

Cuidado y mantenimiento (microscopio y telescopio)

- Nunca, bajo ninguna circunstancia, mire directamente al sol, a otra fuente de luz intensa o a un láser a través de este instrumento, ya que esto podría causar DAÑO PERMANENTE EN LA RETINA y CEGUERA.
- Utilice únicamente filtros solares profesionales que cubran por completo la parte frontal del instrumento. Es necesario cubrir el extremo frontal del buscador con aluminio o con otro material no transparente para evitar que se dañen las piezas del interior del telescopio. Para observar el Sol con seguridad, recomendamos utilizar filtros con una densidad óptica (DO) de 5,0. Este tipo de filtros solamente transmiten un 0,001 % de la luz del Sol, bloqueando el restante 99,999 %. Los filtros solares más fiables están fabricados con láminas Baader AstroSolar.
- Tome las precauciones necesarias si utiliza este instrumento acompañado de niños o de otras personas que no hayan leído o que no comprendan totalmente estas instrucciones.
- Todas las piezas del telescopio y del microscopio se entregan en una caja. Desempaquételas con cuidado. Recomendamos que guarde los recipientes utilizados en el envío. Así, si necesita enviar el telescopio de nuevo a otro sitio, podrá utilizar los recipientes originales para enviarlo, lo que asegurará que su telescopio resista el viaje intacto. Asegúrese de que en la caja estén todas las piezas. Revise cuidadosamente toda la caja, ya que algunas de las piezas son pequeñas.
- No intente desmontar el instrumento usted mismo bajo ningún concepto, ni siquiera para limpiar el espejo. Si necesita repararlo o limpiarlo, contacte con el servicio técnico especializado que corresponda a su zona.
- No toque las superficies ópticas con los dedos. Para limpiar el exterior del instrumento, utilice únicamente los paños y herramientas de limpieza especiales de Levenhuk. No limpie las superficies ópticas con fluidos corrosivos ni a base de acetona.
- Proteja el instrumento de impactos súbitos y de fuerza mecánica excesiva. No aplique una presión excesiva al ajustar el foco. No apriete demasiado los tornillos de bloqueo.
- Guarde el instrumento en un lugar seco y fresco, alejado de ácidos peligrosos y otros productos químicos, radiadores, de fuego y de otras fuentes de altas temperaturas.
- Si no va a utilizar el instrumento durante periodos largos de tiempo, guarde las lentes del objetivo y los oculares por separado del instrumento.
- Tenga cuidado durante las observaciones y cuando termine recuerde volver a colocar la cubierta para proteger el instrumento del polvo y las manchas.
- No utilice este instrumento durante periodos largos de tiempo ni lo deje sin atender bajo la luz directa del sol. Protéjalo del agua y la alta humedad.
- Cuando uses el microscopio intenta no hacerlo cerca de materiales o sustancias inflamables (benceno, papel, cartón, plástico, etc.) ya que la base puede calentarse con el uso y suponer un riesgo de incendio.
- Desconecta siempre el microscopio de la fuente de alimentación antes de abrir la base o cambiar la bombilla. Independientemente del tipo de lámpara (halógena o incandescente), dale tiempo de enfriarse antes de cambiarla y sustitúyela siempre por otra del mismo tipo.
- Los productos químicos pueden ser dañinos para la salud de las personas. Utilice solamente los productos químicos especificados en el manual del usuario y asegúrese de que su hijo sabe cómo utilizarlos correctamente.
- La zona de trabajo debe mantenerse limpia y ordenada. No trabaje con muestras en la cocina, cerca de la comida. La zona de trabajo ha de estar bien iluminada. Cuando trabaje, también debe tener acceso rápido y práctico a agua limpia.
- Utilice un recipiente independiente para los materiales que vaya desechando al trabajar. Todos los líquidos deben desecharse en el desagüe, no por la pila ni por el lavabo.
- Tintes: Azul de metileno y naranja de metilo. No ingerir. Manténgalos fuera del alcance de los niños. En caso de ingestión, contacte inmediatamente con un servicio médico.
- Pegamentos: Normalmente material orgánico (por ejemplo, resina). No ingerir. Manténgalos fuera del alcance de los niños. En caso de ingestión, contacte inmediatamente con un servicio médico.
- El kit contiene todo lo necesario para montarlo, pero si fueran necesarias herramientas adicionales, sería suficiente con las herramientas básicas que prácticamente todo el mundo tiene en casa.
- En el caso de que alguien se trague una pieza pequeña o una pila, busque ayuda médica inmediatamente.
- Los niños únicamente deben utilizar este telescopio bajo la supervisión de un adulto.

Instrucciones de seguridad para las pilas

- Compre siempre las pilas del tamaño y grado indicado para el uso previsto.
- Reemplace siempre todas las pilas al mismo tiempo. No mezcle pilas viejas y nuevas, ni pilas de diferentes tipos.
- Limpie los contactos de las pilas y del instrumento antes de instalarlas.
- Asegúrese de instalar las pilas correctamente según su polaridad (+ y -).

- Quite las pilas si no va a utilizar el instrumento durante un periodo largo de tiempo.
- Retire lo antes posible las pilas agotadas.
- No intente nunca recargar pilas primarias (pilas de un solo uso) ya que podría provocar fugas, fuego u una explosión.
- No cortocircuite nunca las pilas ya que podría aumentar su temperatura y podría provocar fugas o una explosión.
- Nunca caliente las pilas para intentar reavivarlas.
- No desmonte las pilas.
- Recuerde apagar el instrumento después de usarlo.
- Mantenga las pilas fuera del alcance de los niños para eliminar el riesgo de ingestión, asfixia o envenenamiento.
- Deseche las pilas usadas tal como lo indiquen las leyes de su país.

¡Bienvenido al micromundo!

¡Con el microscopio Levenhuk LabZZ MT2 descubrirás muchas cosas interesantes y crearás emocionantes recuerdos! Recuerda que es muy importante seguir las normas de seguridad. En el kit encontrarás el microscopio, así como muchos accesorios útiles. ¿Está todo en su sitio? Compruébalo con tus padres. 4

Diseño del microscopio 1

1. **Ocular.** La muestra se observa a través del ocular. El ocular es un sistema de lentes que funciona igual que lo hace una lupa.
2. **Tornillo de enfoque.** ¿Las imágenes aparecen borrosas? Rota el tornillo con cuidado, ajustando el enfoque hasta que todos los detalles de la imagen aparezcan nítidos. Ten cuidado, rota el tornillo despacio para no dañar el objetivo ni el portaobjetos que estás observando.
3. **Cabezal monocular.** Esta es una parte muy importante del microscopio. La luz viaja por el interior del tubo del cabezal hasta llegar directamente al ocular, que es donde se forma la imagen.
4. **Revólver.** Es un elemento que contiene tres objetivos de diferentes aumentos. Para cambiar los aumentos, gira el revólver hasta que oigas un clic (el sonido indica que el objetivo seleccionado está correctamente colocado).
5. **Objetivo.** La función de los objetivos es ampliar el tamaño de las imágenes. El microscopio Levenhuk LabZZ MT2 cuenta con tres objetivos de diferentes aumentos. Estos objetivos aumentan el tamaño de las imágenes 75, 300 y 900 veces respecto a lo que se vería con el ojo desnudo.
6. **Soporte.** Esta es la parte curva del microscopio que une todas las piezas. Si te resulta incómodo mirar a través del ocular, inclina o sube el soporte hasta que la posición sea más cómoda. Modifica el ángulo lentamente, sin movimientos bruscos.
7. **Platina.** Aquí es donde se coloca el portaobjetos con la muestra, para observarla.
8. La platina tiene dos **pinzas** que permiten sujetar los portaobjetos en el sitio adecuado.
9. **El espejo** se encuentra debajo de la platina y sirve para reflejar la luz procedente de la lámpara o de la ventana que ilumina la muestra situada sobre la platina.
10. **Lámpara de iluminación.** Si en tu habitación no hay suficiente luz para trabajar con el microscopio, enciende la iluminación del microscopio girando el espejo. 2
11. **Compartimento de las pilas.** El compartimento de las pilas se encuentra en la base del microscopio. ¿Para qué sirve? es fácil, es donde se ponen las pilas necesarias para que funcione la iluminación del microscopio. A continuación encontrarás más información sobre cómo hacerlo.

Cómo trabajar con el microscopio

1. Primero coloca las pilas para la iluminación. Para ello, gira el microscopio y quita la tapa del compartimento de las pilas. Introduce las pilas AA (no son las más finas que se utilizan en las linternas de bolsillo, sino las siguientes, que son algo más gruesas). Mete las pilas respetando la polaridad, asegúrate de que el signo "+" de la pila encaja con el "+" del compartimento y haz lo mismo para los signos "-". 3 Coloca la tapa de nuevo. Si tienes dudas, pregunta a un adulto.
2. Coloca el microscopio en una superficie plana cerca de una fuente de luz intensa (una ventana o una lámpara). Gira el espejo hacia la fuente de iluminación. Ahora tendrías que ver un punto de luz a través del ocular.

¡PRECAUCIÓN! Nunca dirijas el espejo hacia el Sol, ya que podrías dañarte la vista e incluso quedarte ciego.

3. Ahora el microscopio está listo para que trabajes con él.
4. Coge un portaobjetos con una muestra preparada, colócalo en la platina y sujétalo con las pinzas.
5. Elige el objetivo que quieras girando el revólver. El microscopio tiene tres objetivos de diferentes aumentos. Cuanto más largo sea el objetivo, más aumentos produce. La mayor parte de las muestras se ven mejor con aumentos bajos; por eso, elige para empezar el objetivo más corto. Oirás un clic cuando el objetivo esté correctamente colocado.
6. Gira lentamente el tornillo de enfoque hasta que el objetivo casi toque el portaobjetos. **¡PERO CUIDADO!** No llegues a tocar el portaobjetos porque se podría dañar el portaobjetos o el objetivo. Por eso es necesario hacer este paso muy lentamente y con mucho cuidado. Cuando el objetivo esté muy cerca del portaobjetos (¡pero sin tocarlo!), mira a través del ocular y empieza a girar el tornillo de enfoque en dirección contraria y muy despacio hasta que veas una imagen nítida.

Un telescopio maravilloso

Diseño del telescopio 5

1. **Objetivo.** Esta es la parte más importante del telescopio. El objetivo es un sistema de lentes que recoge la luz de un objeto lejano y que forma una imagen. El objetivo siempre debería estar dirigido en la dirección del objeto que quieres observar.
2. **Tubo óptico.** Los rayos de luz recogidos por el objetivo viajan en el interior del tubo óptico hasta entrar en el ocular.
3. **Ocular.** Cuando miras a la Luna, los planetas y las estrellas, lo haces a través del ocular. El ocular aumenta muchas veces el tamaño de las imágenes de los objetos, por eso se ven con mayor tamaño que si se observan con el ojo desnudo.

4. **Parasol.** El parasol es un tubo corto que se coloca en el objetivo. Evita que la luz de las farolas de la calle, de los coches, de las ventanas o de otras fuentes de luz cercanas, lleguen al objetivo y empeoren la imagen del objeto que quieres observar.
5. **Buscador.** Es un telescopio pequeño unido al tubo del telescopio de mayor tamaño. El buscador tiene pocos aumentos pero un campo de visión amplio (lo que significa que puedes ver zonas más grandes al mismo tiempo). El buscador te ayuda a que puedas encontrar el objeto que buscas más rápido y más fácilmente. Una vez que hayas localizado el objeto con el buscador, puedes pasar a observarlo en detalle con el telescopio.
6. **Horquilla del buscador.** Sirve para unir el buscador al tubo del telescopio.
7. **Enfocador.** Es el elemento en el que se inserta el ocular. El enfocador es necesario para acercar o alejar el ocular del objetivo. Haciendo esto es posible conseguir imágenes lo más nítidas posibles.
8. Si la imagen obtenida a través del ocular no es nítida, rota con cuidado el **tornillo de enfoque**.
9. **Espejo diagonal.** Si quieres observar objetos situados por encima de tu cabeza, utiliza el espejo diagonal para que no tengas que echar la cabeza hacia atrás. El espejo diagonal está en el interior del enfocador. Este espejo desvía los rayos de luz de forma que es posible realizar observaciones en una posición más cómoda.
10. **Montura altazimutal.** Es un mecanismo especial que permite mover el telescopio de arriba a abajo y de izquierda a derecha.
11. **Bloqueo de azimut.** Mueve el tubo de forma horizontal.
12. **Bloqueo de altitud.** Mueve el tubo verticalmente.
13. **Control de movimiento lento.** El telescopio es un instrumento muy sensible, por eso es necesario utilizar un control de movimiento lento para apuntar de forma más precisa al objeto que quieras ver. Este control permite mover el tubo de manera suave y sin movimientos bruscos.
14. **Trípode de sobremesa.** Es necesario que el telescopio sea muy estable para que las imágenes no tiemblen. Por eso el tubo está instalado sobre un soporte especial, el trípode.

Montaje del telescopio 6

Es muy importante montar el telescopio de forma correcta para que funcione bien. Revisa el telescopio cuidadosamente. Intenta recordar los nombres de las piezas, dónde va cada una y para qué se utilizan. Es mejor montar el telescopio con ayuda de un adulto.

1. Abre la caja y saca todas las piezas. Asegúrate de que la caja esté vacía, es posible que se hayan quedado piezas pequeñas dentro.
2. Extiende las patas del trípode y colócalo en una superficie plana para que quede estable.
3. Busca el tornillo de fijación del telescopio (situado por debajo del telescopio), aflójalo y coloca el telescopio en la montura. Introduce el tornillo de manera que pase por el orificio del telescopio y por el de la montura. Apriétalo con cuidado. **¡ATENCIÓN! No aprietes excesivamente el tornillo, ya que podría dañarse la rosca.**
4. Afloja los tornillos de fijación del buscador y desliza el buscador dentro de la base. Aprieta los tornillos cuidadosamente. El buscador se tiene que montar de manera que apunte en la misma dirección que el tubo del telescopio.

Cómo trabajar con el telescopio

Antes de empezar a realizar observaciones es muy importante instalar correctamente los oculares y el resto de las piezas.

Enfocador: Gira el tornillo de enfoque hacia el telescopio hasta que llegue al tope. Después gira el tornillo hacia ti poco a poco hasta que la imagen aparezca nítida. **¡ATENCIÓN! Antes de enfocar la imagen (antes de ajustar la imagen para que aparezca nítida), asegúrate de que el ocular esté insertado en el enfocador.** En caso contrario no verás ninguna imagen.

Ocular de 18 mm: En la caja del telescopio encontrarás dos oculares. Cuanto menor sea el número del ocular, mayores serán sus aumentos. Es mejor empezar a realizar observaciones utilizando un ocular de pocos aumentos pero con un campo de visión mayor. También es posible utilizar el ocular inversor de imágenes de 18 mm para observar la Luna y los planetas, así como un gran número de objetos terrestres lejanos, tales como edificios, torres, antenas, etc. **¡ATENCIÓN! El ocular inversor de imágenes de 18 mm tiene que colocarse directamente en el enfocador, sin utilizar el espejo diagonal.**

Espejo diagonal: Saca el ocular inversor de imágenes e introduce el espejo diagonal en el enfocador.

Ocular H12,5 mm: Una vez introducido el espejo diagonal en el enfocador, coloca el ocular H12,5 mm en su interior. Proporciona aumentos mayores y es excelente para realizar observaciones nocturnas. **7**

Before starting observations it is very important to install eyepieces and all additional parts correctly.

Cómo empezar a realizar observaciones

**¡PRECAUCIÓN! ¡No mires nunca al Sol ni a zonas del cielo cercanas al Sol a través de un telescopio!
¡Podrías dañarte la vista o incluso quedarte ciego!**

Antes de empezar a explorar el cosmos es necesario que te familiarices con el telescopio utilizándolo durante el día. Puedes utilizar el ocular inversor de imágenes para observar objetos terrestres como casas, árboles, antenas en los tejados ¡y muchos otros! De esta forma podrás aprender a controlar el telescopio, enfocando los objetos que deseas observar. ¡Y además es muy divertido! **¡ATENCIÓN! El telescopio tiene que usarse en un lugar protegido del viento.**

Cuando vayas a observar la Luna, los planetas y las estrellas por la noche, recuerda elegir sitios alejados de las farolas, de las luces de los coches y de las luces de las ventanas. Intenta realizar observaciones en noches en que las estrellas brillen bien y de manera uniforme.

Apunta el telescopio hacia el objeto deseado, por ejemplo la Luna. Mirando por el buscador, mueve el tubo lentamente hasta que el objeto se encuentre en el centro. Si ahora miras a través del ocular verás la imagen del objeto ¡aumentada muchas veces!

Cuando trabajes con el telescopio, hazlo con cuidado y ten paciencia. No lo empujes y no lo muevas de su sitio. Después de practicar aprenderás a mover el tubo del telescopio sin perder de vista el objeto mientras miras por el ocular.

Kedves Barátunk!

A gyerekek számára készült Levenhuk LabZZ MT2 készlettel egy csapásra megnyílik előtted az izgalmas tudományos felfedezések csodás világa! A készletben található teleszkóppal tanulmányozható a Hold, a bolygók és a fényes csillagok, felfedhetők a végtelen világegyetem rejtelmek, és a legtöbb távoli objektum megfigyelhető. A mikroszkóp segítségével pedig tanúja lehetsz mindannak, ami láthatatlan - amely olyan apró, hogy szabad szemmel nem is látható! A készletben található mikroszkóp segítségével megvizsgálható, miből vannak a körülöttünk lévő tárgyak, és milyen titkok rejtettek előttünk a mindennapi életben. A Levenhuk LabZZ MT2 készlettel egyszerre tanulhatsz és szórakozhatsz.

A teleszkóp, illetve a mikroszkóp használata előtt figyelmesen olvasd végig a használati útmutatót. Ne vedd el; később még szükség lehet rá.

Információk szülőknek

Kedves Szülő! Ne feledje, gyermeke biztonságáért minden esetben Ön felel. A mikroszkóp, illetve a teleszkóp használatakor mindig figyeljen a gyermek biztonságára. Figyelmesen olvassa végig a használati útmutatót, különös tekintettel a kezelési és karbantartási utasításokra. Még ha gyermeke már elég idős is ahhoz, hogy ügyesen olvasson, az eszközök használatának megkezdése előtt még egyszer szóban ismételje el neki az összes szabályt. Ügyeljen rá, hogy gyermeke megfelelően megértse az utasításokat.

VIGYÁZAT! FULLADÁSVESZÉLY! Az eszközökön apró részegységek találhatóak. A teleszkóp és a mikroszkóp 5 évnél idősebb gyermekek számára készült, és kizárólag felnőtt felügyelete mellett használható.

Ápolás és karbantartás (mikroszkóp és teleszkóp)

- Ennek az eszköznek a használatával soha, semmilyen körülmények között ne nézzen közvetlenül a Napba, vagy egyéb, nagyon erős fényforrásba vagy lézersugárba, mert ez **MARADANDÓ KÁROSODÁST OKOZ A RETINÁJÁBAN ÉS MEG IS VAKULHAT.**
- A Napot **KIZÁRÓLAG** a Nap megfigyelésre kialakított, professzionális rekesznyílás-szűrővel szabad megfigyelni, amely teljes mértékben befedi az eszköz elülső részét. A keresőtávcső elülső végét alufóliával vagy más, nem átlátszó anyaggal be kell fedni, védve ezzel a teleszkóp belső részegységeit a károsodástól. A Nap biztonságos megfigyeléséhez 5,0 optikai sűrűségű (OD) szűrők használata javasolt. Az ilyen típusú szűrők mindössze a napfény 0,001%-át eresztik át, a fennmaradó 99,999%-ot pedig lefognak. A legmegbízhatóbb napszűrők Baader AstroSolar fóliából készülnek.
- A teleszkóp és a mikroszkóp valamennyi részegységét egy csomagban szállítjuk. A kicsomagolásnál legyen óvatos. Ajánlott megőrizni az eredeti szállítódobozokat. Ha a teleszkópot egy másik helyszínre kell szállítani, akkor a megfelelő csomagolás (szállítódoboz) segít a teleszkóp épségének megőrzésében. Ellenőrizze, hogy minden részegység megtalálható-e a csomagban. Alaposan nézze át a dobozt, mivel néhány részegység egészen apró.
- Bármi legyen is az ok, semmiképpen ne kísérelje meg szétszerelni az eszközt. Ha javításra vagy tisztításra szorul az eszköz, akkor keresse fel az erre a célra specializálódott helyi szolgáltatóközpontot.
- Óvja az eszközt a hirtelen behatásoktól és a hosszabb ideig tartó mechanikai erőktől. Ne használjon túlzott erőt a fókusz beállításánál. Ne húzza túl a szorítócsavarokat.
- Lehetőség szerint ne használja a mikroszkópot gyúlékony anyagok közelében (benzol, papír, kartonlap, műanyag, stb.), mivel a megfigyelés során a mikroszkóp talpazata felmelegedhet és így tűzveszélyessé válhat.
- Ha az eszköz hosszabb ideig használaton kívül van, akkor az eszköztől elkülönítetten tárolja az objektívlencsét és a szemlencsét.
- Legyen körültekintő a megfigyelések során, mindig helyezze vissza a porvédőt a megfigyelés befejeztével, így megóvhatja eszközét a portól és a szennyeződésektől.
- Ne használja az eszközt hosszú időtartamon keresztül a tűző napon, vagy ne hagyja ott felügyelet nélkül. Tartsa az eszközt víztől és magas páratartalomtól védett helyen.
- Lehetőség szerint ne használja a mikroszkópot gyúlékony anyagok közelében (benzol, papír, kartonlap, műanyag, stb.), mivel a megfigyelés során a mikroszkóp talpazata felmelegedhet és így tűzveszélyessé válhat.
- A talpazat kinyitása vagy a megvilágítást biztosító izzó kicserélése előtt minden esetben áramtalanítsa a mikroszkópot. Csere előtt az izzó típusától függetlenül (halogén vagy hagyományos) minden esetben várja meg, amíg az izzó lehűl, és mindig ugyanolyan típusú izzót használjon.
- A vegyszerek káros hatással lehetnek az emberi egészségre. Kizárólag a használati útmutatóban megnevezett termékeket használja. Gondoskodjon róla, hogy gyermeke megismerje ezek megfelelő használatát.
- A munkaterületet tisztán és rendezetten kell tartani. A konyhában, élelmiszerek közelében ne dolgozzon mintákkal. A területen legyen megfelelő a világítás. Ezenfelül gyorsan és kényelmesen legyen elérhető a tiszta víz.
- A hulladéknak nevezzen ki külön vödört. A folyadékokat minden esetben a lefolyóba, nem pedig a mosdókagylóba kell önteni.
- Festékek: Metilénkék és metilnarancs. Ne nyelje le. Tartsa távol gyermekektől. Lenyelés esetén azonnal forduljon orvoshoz.
- Ragasztó: Általában szerves anyag (például gyanta). Ne nyelje le. Tartsa távol gyermekektől. Lenyelés esetén azonnal forduljon orvoshoz.
- A készletben minden megtalálható, ami az eszköz összeszereléséhez szükséges, azonban ha mégis szükség lenne kiegészítő szerszámokra, nyugodtan használja azokat az alapszámokat, amelyek csaknem mindenki otthonában megtalálhatók.
- **Azonnal forduljon orvoshoz, amennyiben bárki lenyelt egy kis alkatrészt vagy elemet.**
- **Gyermekek kizárólag felnőtt felügyelete mellett használhatják a mikroszkópot.**

Az elemekkel kapcsolatos biztonsági intézkedések

- Mindig a felhasználásnak legmegfelelőbb méretű és fokozatú elemet vásárolja meg.
- Elemcsere során mindig az összes elemet egyszerre cserélje ki; ne keverje a régi elemeket a frisszekkel, valamint a különböző típusú elemeket se keverje egymással össze.
- Az elemek behelyezése előtt tisztítsa meg az elemek és az eszköz egymással érintkező részeit.
- Győződjön meg róla, hogy az elemek a pólusokat tekintve is helyesen kerülnek az eszközbe (+ és -).
- Amennyiben az eszközt hosszabb ideig nem használja, akkor távolítsa el az elemeket.
- A lemerült elemeket azonnal távolítsa el.
- Soha ne zárja rövidre az elemeket, mivel így azok erősen felmelegedhetnek, szivárogni kezhetnek vagy felrobbanhatnak.
- Az elemek élettartamának megnöveléséhez soha ne kísérelje meg felmelegíteni azokat.
- Használat után ne felejtse el kikapcsolni az eszközt.
- Az elemeket tartsa gyermekektől távol, megelőzve ezzel a lenyelés, fulladás és mérgezés veszélyét.

Üdvözlünk a mikrovilágban!

A Levenhuk LabZZ MT2 mikroszkóppal rengeteg érdekes felfedezést tehetsz és izgalmas emlékeket gyűjthetsz! Ne feledkezz meg róla, hogy az alábbi biztonsági szabályokat feltétlenül be kell tartanod. A készletben a mikroszkóp, valamint számos hasznos tartozék található. Minden a helyén van? Ellenőrizd a szüleiddel közösen. **4**

A mikroszkóp részei **1**

- 1. Szemlencse.** A minta felnagyított képe a szemlencsén keresztül vizsgálható. A szemlencse egy olyan lencserendszer, amely
- 2. hasonlóképpen működik, mint a nagyítóüveg.**
Fókuszállító gomb. Elmosódott a kép? Óvatosan fordasd el a gombot, és addig állítsd a fókuszot, amíg minden részlet ki nem tisztul. Vigyázz - a gombot csak lassan szabad forgatni, nehogy megsérüljön az objektív vagy a megfigyelt tárgyalemez.
- 3. Monokuláris fej.** Ez rendkívül fontos része a mikroszkópnak. A fény rögtön a fejrészen lévő tubusba, onnan pedig közvetlenül a szemlencsébe szökik, ahol megformálódik az így kapott kép.
- 4. Revolverfej.** Ezen az eszközön három darab, különböző nagyítóerővel rendelkező objektív található. A nagyítóerő módosításához fordasd el a revolverfejet addig, amíg az be nem kattant a helyére (a kattantó hang azt jelzi, hogy a kiválasztott objektív a helyére került).
- 5. Objektív.** Ez a képek felnagyításához szükséges. A Levenhuk LabZZ MT2 mikroszkóphoz három darab, különböző nagyítóerővel rendelkező objektív tartozik. Ezek a szabad szemmel látható képhez képest 75-szörösre, 300-szorosra és 900-szorosra nagyítják fel a képeket.
- 6. Állvány.** A mikroszkópon ez az ívelt rész csatlakoztatja össze az összes többi részegységet. Ha kényelmetlen belenézni a szemlencsébe, döntsd meg vagy emeld feljebb az állványt, amíg már kényelmessé válik a megfigyelés. A dőlésszöveget csak lassan változtasd, kerülj a hirtelen mozdulatokat.
- 7. Tárgyasztal.** Ide kell helyezni a tárgyalemezt, amelyet meg szeretnél figyelni.
- 8. A tárgyasztalon két darab tárgyalemez-tartó található, amelyek - ahogy az a nevékből is kitalálható - a tárgyalemezek rögzítésére szolgálnak.**
- 9. A tükör** a tárgyasztal alatt található. Ez megtöri a lámpából vagy az ablakból érkező fényt, megvilágítva ezzel a tárgyasztalon lévő mintát.
- 10. Lámpa.** Amennyiben a szobában nem megfelelő a világítás, a tükör fölött kapcsold fel (elforgatással) a beépített világítást. **2**
- 11. Elemtartó rekesz.** Az elemtartó rekesz a mikroszkóp alapzatában található. És hogy mire való? Mi sem egyszerűbb - ide kell behelyezni a világításhoz az elemeket. Ennek módjáról további részletek alább olvashatók.

A mikroszkóp használata

- Először is be kell helyezni az elemeket a világításhoz. Fordítsd fejre a mikroszkópot, és vedd le az elemtartó rekesz fedelét. Helyezz be két darab AA-típusú elemet (ezek nem a legvékonyabb zseblámpa-elemek, hanem kicsit vastagabbak). Az elemek behelyezésekor figyelj oda a pólusokra - ügyelj rá, hogy az elemen lévő „+” jel az elemtartó rekeszben látható „+” jelhez kerüljön (ugyanaz vonatkozik a „-” jelekre is). **3** Helyezd vissza a fedelet. Bátran kérj segítséget egy felnőttől, ha nem vagy biztos a dolgokban.
- Helyezd a mikroszkópot sík felületre, egy fényes fényforrás (ablak vagy lámpa) közelébe. A tükröt fordítsd a fényforrás felé. Ekkor a szemlencsében látnod kell egy fényes fénypontot.

VIGYÁZAT! Ennek az eszköznek a használatával soha, semmilyen körülmények között ne nézzen közvetlenül a Napba, vagy egyéb, nagyon erős fényforrásba vagy lézersugárba, mert ez maradandó károsodást okoz a retinájában és meg is vakulhat.

- Most már a mikroszkóp készen áll a használatra.
- Fogj egy előkészített mikroszkóp-tárgyalemezt, helyezd rá a tárgyasztalra, és rögzítsd a tartókkal.
- A revolverfejet elforgatva válaszd ki az objektívet. A mikroszkóphoz három darab, különböző nagyítóerejű objektív tartozik. Minél hosszabb az objektív, annál nagyobb mértékű nagyítást tesz lehetővé. A legtöbb megfigyelés kisebb mértékű nagyítással hatékonyabban működik, úgyhogy kezdetben válaszd a legrövidebb objektívet. Az objektív kiválasztásakor hallani fogod, ahogy az „bekattan” a helyére.
- Lassan fordasd el a fókuszállító gombot addig, amíg az objektív már majdnem hozzáér a tárgyalemezhez. **DE(!)** semmiképp ne érjen hozzá ténylegesen a tárgyalemezhez, hiszen ekkor a tárgyalemez és az objektív egyaránt károsodhat. Pontosan emiatt kell minden folyamatot nagyon lassan és óvatosan végezni. Ha az objektív már nagyon közel került a tárgyalemezhez (ne érjen hozzá!), nézz bele a szemlencsébe, és kezd el nagyon lassan elforgatni a gombot a másik irányba, amíg a kép már teljesen tisztán látható.

Csodás teleszkóp

A teleszkóp felépítése **5**

- 1. Objektív.** A teleszkóp legfontosabb része. Az objektív egy olyan lencserendszer, amely a távoli objektumból összegyűjti a fényt, és megformálja annak képét. Az objektívet mindig a megfigyelni kívánt objektum irányába kell állítani.
- 2. Optikai tubus.** Az objektív által összegyűjtött fénysugarak az optikai tubuson keresztül jutnak be a szemlencsébe.
- 3. Szemlencse.** A Holdat, a bolygókat és a csillagokat a szemlencsén keresztül lehet megfigyelni. A szemlencse többszörösére nagyítja az objektumok képeit; emiatt minden objektum nagyobbtnak tűnik, mint amikor szabad szemmel figyeljük meg azokat.
- 4. Napellenző.** A napellenző egy rövid tubus, amelyet az objektívra kell ráhelyezni. Feladata, hogy ne engedje be a közúti lámpákból, autólámpákból, ablakokból és más közeli fényforrásokból eredő fényt az objektívba, ezzel elrontva a megfigyelni kívánt objektum megformált képét.

5. **Keresőtávcső** - kisméretű teleszkóp, amely a nagy teleszkóp tubusához rögzül. A keresőtávcső kismértékű nagyítóerővel és széles látómezővel bír (az utóbbi azt jelenti, hogy egyszerre nagyobb területek láthatók be). A keresőtávcső arra szolgál, hogy gyorsabban és könnyebben sikerüljön megtalálni a kívánt objektumot. Miután a keresőtávcsővel megtaláltad az objektumot, a teleszkóppal részletesen megfigyelheted azt.
6. **Keresőtávcső talpazata** szükséges ahhoz, hogy a keresőtávcsövet a teleszkóp tubusához lehessen rögzíteni.
7. **Fókuszállító** - speciális eszköz, amelybe a szemlencsét kell behelyezni. A fókuszállító arra szolgál, hogy a szemlencsét közelebb vagy távolabb lehessen vinni az objektívtól. Így maximálisan tiszta képek érhetők el.
8. Ha a szemlencsében látott kép nem tiszta, óvatosan forgasd el a **fókuszállító gombot**.
9. **Diagonális tükrök**. Ha olyan objektumokat szeretnél megfigyelni, amelyek jóval fejmagasság fölött helyezkednek el, a diagonális tükröt használva nem kell hátrahajtanod a fejed. A diagonális tükröt a fókuszállítóba kell behelyezni. Áttereli a fénysugarakat, ezáltal kényelmesebb helyzetben végezhető a megfigyelés.
10. **Alt-azimut állvány** - speciális szerkezet, amely révén a teleszkóp tubusa fel-le, illetve balra-jobbra mozgatható.
11. **Azimut szorítógomb**: a tubus vízszintes irányú mozgásáért felel.
12. **Magassági szorítógomb**: a tubus függőleges irányú mozgásáért felel.
13. **Lassúmozgás-szabályozó**. A teleszkóp egy rendkívül érzékeny műszer; éppen emiatt, a pontosabb irányíthatóság érdekében lassúmozgás-szabályozóra van szükség. A szabályozó segítségével a tubus nagyon lassan, ugrások nélkül mozgatható.
14. **Asztalra állítható háromlábú állvány**. A teleszkópnak mindig stabilan kell állnia ahhoz, hogy a képek ne rázkódjanak. Emiatt a tubust speciális támaszra kell helyezni - a háromlábú állványra.

A teleszkóp összeszerelése **6**

A megfelelő működés érdekében nagyon fontos, hogy a teleszkóp helyesen legyen összeszerelve. Alaposan vizsgáld meg a teleszkópot. Próbáld megjegyezni a részegységek neveit, ill. hogy melyik részegység hova és mire való. A teleszkóp összeszereléséhez érdemes felnőtt segítségét kérni.

1. Nyisd ki a dobozt, és vedd ki az összes részegységet. Kétszer is ellenőrizd le a dobozt, amikor az már üres - lehet, hogy néhány részegység még benne maradt.
2. Hajtsd ki a háromlábú állvány lábait, és helyezd le egy sík felületre úgy, hogy stabilan álljon.
3. Keresd meg a teleszkópon a szerelőcsavart (alul található). Lazítsd ki és állítsd rá a teleszkópot az állványra. Helyezd bele a csavart a teleszkópon és az állványon található furatokba. Óvatosan húzd meg. **Figyelem! Ne húzd meg túlságosan a csavart, mert így véletlenül megsérülhet a csavarmentet.**
4. Lazítsd ki a keresőtávcső szerelőcsavarjait, és csúsztasd rá az egységet a keresőtávcső alapzatára. Óvatosan húzd meg a csavarokat. A keresőtávcsövet úgy kell beszerelni, hogy az ugyanabba az irányba nézzen, mint a teleszkóp tubusa.

A teleszkóp használata

A megfigyelések megkezdése előtt nagyon fontos, hogy megfelelően beszereld a szemlencsét és az összes kiegészítő részegységet.

Fókuszállító: Forgasd el a fókuszállító gombot a teleszkóp felé ütközésig (amíg már nem megy tovább). Ezután lassan kezd el elforgatni a gombot magad felé, amíg a kép tiszta nem lesz. **Vigyázat! A képfókusz beállítása (az élesség beállítása) előtt ellenőrizd, hogy a szemlencse benne van-e a fókuszállítóban.** Máskülönben nem látható majd kép.

18 mm-es szemlencse: A csomagban a teleszkóp mellett két darab szemlencse található. Minél kisebb a szemlencsén olvasható szám, annál nagyobb mértékű a nagyítás. A megfigyelést érdemes alacsony nagyítóerővel és széles látómezővel rendelkező szemlencsével kezdeni. A 18 mm-es álló szemlencse a Hold és a bolygók megfigyelésére szolgál, továbbá megfigyelhető vele számos távoli földi objektum is, például épületek, tornyok, antennák stb.! **Vigyázat! A 18 mm-es álló szemlencsét közvetlenül a fókuszállítóba kell behelyezni, a diagonális tükrök nélkül.**

Diagonális tükrök: Húzd ki az álló szemlencsét, és helyezd be a diagonális tükröt a fókuszállítóba. **7**

H12,5 mm-es szemlencse: Miután behelyezted a diagonális tükröt a fókuszállítóba, helyezd bele a H12,5 mm-es szemlencsét. Ez nagyobb mértékű nagyítást biztosít, és kiváló eszköz éjszakai megfigyelésekhez.

A megfigyelés megkezdése

VIGYÁZAT! Ennek az eszköznek a használatával soha, semmilyen körülmények között ne nézzen közvetlenül a Napba, vagy egyéb, nagyon erős fényforrásba vagy lézersugárba, mert ez maradandó károsodást okoz a retinájában és meg is vakulhat!

Mielőtt elkezdenéd megfigyelni a világegyetemet, először tanuld meg nappal használni a teleszkópot. A 18 mm-es álló szemlencsével figyelj meg különböző földi objektumokat - házakat, fákat, a háztetőkön lévő antennákat stb.! Így megtanulod kezelni a teleszkópot, és a kívánt objektumokra irányítani azt. Mindemellett még jól is szórakozol! **Vigyázat! A teleszkópot szélvédett helyen kell használni.**

A Hold, a bolygók és a csillagok éjszakai megfigyelésekor olyan helyet válassz, amely távol van a közúti lámpákból, az autólámpákból és az ablakokból beszűrődő fénytől. Próbáld meg olyan éjszakát választani a megfigyeléshez, amikor a csillagok fényesen és egyenletesen csillognak.

Íranyítsd a teleszkópot a kívánt objektumra, például a Holdra. A keresőtávcsőn átnézve lassan mozgasd a tubust, amíg az objektum már középre kerül. Ekkor nézz bele a szemlencsébe, és máris megláthatod az objektum sokszorosára nagyított képét!

A teleszkóp használata közben mindig legyél óvatos és türelmes. Ne told előre, és ne vidd máshova a helyéről. Némi gyakorlás után már úgy tudod majd mozgatni a teleszkóp tubusát, hogy az objektum nem kerül ki a szemlencse látóköréből.

Caro amico!

Il kit per bambini Levenhuk LabZZ MT2 aprirà loro la strada verso l'incredibile mondo delle scoperte scientifiche! Con il telescopio compreso nel kit è possibile esaminare la Luna, i pianeti e le stelle più luminose, svelare i misteri del cosmo infinito e osservare gli oggetti celesti più lontani. Il microscopio, d'altro canto, vi renderà partecipi di un mondo invisibile, fatto di oggetti tanto piccoli da non poter essere visti a occhio nudo! Il microscopio incluso nel kit vi aiuterà a imparare come sono fatte le cose che ci circondano e quali segreti si nascondono nella vita di tutti i giorni. La tua esperienza con il kit Levenhuk LabZZ MT2 sarà istruttiva e divertente.

Leggi con attenzione tutto il manuale prima di iniziare a usare il telescopio o il microscopio. E conservatelo, potrebbe tornarvi utile.

Informazioni per i genitori

Cari adulti! Ricordate che siete responsabili dei vostri figli in ogni momento. Accertatevi sempre che i bambini siano al sicuro mentre utilizzano il microscopio o il telescopio. Leggete attentamente l'intero manuale, soprattutto le istruzioni per la cura e la manutenzione. Anche se i vostri bambini sono già grandi e in grado di leggere, ripetete con loro le regole a voce alta almeno una volta prima di iniziare a usare lo strumento. Assicuratevi che vostro figlio o vostra figlia abbiano capito tutte le istruzioni.

ATTENZIONE! PERICOLO DI SOFFOCAMENTO! Questi strumenti contengono piccole parti. Il telescopio e il microscopio sono progettati per bambini di età superiore ai 5 anni e devono essere usati sotto la supervisione di un adulto.

Cura e manutenzione (microscopio e telescopio)

- Non utilizzare in nessun caso questo apparecchio per guardare direttamente il sole, un'altra sorgente di luce ad alta luminosità o un laser, perché ciò potrebbe provocare **DANNI PERMANENTI ALLA RETINA** e portare a **CECITÀ**.
- Si raccomanda di osservare il Sole **SOLTANTO** attraverso un filtro solare a tutta apertura, che copra l'intero obiettivo frontale dello strumento. La parte frontale del cercatore deve essere coperta con un foglio di alluminio, o di altro materiale non trasparente, per evitare danni alle componenti interne del telescopio. Per osservazioni solari in tutta sicurezza, consigliamo l'uso di filtri con densità ottica (OD) pari a 5,0. Questi filtri trasmettono solo lo 0,001% della luce solare, bloccando il restante 99,999%. I filtri più affidabili sono realizzati con la pellicola AstroSolar a marchio Baader.
- Nel caso si utilizzi l'apparecchio in presenza di bambini o altre persone che non siano in grado di leggere o comprendere appieno queste istruzioni, prendere le precauzioni necessarie.
- Tutte le parti del telescopio e del microscopio sono contenute in un'unica scatola. Prestare attenzione durante l'apertura. Consigliamo di conservare la confezione originale. Nel caso in cui il telescopio debba essere trasportato in un altro luogo, l'utilizzo della confezione originale aiuterà a mantenere intatti tutti i componenti durante il viaggio. Assicurarsi che tutte le parti siano presenti nell'imballaggio. Controllare attentamente all'interno della scatola, alcune parti sono molto piccole.
- Non cercare per nessun motivo di smontare autonomamente l'apparecchio. Per qualsiasi intervento di riparazione e pulizia, contattare il centro di assistenza specializzato di zona.
- Non toccare le superfici ottiche con le dita. Per pulire l'esterno dell'apparecchio, utilizzare soltanto le salviette apposite e gli strumenti di pulizia dell'ottica apposti offerti da Levenhuk. Non utilizzare fluidi corrosivi o a base di acetone per pulire l'ottica del dispositivo.
- Proteggere l'apparecchio da urti improvvisi ed evitare che sia sottoposto ad eccessiva forza meccanica. Durante la messa a fuoco, non applicare una forza eccessiva. Non stringere eccessivamente le viti di bloccaggio.
- Se non si intende utilizzare il microscopio per periodi prolungati, conservare le lenti obiettivo e gli oculari separatamente dal microscopio.
- Se non si intende utilizzare lo strumento per periodi prolungati, conservare le lenti obiettivo e gli oculari separatamente da esso.
- Non utilizzare il dispositivo per lunghi periodi e non lasciarlo incustodito sotto i raggi diretti del sole. Non esporre il dispositivo all'acqua o a elevata umidità.
- Per rimuovere eventuali particelle abrasive, ad esempio sabbia, dalle lenti, non strofinare, ma soffiare oppure utilizzare una spazzola morbida.
- Conservare l'apparecchio in un posto fresco e asciutto, al riparo da acidi pericolosi e altri prodotti chimici, da apparecchi di riscaldamento, da fiamme libere e da altre fonti di calore.
- Cercare di non utilizzare il microscopio in prossimità di materiali o sostanze infiammabili (benzene, carta, cartone ecc), poiché la base potrebbe riscaldarsi durante l'utilizzo e rappresentare un rischio di incendio.
- Gli agenti chimici inclusi potrebbero essere pericolosi per la salute. Vanno utilizzati solamente seguendo le istruzioni del manuale utenti. Assicurarsi che i vostri figli sappiano come maneggiarli correttamente.
- Operare lo strumento in un luogo pulito e ordinato. Non preparare campioni in cucina o vicino a degli alimenti. L'area di lavoro deve essere ben illuminata. Si raccomanda di avere accesso immediato a dell'acqua pulita.
- Allestire un recipiente separato per i rifiuti. Tutti i liquidi devono essere smaltiti in uno scarico fognario e non in un lavandino.
- Coloranti: Blu di metilene e metilarancio. Non ingerire. Tenere fuori dalla portata dei bambini. In caso di ingestione, rivolgersi immediatamente a un medico.
- Colla: Solitamente in materiale organico (ad esempio, pece). Non ingerire. Tenere fuori dalla portata dei bambini. In caso di ingestione, rivolgersi immediatamente a un medico.
- Il kit comprende tutto il necessario per l'assemblaggio, in caso siano necessari ulteriori attrezzi, è possibile usare un set di attrezzi standard reperibile normalmente in ogni casa.
- **In caso di ingestione di una parte di piccole dimensioni o di una batteria, richiedere immediatamente assistenza medica.**
- **I bambini devono usare il microscopio solo sotto la supervisione di un adulto.**

Istruzioni di sicurezza per le batterie

- Acquistare batterie di dimensione e tipo adeguati per l'uso di destinazione.
- Sostituire sempre tutte le batterie contemporaneamente, evitando accuratamente di mischiare batterie vecchie con batterie nuove oppure batterie di tipo differente.
- Prima della sostituzione, pulire i contatti della batteria e quelli dell'apparecchio.
- Assicurarsi che le batterie siano state inserite con la corretta polarità (+ e -).
- Se non si intende utilizzare l'apparecchio per lungo periodo, rimuovere le batterie.

- Rimuovere subito le batterie esaurite.
- Non cortocircuitare le batterie, perché ciò potrebbe provocare forte riscaldamento, perdita di liquido o esplosione.
- Non tentare di riattivare le batterie riscaldandole.
- Dopo l'utilizzo, non dimenticare di spegnere l'apparecchio.
- Per evitare il rischio di ingestione, soffocamento o intossicazione, tenere le batterie fuori dalla portata dei bambini.

Benvenuti nel microcosmo!

Con il microscopio Levenhuk LabZZ MT2, potrai fare un sacco di scoperte interessantissime e vivere momenti indimenticabili! Ricordati che è assolutamente necessario seguire le norme di sicurezza. Nel kit troverai il microscopio, accompagnato da vari strumenti utili. È tutto al posto giusto? Controlla insieme a un adulto. ④

Parti del microscopio ①

1. **Oculare.** È tramite l'oculare che si osserva l'immagine ingrandita del campione. L'oculare è un sistema di lenti che funziona come una lente d'ingrandimento.
2. **Manopola della messa a fuoco.** Le immagini sono sfuocate? Ruota con delicatezza la manopola, regolando la messa a fuoco finché tutti i dettagli non saranno chiari. Fai attenzione: la manopola va ruotata lentamente per non danneggiare né l'obiettivo né il vetrino che vuoi osservare.
3. **Testata monoculare.** Si tratta di una parte molto importante del microscopio. La luce viaggia proprio attraverso il tubo della testata, dritta fino all'oculare, dove si forma l'immagine risultante.
4. **Revolver portaobiettivi.** Questo è il congegno che supporta i tre obiettivi a ingrandimento diverso. Per cambiare ingrandimento, ruota il revolver finché non senti un clic (il suono significa che l'obiettivo scelto è in posizione).
5. **Obiettivi.** Sono necessari per ingrandire le immagini. Il microscopio Levenhuk LabZZ MT2 è dotato di tre obiettivi, ognuno con un diverso ingrandimento. Rendono l'immagine più grande di 75, 300 e 900 volte rispetto a quel che si vede a occhio nudo.
6. **Stativo.** Questa parte curva del microscopio connette insieme tutti gli altri componenti. Se l'osservazione attraverso l'oculare ti sembra scomoda, prova a inclinare o sollevare lo stativo finché non trovi una posizione più confortevole. Cambia l'angolo di inclinazione lentamente, senza movimenti bruschi.
7. **Tavolino.** Questo è il posto giusto in cui mettere il vetrino per poterlo osservare.
8. Il tavolino ha due **mollette ferma vetrini**, che, come dice il nome, servono a tenere i vetrini ben fermi.
9. **Lo specchio** si trova sotto il tavolino portaoggetti. Riflette la luce della lampadina o della finestra, illuminando il campione posto sul tavolino.
10. **Lampadina per l'illuminazione.** Se la luce nella stanza non è sufficiente, puoi accendere l'illuminazione incorporata capovolgendo lo specchio. ②
11. **Scomparto delle batterie.** Lo scomparto delle batterie è sotto la base del microscopio. A cosa serve? Semplice, è il posto in cui inserire le batterie per far funzionare l'illuminazione. Più sotto, troverai maggiori dettagli su come fare.

Come far funzionare il microscopio

1. Innanzitutto, bisogna installare le batterie per l'illuminazione. Capovolgi il microscopio e rimuovi il coperchio dallo scomparto delle batterie. Inserisci due batterie AA (non le batterie a cilindro più piccole e sottili, ma quelle un po' più spesse). Posiziona le batterie secondo la polarità indicata: assicurati che il segno "+" sulla batteria corrisponda al segno "+" sulla parete dello scomparto (lo stesso vale per il segno "-"). ③ Richiudi il coperchio. Non esitare a chiedere l'aiuto di un adulto se non sai come fare.
2. Posiziona il microscopio su una superficie piana vicino a un'intensa sorgente luminosa (una lampadina o una finestra). Ruota lo specchio verso la sorgente luminosa. Osservando attraverso l'oculare dovresti vedere un punto luminoso.

ATTENZIONE! Non utilizzare in nessun caso questo apparecchio per guardare direttamente il Sole, un'altra sorgente di luce ad alta luminosità o un laser, perché ciò potrebbe provocare danni permanenti alla retina e portare a cecità.

3. Ora il microscopio è pronto.
4. Prendi un vetrino già preparato, posizionalo sul tavolino e fissalo con le mollette.
5. Seleziona l'obiettivo facendo ruotare il revolver portaobiettivi. Il microscopio è dotato di tre obiettivi con ingrandimenti diversi. Più è lungo l'obiettivo, più è alto l'ingrandimento risultante. Un ingrandimento basso è adatto alla maggior parte delle osservazioni, quindi puoi cominciare con l'obiettivo più corto. Avvertirai un "clic" quando l'obiettivo è in posizione.
6. Ruota lentamente la manopola della messa a fuoco finché l'obiettivo non arriva quasi a toccare il vetrino. **MA!** L'obiettivo non deve mai arrivare a toccare il vetrino, poiché entrambi potrebbero subire dei danni. Ecco perché è necessario fare tutto lentamente e con molta attenzione. Quando l'obiettivo è molto vicino al vetrino (ma senza toccarlo!), osserva il campione tramite l'oculare e inizia a ruotare lentamente la manopola della messa a fuoco nella direzione opposta rispetto a prima, finché non vedi un'immagine nitida.

Meraviglioso telescopio

Montaggio del telescopio ⑤

1. **Obiettivi.** La parte più importante del telescopio. L'obiettivo è un sistema di lenti che raccoglie la luce proveniente dagli oggetti distanti e ne forma l'immagine. L'obiettivo deve sempre essere puntato in direzione dell'oggetto che vuoi osservare.
2. **Tubo ottico.** I raggi di luce raccolti dall'obiettivo viaggiano lungo il tubo ottico per arrivare fino all'oculare.
3. **Oculare.** Tramite l'oculare, puoi guardare la Luna, i pianeti e le stelle. L'oculare ingrandisce l'immagine di un corpo celeste tantissime volte, è per questo che ti apparirà molto più grande rispetto a quando lo osservi a occhio nudo.
4. **Paraluce.** Si tratta di un tubo corto, da inserire sopra all'obiettivo. Serve per impedire che la luce proveniente dai lampioni,

dai fari delle auto, dalle finestre e da altre sorgenti luminose vicine a te possa entrare nell'obiettivo e rovinare l'immagine del corpo celeste che desideri vedere.

- 5. Cercatore:** si tratta di un piccolo telescopio che si aggancia al tubo del telescopio più grande. Il cercatore ha un ingrandimento piccolo e un ampio campo visivo (quest'ultimo termine significa che puoi vedere una area più ampia di cielo alla volta). Il cercatore è pensato per aiutarti a trovare più facilmente e più velocemente il corpo celeste che vuoi vedere. Una volta trovato l'oggetto tramite il cercatore, potrai osservarlo in dettaglio grazie al telescopio.
- 6. Supporto del cercatore:** è necessario per fissare il cercatore al tubo del telescopio.
- 7. Foccheggiatore:** è uno speciale dispositivo in cui inserire l'oculare. Il foccheggiatore è necessario per spostare l'oculare più vicino o più lontano rispetto all'obiettivo. Grazie a questo movimento, potrai ottenere il massimo della nitidezza per le tue immagini.
- 8.** Se l'immagine che vedi attraverso l'oculare non è nitida, ruota la **manopola della messa a fuoco** con molta attenzione.
- 9. Specchio diagonale.** Se desideri osservare gli oggetti posti più in verticale rispetto alla tua posizione, usa una diagonale a specchio per non dover inclinare la testa all'indietro. La diagonale a specchio si inserisce nel foccheggiatore. Essa devia i raggi luminosi, così tu potrai osservare il cielo in una posizione più comoda.
- 10. Montatura altazimutale** - si tratta di uno speciale meccanismo che consente di muovere il tubo del telescopio in su e in giù, a destra e a sinistra.
- 11. Manopola di bloccaggio azimutale** muove il tubo in orizzontale.
- 12. Manopola di blocco dell' altezza** muove il tubo in verticale.
- 13. Comando slow-motion.** Il telescopio è uno strumento molto sensibile, è per questo che è necessario un comando slow-motion per puntarlo in modo più preciso. Questo comando consente di muovere il tubo in modo fluido e senza sobbalzi.
- 14. Treppiede da tavolo.** Il telescopio deve essere ben stabile, così l'immagine che osservi non sarà tremolante. Ecco perché il tubo va installato su di un supporto speciale: il treppiede.

Come assemblare il tuo telescopio 6

È davvero importante assemblare il telescopio correttamente, affinché funzioni nel modo giusto. Esamina il telescopio con attenzione. Cerca di ricordare il nome di tutti i componenti, qual è la loro posizione e a che cosa servono. È meglio assemblare il telescopio con l'aiuto di un adulto.

1. Apri la scatola e tira fuori tutti i componenti. Controlla di nuovo che la scatola sia vuota: alcune piccole parti potrebbero essere ancora all'interno.
2. Allarga le gambe del treppiede e posizionalo su una superficie piana, in modo che sia stabile.
3. Trova la vite di montaggio del telescopio (posizionata nella parte inferiore). Allentala e posiziona il telescopio sulla montatura. Inserisci la vite nel buco sul telescopio e sulla montatura. Serra la vite, senza usare troppa forza. **Attenzione! Non stringere troppo la vite, rischi di danneggiare involontariamente la filettatura.**
4. Allenta le viti di montaggio del cercatore e infila il cercatore nella sua base. Stringi tutte le viti, facendo attenzione. Il cercatore va installato in modo che punti nella stessa direzione del tubo del telescopio.

Come far funzionare il telescopio

Prima di iniziare le osservazioni è importantissimo installare correttamente l'oculare e tutti i componenti aggiuntivi.

Foccheggiatore: Gira la manopola della messa a fuoco verso il telescopio fino ad arrivare a fine corsa. Poi, inizia a girare lentamente la manopola verso di te finché l'immagine non è nitida. **Attenzione! Prima di mettere a fuoco l'immagine (regolarne la nitidezza), assicurati che l'oculare sia inserito nel foccheggiatore.** Altrimenti, non vedrai nessuna immagine.

Oculare da 18 mm. Nella scatola del telescopio troverai due oculari. Più piccolo è il numero scritto sull'oculare, più alto è l'ingrandimento. È meglio iniziare le osservazioni con un oculare a basso ingrandimento e ad ampio campo visivo. L'oculare raddrizzatore da 18 mm può essere usato per l'osservazione della Luna e dei pianeti, oltre che per osservare numerosi oggetti terrestri distanti, come edifici, torri, antenne e molto altro! **Attenzione! L'oculare raddrizzatore da 18 mm deve essere inserito direttamente nel foccheggiatore, senza diagonale a specchio.**

Diagonale a specchio: Estrai l'oculare raddrizzatore e inserisci la diagonale a specchio nel foccheggiatore. **7**

Oculare H12,5 mm. Una volta inserita la diagonale a specchio nel foccheggiatore, inserisci l'oculare H12,5 mm. Fornisce un maggior ingrandimento ed è ottimo per le osservazioni notturne.

Come iniziare a osservare

**ATTENZIONE! Non osservare mai il Sole e il cielo attorno a esso attraverso un telescopio!
Può provocare danni alla vista fino alla completa cecità!**

Prima di iniziare a esplorare il cosmo, dovresti cominciare a maneggiare il telescopio durante il giorno. Usa l'oculare raddrizzatore da 18 mm per osservare diversi oggetti terrestri: case, alberi, antenne sui tetti e molti altri! In questo modo imparerai a controllare il telescopio e a puntarlo verso gli oggetti desiderati. Inoltre, è davvero divertente! **Attenzione! Il telescopio deve essere usato in un luogo protetto dal vento.**

Quando osservi la Luna, i pianeti e le stelle di notte, ricorda di scegliere sempre una postazione lontana da lampioni, fari d'auto e finestre accese. Cerca di effettuare le tue osservazioni nelle notti in cui le stelle sono ben visibili e luminose.

Punta il telescopio verso l'oggetto desiderato, per esempio, verso la Luna. Osservando attraverso il cercatore, muovi lentamente il tubo finché l'oggetto non si trova al centro. Ora osserva tramite l'oculare e vedrai l'immagine dell'oggetto molto ingrandita!

Quando usi il telescopio, sii paziente e presta attenzione. Non maneggiarlo in modo brusco e non spostarlo dalla sua posizione. Con un po' di pratica, imparerai a muovere il tubo del telescopio senza far uscire l'oggetto dal campo visivo dell'oculare.

Drogi Użytkowniku,

Zestaw Levenhuk LabZZ MT2 dla dzieci otwiera drzwi do niesamowitego świata fascynujących odkryć naukowych! Dołączony do zestawu teleskop umożliwi badanie Księżyca, planet i jasnych gwiazd, odkrywanie tajemnic nieskończonego Wszechświata oraz obserwację nawet najdalej położonych obiektów. Z kolei dzięki mikroskopowi można poznać niewidoczny gołym okiem mikroświat – rzeczy tak małe, że bez pomocy specjalnych przyrządów optycznych nie sposób ich dojrzeć! Znajdujący się w komplecie mikroskop pomoże znaleźć odpowiedź na pytanie, z czego zbudowane są przedmioty z otaczającego nas świata oraz poznać sekrety, które umykają nam w życiu codziennym. Odkrycia dokonane przy pomocy zestawu Levenhuk LabZZ MT2 nie tylko poszerzą Twoją wiedzę, ale też sprawią Ci wiele radości.

Przed rozpoczęciem użytkowania z teleskopu lub mikroskopu dokładnie zapoznaj się z całą instrukcją obsługi. Zachowaj ją na przyszłość, gdyż może przydać się później.

Informacje dla rodziców

Drogi Rodzicu! Jako osoba sprawująca opiekę rodzicielską nad dzieckiem odpowiadasz za jego bezpieczeństwo. Podczas użytkowania z mikroskopu lub teleskopu pamiętaj, aby zawsze zapewnić dziecku bezpieczne warunki pracy. Dokładnie zapoznaj się z całą instrukcją obsługi, zwracając szczególną uwagę na instrukcje dotyczące obchodzenia się z przyrządami i ich konserwacji. Nawet jeśli dziecko jest starsze i potrafi już czytać, jeszcze raz powtórz na głos zasady użytkowania przyrządów. Sprawdź, czy dziecko w pełni rozumie te instrukcje.

UWAGA! RYZYKO ZADŁAWIENIA! Przyrządy zawierają drobne części. Teleskop i mikroskop zostały zaprojektowane dla dzieci powyżej 5 i powinny być używane wyłącznie pod nadzorem osoby dorosłej.

Konserwacja i pielęgnacja (mikroskop i teleskop)

- Pod żadnym pozorem nie wolno kierować przyrządu bezpośrednio na słońce, światło laserowe lub inne źródło jasnego światła, ponieważ może to spowodować TRWAŁE USZKODZENIE SIATKÓWKI lub doprowadzić do ŚLEPOTY.
- Korzystaj tylko z profesjonalnych aperturowych filtrów słonecznych, które całkowicie zakrywają przednią część przyrządu. Przednia końcówka szukacza musi być zakryta folią aluminiową lub innym materiałem nieprzezroczystym w celu ochrony wewnętrznych elementów teleskopu przed uszkodzeniem. Aby zapewnić bezpieczeństwo podczas obserwacji Słońca, zalecamy używanie filtrów o gęstości optycznej (OD) równej 5,0. Filtry te przepuszczają zaledwie 0,001% światła słonecznego, zatrzymując pozostałe 99,999%. Najlepszej jakości filtry słoneczne wykonane są z folii Baader AstroSolar.
- Zachowaj szczególną ostrożność, gdy urządzenia używają dzieci lub osoby, które nie w pełni zapoznały się z instrukcjami.
- Wszystkie części teleskopu i mikroskopu znajdują się w jednym opakowaniu. Zachowaj ostrożność podczas rozpakowywania. Zalecamy zachowanie oryginalnego opakowania na przyszłość. Jeśli konieczne będzie dostarczenie teleskopu w inne miejsce, opakowanie przystosowane do transportu pomoże chronić teleskop przed ewentualnymi uszkodzeniami. Upewnij się, że w opakowaniu znajdują się wszystkie elementy. Dokładnie sprawdź jego zawartość, ponieważ niektóre części są małe.
- Nie podejmuj prób samodzielnego demontażu urządzenia, nawet w celu wyczyszczenia lustra. W celu wszelkich napraw i czyszczenia skontaktuj się z punktem serwisowym.
- Nie dotykaj powierzchni optycznych palcami. Do czyszczenia zewnętrznych powierzchni przyrządu używaj tylko specjalnych ściereczek i narzędzi do czyszczenia optyki Levenhuk. Nie czyść układu optycznego za pomocą środków zrączych lub zawierających aceton.
- Chronić przyrząd przed upadkami z wysokości i działaniem nadmiernej siły mechanicznej. Nie należy używać nadmiernej siły podczas ustawiania ostrości. Nie należy dokręcać zbyt mocno śrub blokujących.
- Przyrząd powinien być przechowywany w suchym, chłodnym miejscu, z dala od kurzu, niebezpiecznych kwasów oraz innych substancji chemicznych, grzejników, otwartego ognia i innych źródeł wysokiej temperatury. W przypadku korzystania z przyrządu przez dłuższy czas soczewki obiektywowe i okulary oraz przyrząd należy przechowywać osobno.
- Podczas obserwacji należy zachować ostrożność. Po zakończeniu obserwacji załóż osłonę przeciwpyłową w celu zabezpieczenia przyrządu przed kurzem i zanieczyszczeniami.
- Nie wystawiaj przyrządu na długotrwałe działanie promieni słonecznych. Trzymaj z dala od wody. Nie należy przechowywać w warunkach wysokiej wilgoci.
- Staraj się nie korzystać z mikroskopu w pobliżu łatwopalnych materiałów lub substancji (benzenu, papieru, kartonu, tworzywa sztucznego itp.), ponieważ nagrzewająca się podczas użytkowania podstawa może powodować ryzyko pożaru.
- Przed każdym otwarciem podstawy lub wymianą lampy odłączaj mikroskop od źródła zasilania. Przed wymianą lampy, niezależnie od jej rodzaju (halogenowa lub żarowa), zaczekaj, aż jej temperatura spadnie. Lampy wymieniaj zawsze na modele tego samego typu.
- Substancje chemiczne mogą być szkodliwe dla zdrowia. Używaj tylko tych substancji, które zostały wyszczególnione w instrukcji obsługi. Upewnij się, że Twoje dziecko wie, jak prawidłowo ich używać.
- Miejsce pracy powinno być czyste i uporządkowane. Nie wykonuj prac związanych z próbkami w kuchni i w pobliżu jedzenia. Miejsce to powinno być także odpowiednio oświetlone. Równie ważny jest szybki i wygodny dostęp do źródła czystej wody.
- Na odpady powstałe podczas prowadzonych badań przeznacz osobny pojemnik. Wszystkie substancje płynne powinny być spuszczone do kanalizacji, a nie wylwane do umywalki lub zlewu.
- Barwniki: Błękit metylenowy i oranż metylowy. Nie dotykaj. Przechowuj w miejscu niedostępnym dla dzieci. W przypadku połknięcia natychmiast zasięgnij porady lekarza.
- Klej: Zwykle materia organiczna (na przykład smoła). Nie dotykaj. Przechowuj w miejscu niedostępnym dla dzieci. W przypadku połknięcia natychmiast zasięgnij porady lekarza.
- Zestaw zawiera wszystkie elementy montażowe, jednak w razie potrzeby możesz skorzystać z podstawowego zestawu standardowych narzędzi często dostępnych w domu.
- W przypadku połknięcia małej części lub baterii należy natychmiast zwrócić się o pomoc medyczną.
- Używanie teleskopu przez dzieci może odbywać się tylko pod nadzorem osób dorosłych.

Instrukcje dotyczące bezpiecznego obchodzenia się z bateriami

- Należy używać baterii odpowiedniego typu i w odpowiednim rozmiarze.
- Należy wymieniać wszystkie baterie jednocześnie; nie należy łączyć starych i nowych baterii ani baterii różnych typów.

- Przed włożeniem baterii należy wyczyścić styki baterii i urządzenia.
- Podczas wkładania baterii należy zwracać uwagę na ich bieguny (znaki + i -).
- Jeśli sprzęt nie będzie używany przez dłuższy czas, należy wyjąć baterie.
- Zużyte baterie należy natychmiast wyjąć.
- Nie ładować baterii jednorazowych, ponieważ wiąże się to z ryzykiem wycieku, pożaru lub wybuchu.
- Nie doprowadzać do zwarcia baterii, ponieważ wiąże się to z ryzykiem powstania wysokich temperatur, wycieku lub wybuchu.
- Nie ogrzewać baterii w celu przedłużenia czasu ich działania.
- Nie naruszaj struktury baterii.
- Należy pamiętać o wyłączeniu urządzenia po zakończeniu użytkowania.
- Baterie przechowywać w miejscu niedostępnym dla dzieci, aby uniknąć ryzyka potknięcia, uduszenia lub zatrucia.
- Zużyte baterie należy utylizować zgodnie z przepisami obowiązującymi w danym kraju.

Witamy w mikroświecie!

Mikroskop Levenhuk LabZZ MT2 umożliwi dokonywanie wielu ciekawych odkryć i pozostawia niezapomniane wspomnienia! Pamiętaj jednak, że stosowanie się do zasad bezpieczeństwa jest absolutnie konieczne. W zestawie znajduje się mikroskop oraz wiele przydatnych akcesoriów. Czy zestaw jest kompletny? Sprawdź razem z rodzicami. 4

Budowa mikroskopu 1

1. **Okular.** Okular służy do obserwowania obrazu badanego preparatu w powiększeniu. Jest to układ soczewek, który działa w ten sam sposób co lupa.
2. **Pokrętło regulacji ostrości.** Niewyraźny obraz? Delikatnie obróć pokrętło, dostosowując ostrość tak, aby wszystkie szczegóły obrazu były wyraźnie widoczne. Zachowaj jednak ostrożność – obracaj pokrętło powoli, aby nie uszkodzić obiektywu ani badanego preparatu.
3. **Głowica monokularowa.** Jest to bardzo ważna część mikroskopu. Wiązka światła przesyłana jest w górę tubusu głowicy aż do okularu, gdzie powstaje końcowy obraz.
4. **Miska rewolwerowa.** Jest to urządzenie wyposażone w trzy obiektywy o różnym powiększeniu. Aby zmienić ustawione powiększenie, wystarczy obracać miskę aż do momentu usłyszenia odgłosu kliknięcia (odgłos ten oznacza, że wybrany obiektyw został ustawiony w prawidłowym położeniu).
5. **Obiektyw.** Obiektyw jest niezbędny, aby uzyskać powiększony obraz. Do mikroskopu Levenhuk LabZZ MT2 są dołączone trzy obiektywy o różnym powiększeniu. Powiększają one obraz 75, 300 i 900 razy w porównaniu do tego, co jest widoczne gołym okiem.
6. **Statyw.** Ta zakrzywiona część mikroskopu łączy ze sobą wszystkie pozostałe elementy. Jeśli odczuwasz dyskomfort, patrząc przez okular, przechyl lub unieś statyw tak, aby prowadzenie obserwacji było wygodniejsze. Kąt nachylenia zmieniaj powoli, nie wykonując nagłych ruchów.
7. **Stolik.** To właśnie w tym miejscu umieszcza się preparat, który zamierzasz badać.
8. Stolik posiada dwa **uchwyty na preparaty**, które utrzymują preparaty w wybranym miejscu.
9. **Lusterko** jest się pod stolikiem. Załamuje ono wiązki światła pochodzące z lampy bądź przedostające się przez okno, oświetlając preparat na stoliku.
10. **Oświetlenie.** Jeśli ilość światła w Twoim pokoju jest niewystarczająca, możesz włączyć wbudowane oświetlenie, obracając lusterko. 2
11. **Komora baterii.** Komora baterii jest w podstawie mikroskopu. Do czego służy? To proste – jest to miejsce, w którym umieszcza się baterie zasilające oświetlenie. Więcej informacji na ten temat znajdziesz poniżej.

Jak wygląda praca z mikroskopem?

1. Po pierwsze musisz włożyć baterie, które zasilają oświetlenie. Obróć mikroskop do góry nogami i zdejmij pokrywę zabezpieczającą komorę baterii. Włóż do środka dwie baterie AA (nie są to najcieńsze baterie używane w małych urządzeniach elektronicznych, lecz te nieco grubsze). Umieść baterie zgodnie z polaryzacją – sprawdź, czy znak „+” na baterii znajduje się przy znaku „+” w komorze (ta sama zasada dotyczy znaku „-”). 3 Załóż z powrotem pokrywę zabezpieczającą. Nie bój się poprosić o pomoc osobę dorosłą, jeśli masz wątpliwości.
2. Postaw mikroskop na płaskiej powierzchni w pobliżu źródła jasnego światła (może to być okno lub lampa). Obróć lusterko w kierunku źródła światła. Przez okular możesz teraz zobaczyć jasny punkt świetlny.

UWAGA! Nigdy nie ustawiaj lusterka w stronę Słońca, ponieważ może to spowodować uszkodzenie wzroku, a nawet ślepotę.

3. Teraz mikroskop jest już gotowy do pracy.
4. Przygotowany preparat mikroskopowy połóż na stoliku i zabezpiecz go uchwytami.
5. Wybierz obiektyw, zmieniając pozycję miski rewolwerowej. Do mikroskopu są dołączone trzy obiektywy o różnym powiększeniu. Im dłuższy obiektyw, tym większe jego powiększenie. Dla większości obserwacji najbardziej odpowiednie jest mniejsze powiększenie, dlatego na początek wybierz najkrótszy obiektyw. Gdy wybrany obiektyw zostanie ustawiony w prawidłowym położeniu, usłyszysz kliknięcie.
6. Powoli obracaj pokrętło ustawiania ostrości, aż obiektyw będzie niemal dotykał preparatu. **ALE UWAGA!** Nie może on zetknąć się z preparatem, ponieważ może to skutkować uszkodzeniem zarówno preparatu, jak i obiektywu. Dlatego właśnie czynność tę musisz wykonywać bardzo powoli i ostrożnie. Kiedy obiektyw będzie znajdował się bardzo blisko preparatu (jednak nie może go dotykać!), spójrz przez okular i bardzo powoli obracaj pokrętło ustawiania ostrości w przeciwnym kierunku do momentu, aż zobaczysz wyraźny obraz.

Wspaniały teleskop

Budowa teleskopu 5

1. **Obiektyw.** Jest to najważniejsza część teleskopu. Obiektyw składa się z układu soczewek, który zbiera światło odległych obiektów i odtwarza ich obraz. Element ten powinien być zawsze zwrócony w stronę obiektu, który zamierzasz obserwować. ia obserwowanego obrazu. Dlatego właśnie tubus montowany jest na specjalnej podstawie, którą jest statyw.

2. **Tuba optyczna.** Wiązki światła zebrane przez obiektyw są przesyłane przez tubus optyczny i docierają do okularu.
3. **Okular.** Księżyc, planety i gwiazdy oglądasz właśnie przez okular. Wielokrotnie powiększa on obraz obserwowanych obiektów – dlatego właśnie wszystko, co obserwujesz, wygląda na większe, niż gdy spoglądasz na to gołym okiem.
4. **Ostona przeciwsłoneczna.** Ostona ma postać krótkiej tuby umieszczonej na obiektywie. Jej zadaniem jest zatrzymywanie światła ulicznych latarni, samochodów, światła przedostającego się przez okna, a także pochodzącego z innych pobliskich źródeł. Dzięki niej nie dociera ono do obiektywu, co gwarantuje wysoką jakość obrazu obserwowanego obiektu.
5. **Luneta nastawcza** to mały teleskop zamocowany na tubusie dużego teleskopu. Cechuje się on niewielkim powiększeniem i szerokim polem widzenia (co oznacza, że można obserwować większy obszar). Luneta nastawcza umożliwia szybsze i łatwiejsze znajdowanie szukanych obiektów. Po znalezieniu obiektu za pomocą lunety nastawczej można obserwować go w większym powiększeniu przez teleskop.
6. **Wspornik lunety nastawczej** służy przymocowaniu jej do tubusu teleskopu.
7. **Wyciąg** to specjalne urządzenie, w którym umieszczony jest okular. Umożliwia on przybliżanie okularu do obiektywu lub oddalanie go od niego. W ten sposób można uzyskać maksymalną wyrazistość obrazu.
8. Jeśli oglądany przez okular obraz jest niewyraźny, ostrożnie obróć **pokrętło regulacji ostrości**.
9. **Lustro diagonalne.** Jeśli zamierzasz obserwować obiekty znajdujące się nad Twoją głową, użyj lustra diagonalnego, aby uniknąć przechylenia głowy do tyłu. Lustro diagonalne jest zamontowane w wyciągu. Odbija ono wiązki światła, co pozwala na zajęcie wygodniejszej pozycji w czasie prowadzenia obserwacji.
10. **Montaż azymutalny** jest specjalnym mechanizmem, który umożliwia zmianę pozycji tubusu teleskopu w górę i w dół oraz naboki.
11. **Pokrętło blokujące teleskop w poziomie** zmienia pozycję tubusu w poziomie.
12. **Pokrętło blokujące teleskop w pionie** zmienia pozycję tubusu w pionie.
13. **Pokrętło mikroruchów.** Teleskop jest bardzo wrażliwym przyrządem, dlatego też aby dokonać bardzo precyzyjnego ustawienia pozycji tubusu, musisz skorzystać z pokrętła mikroruchów. Pozwala ono na bardzo płynną regulację bez przeskoków.
14. **Statyw stołowy.** Teleskop musi cechować się wyjątkową stabilnością, aby uniknąć drgania obserwowanego obrazu. Dlatego właśnie tubus montowany jest na specjalnej podstawie, którą jest statyw.

Jak prawidłowo złożyć teleskop? 6

Prawidłowe złożenie teleskopu jest niezwykle ważne dla jego właściwego działania. Dobrze przyjrzyj się swojemu teleskopowi. Spróbuj zapamiętać nazwy jego części, ich lokalizację i funkcje. Najlepiej będzie, jeśli złożysz swój teleskop z pomocą osoby dorosłej.

1. Otwórz pudełko i wyjmij z niego wszystkie elementy. Po opróżnieniu opakowania dokładnie sprawdź, czy na pewno jest ono puste – małe części zestawu mogą wciąż być w środku.
2. Rozstaw nogi statywu na płaskiej powierzchni, tak aby stał on stabilnie.
3. Znajdź śrubę mocującą umieszczoną na spodzie teleskopu. Poluzuj ją i umieść teleskop na montażu. Wprowadź śrubę do otworów znajdujących się na teleskopie i na montażu. Następnie dokręć ją. **UWAGA! Unikaj zbyt mocnego dokręcania śruby, ponieważ może to doprowadzić do uszkodzenia gwintu.**
4. Poluzuj śruby mocujące lunety nastawczej i wsuń ją w podstawę szukacza. Następnie ostrożnie dokręć śruby. Luneta powinna zostać zamontowana tak, aby była skierowana w tę samą stronę co tubus teleskopu.

Na czym polega praca z teleskopem?

Bardzo ważne jest, aby przed rozpoczęciem obserwacji prawidłowo zamontować okulary i wszystkie dodatkowe elementy.

Wyciąg: maksymalnie obróć pokrętło regulacji ostrości w stronę teleskopu. Następnie zacznij powoli obracać pokrętło w przeciwnym kierunku do momentu, aż obraz stanie się wyraźny. **UWAGA! Przed ustawieniem ostrości obrazu sprawdź, czy okular został włożony do wyciągu.** W przeciwnym razie obraz nie będzie widoczny.

Okular 18 mm: w opakowaniu oprócz teleskopu znajdziesz dwa okulary. Im mniejsza jest liczba podana na okularze, tym większe będzie jego powiększenie. Najlepiej jest rozpocząć obserwację, wykorzystując okular o małym powiększeniu i szerokim polu widzenia. Okular odwracający 18 mm może być stosowany do obserwacji Księżyca i planet. Przy jego użyciu obejrzysz także odległe obiekty ziemskie, w tym budynki, wieże i anteny! **UWAGA! Okular odwracający 18 mm powinien być umieszczony bezpośrednio wewnątrz wyciągu bez lustra diagonalnego.**

Lustro diagonalne: wyjmij okular odwracający i włóż lustro diagonalne do wyciągu. 7

Okular H12,5 mm: po umieszczeniu lustra diagonalnego w wyciągu, włóż do niego okular H12,5 mm. Najlepiej rozpocząć obserwację, używając okularu o małym powiększeniu i szerokim polu widzenia.

Jak rozpocząć obserwację?

UWAGA! Nigdy nie patrz przez teleskop na Słońce ani otaczające je niebo! Może to skutkować uszkodzeniem wzroku, a nawet ślepotą!

Przed rozpoczęciem odkrywania Kosmosu dobrze jest nauczyć się obsługi teleskopu w ciągu dnia. Użyj okularu odwracającego 18 mm, aby obserwować rozmaite obiekty ziemskie – domy, drzewa, anteny na dachach i wiele innych! W ten sposób nauczysz się obsługi teleskopu i ustawiania ostrości dla wybranych obiektów. Ponadto sprawi Ci to prawdziwą przyjemność!

UWAGA! Teleskop powinien być używany w miejscu osłoniętym przed wiatrem.

Kiedy rozpoczniesz już obserwację Księżyca, planet i gwiazd nocą, pamiętaj, aby wybrać się w miejsce oddalone od latarni ulicznych, świateł samochodów i światła przedostającego się przez okna budynków. Postaraj się prowadzić nocne obserwacje, gdy światło gwiazd jest jasne i równomierne.

Skieruj teleskop na wybrany obiekt, na przykład Księżyc. Patrząc przez lunetę nastawczą, powoli zmieniaj pozycję tubusu, aż obiekt będzie znajdował się na samym środku obrazu. Gdy spojrzysz przez okular, zobaczysz wielokrotnie powiększony obraz obserwowanego obiektu!

Pracując z teleskopem, zachowaj ostrożność i cierpliwość. Nie popychaj go ani nie przesuwaj z miejsca, w którym stoi. Po zdobyciu odrobiny doświadczenia nauczysz się zmieniać pozycję tubusu teleskopu bez utraty obiektu z pola widzenia okularu.

Caro amigo!

O Kit LabZZ MT2 da Levenhuk para crianças irá apresentar o fantástico mundo das emocionantes descobertas científicas! Com o telescópio incluído no kit, é possível estudar a Lua, os planetas e as estrelas brilhantes, desvendar os mistérios do cosmos infinito e observar os objetos mais distantes. Por outro lado, com o microscópio pode testemunhar o invisível: objetos tão pequenos que não podem ser vistos a olho nu! O microscópio no kit ajuda a descobrir do que são feitas as coisas à nossa volta e quais os tipos de segredos que nos são ocultados na vida diária. A experiência com o kit LabZZ MT2 da Levenhuk será tão informativa quanto divertida.

Leia atentamente todo o manual antes de utilizar o telescópio ou o microscópio. Não o perca, pois poderá ser necessário mais tarde.

Informação para os pais

Caro adulto! Lembre-se de que é sempre responsável pelo seu filho. Garanta sempre a segurança da criança ao trabalhar com o microscópio ou o telescópio. Leia cuidadosamente todo o manual, especialmente as instruções de manuseio e manutenção. Mesmo que o seu filho tenha idade suficiente e leia bem, repita todas as regras em voz alta mais uma vez antes de começar a trabalhar com os instrumentos. Certifique-se de que a criança compreende claramente estas instruções.

ATENÇÃO! PERIGO DE ASFIXIA! Estes dispositivos incluem peças pequenas. O telescópio e o microscópio foram concebidos para crianças com mais de 5 anos de idade e devem ser utilizados apenas sob supervisão de adultos.

Cuidado e manutenção (microscópio e telescópio)

- Nunca, em qualquer circunstância, olhe diretamente para o Sol, ou para outra fonte de luz intensa, ou para um laser através deste dispositivo, pois isso pode causar DANOS PERMANENTES À RETINA e pode levar à CEGUEIRA.
- APENAS deve observar o sol com um filtro de abertura solar profissional que cubra totalmente a parte dianteira do instrumento. A parte dianteira do apontador tem de ser coberta com uma folha de alumínio ou outro material não transparente para proteger as partes internas do telescópio de danos. Para observações solares seguras, recomendamos a utilização de filtros com densidade ótica (OD) de 5,0. Tais filtros transmitem apenas 0,001% da luz solar, bloqueando os restantes 99,999%. Os filtros solares mais fiáveis são feitos de película Baader AstroSolar.
- Tome as precauções necessárias quando usar o dispositivo com crianças, ou com outras pessoas que não leram, ou não compreenderam totalmente estas instruções.
- Todas as peças do telescópio e microscópio serão entregues numa caixa. Tenha especial cuidado ao abrir a embalagem. Recomendamos que guarde as embalagens de envio originais. Caso o telescópio tenha de ser enviado para outra localização, ter as embalagens de transporte adequadas irá ajudar a garantir que o seu telescópio sobrevive à viagem intacto. Certifique-se de que todas as peças estão presentes na embalagem. Certifique-se de que inspeciona a caixa cuidadosamente, porque algumas peças são muito pequenas.
- Não tente desmontar o dispositivo por conta própria por qualquer motivo. Para fazer consertos de qualquer tipo, por favor entre em contato com seu centro de serviços especializados.
- Não toque nas superfícies óticas com seus dedos. Para limpar o exterior do dispositivo, use apenas lenços especiais para limpeza e ferramentas especiais de limpeza ótica da Levenhuk. Não utilize fluidos corrosivos, nem baseados em acetona para limpar as partes óticas.
- Proteja o dispositivo de impactos súbitos e de força mecânica excessiva. Não aplique pressão excessiva quando estiver ajustando o foco. Não aperte demasiado os parafusos de bloqueio.
- Se não utilizar o microscópio durante muito tempo, guarde as objetivas e os oculares separadamente do microscópio.
- Se não utilizar o dispositivo durante muito tempo, guarde as objetivas e os oculares separadamente do dispositivo.
- Não use o dispositivo por períodos de tempo muito longos, nem o deixe abandonado sob a luz direta do Sol. Mantenha longe de água e alta umidade.
- Partículas abrasivas, como areia, não devem ser removidas com um pano. Em vez disso, sobre-as, ou retire-as com um pincel suave.
- Guarde o dispositivo em um local seco e fresco, longe de ácidos perigosos e outros produtos químicos, de aquecedores, de fogo e de outras fontes de altas temperaturas.
- Ao utilizar o microscópio, não o faça próximo de materiais ou substâncias inflamáveis (benzeno, papel, cartão, plástico, etc.), uma vez que a base pode aquecer durante o uso e provocar um incêndio.
- Os produtos químicos podem ser nocivos para a saúde humana. Utilize apenas os especificados no manual do utilizador. Certifique-se de que o seu filho sabe como utilizá-los corretamente.
- O local de trabalho deve ser mantido limpo e arrumado. Não trabalhe com espécimes na cozinha perto de alimentos. A área deve estar bem iluminada. Também deve ter acesso rápido e conveniente a água potável.
- Utilize um balde separado para os resíduos. Todos os líquidos devem ser despejados no ralo, não no lavatório.
- Corantes: Azul de metileno e alaranjado de metilo. Não se pode ingerir. Mantenha fora do alcance das crianças. Se ingerido, contacte um médico imediatamente.
- Cola: Material geralmente orgânico (por exemplo, resina). Não se pode ingerir. Mantenha fora do alcance das crianças. Se ingerido, contacte um médico imediatamente.
- O kit inclui tudo o que é necessário para a montagem, mas se necessitar de alguma ferramenta adicional, pode utilizar um conjunto básico de instrumentos padrão que quase todas as pessoas têm em casa.
- Procure um médico imediatamente se uma peça pequena ou uma pilha for engolida.
- As crianças só devem utilizar o microscópio sob a supervisão de um adulto.

Instruções de segurança da bateria

- Compre sempre baterias do tamanho e grau mais adequados para o uso pretendido.
- Substitua sempre o conjunto de baterias de uma só vez; tome cuidado para não misturar baterias antigas com novas, ou baterias de tipos diferentes.
- Limpe os contactos da bateria, e também os do dispositivo, antes da instalação da bateria.
- Certifique-se de que as baterias estão instaladas corretamente no que respeita à sua polaridade (+ e -).
- Remova as baterias do equipamento se este não for ser usado por um período prolongado de tempo.
- Remova as baterias usadas prontamente.
- Nunca tente recarregar baterias primárias, pois isso pode causar derrame, incêndio ou explosão.

- Nunca coloque as baterias em curto-circuito, pois isso pode causar altas temperaturas, derrame ou explosão.
- Nunca aqueça as baterias com o intuito de as reanimar. Não desmonte as baterias.
- Lembre-se de desligar os dispositivos após a utilização.
- Mantenha as baterias fora do alcance das crianças, para evitar o risco de ingestão, sufocação ou envenenamento.
- Use as baterias da forma prescrita pelas leis do seu país.

Bem-vindo ao micromundo!

Com o microscópio LabZZ MT2 da Levenhuk, é possível fazer muitas descobertas interessantes e criar memórias emocionantes! Atenção que as seguintes regras de segurança são absolutamente necessárias. No kit, encontra-se o microscópio, bem como muitos acessórios úteis. Tudo preparado? Deve ser confirmado com os seus pais. 4

Peças do microscópio 1

1. **Ocular.** A imagem ampliada da amostra é observada através da ocular. A ocular é um sistema de lentes que funciona da mesma forma que uma lupa.
2. **Botão de focagem.** Imagens desfocadas? Basta rodar o botão suavemente, ajustando o foco até que todos os detalhes se tornem nítidos. Deve ter-se cuidado e girar o botão lentamente, de modo a não danificar a objetiva ou a lâmina observada.
3. **Cabeça monocular.** Esta é uma parte muito importante do microscópio. A luz percorre o tubo da cabeça diretamente até à ocular, onde a imagem resultante é formada.
4. **Revólver giratório.** Este é um dispositivo que contém três objetivas com ampliações diferentes. Para alterar a ampliação, o revólver giratório deverá ser rodado até se ouvir um clique (o som significa que a objetiva escolhida está no devido lugar).
5. **Objetiva.** É necessária para ampliar imagens. O microscópio LabZZ MT2 da Levenhuk inclui três objetivas com ampliações diferentes. Ampliam as imagens 75, 300 e 900 vezes em comparação com o que é visto a olho nu.
6. **Suporte.** Esta parte curvada do microscópio liga todas as outras partes. Se ocorrer algum desconforto ao olhar através da ocular, o suporte deverá ser inclinado ou levantado até ficar mais confortável. Altere o ângulo de inclinação lentamente, sem movimentos bruscos.
7. **Platina.** É exatamente aqui que é colocada a lâmina para ser observada.
8. A platina tem dois **suportes de lâminas**, que mantêm as lâminas no devido lugar.
9. **O espelho** encontra-se na platina. Reflete a luz da lâmpada ou da janela que ilumina a amostra na platina.
10. **Lâmpada de iluminação.** Se a iluminação no quarto não for suficiente, a iluminação incorporada deverá ser acesa, virando o espelho. 2
11. **Compartimento das pilhas.** O compartimento da bateria está na base do microscópio. Para que serve? É muito simples - é onde são colocadas as baterias para que a iluminação funcione. Mais detalhes sobre como funciona podem ser encontrados abaixo.

Como utilizar o microscópio

1. Primeiro, deverão ser colocadas as pilhas para a iluminação. Vire o microscópio e remova a tampa do compartimento das pilhas. Insira duas pilhas AA (não são as pilhas para caneta ótica mais finas, mas as que são um pouco mais grossas). Insira as pilhas de acordo com a sua polaridade - certifique-se de que o sinal “+” na pilha corresponde a “+” no compartimento (o mesmo se aplica ao sinal “-”). 3
2. O microscópio deverá ser colocado numa superfície plana perto da fonte de luz brilhante (janela ou lâmpada). Rode o espelho em direção à origem da iluminação. Deve ver-se um ponto de luz brilhante através da ocular.

ATENÇÃO! Nunca, em qualquer circunstância, olhe diretamente para o Sol, ou para outra fonte de luz intensa, ou para um laser através deste dispositivo, pois isso pode causar danos permanentes à retina e pode levar à cegueira.

3. Agora, o microscópio está pronto a funcionar.
4. A lâmina de microscópio preparada deverá ser colocada na platina e presa com os suportes.
5. A objetiva é selecionada, rodando o revólver giratório. O microscópio inclui três objetivas com ampliações diferentes. Quanto mais longa for a objetiva, maior será a ampliação que produz. A maioria das observações é melhor executada com uma ampliação inferior, pelo que deverá ser escolhida a objetiva mais curta para começar. Será ouvido um “clique” quando a objetiva estiver no devido lugar.
6. O botão de focagem deve ser rodado lentamente, para que a objetiva esteja quase a tocar na lâmina. **MAS ATENÇÃO!** Não deve tocar mesmo na lâmina, porque a lâmina e a objetiva podem ficar danificadas. É por isso que tudo tem de ser feito muito lentamente e com muito cuidado. Quando a objetiva estiver muito perto da lâmina (mas sem tocar!), olhe através da ocular e comece a rodar o botão de focagem na direção oposta muito lentamente até ver uma imagem nítida.

Telescópio maravilhoso

Construção do telescópio 5

1. **Objetiva.** A parte mais importante do telescópio. A objetiva é um sistema de lentes que captura a luz do objeto distante e forma a sua imagem. A objetiva deve sempre ser apontada na direção do objeto a observar.
2. **Tubo ótico.** Os raios de luz capturados pela objetiva percorrem o tubo ótico para entrarem na ocular.
3. **Ocular.** Pode ver-se a Lua, os planetas e as estrelas através da ocular. A ocular amplia imagens de objetos muitas vezes e é por isso que todos os objetos parecem maiores do que quando observados a olho nu.
4. **Proteção da luz solar.** A proteção da luz solar é um tubo curto que é colocado na objetiva. É necessário para não permitir que a luz das lâmpadas de rua, luzes dos carros, janelas e outras fontes de luz próximas entrem na objetiva e estraguem a imagem resultante do objeto a observar.
5. **Buscador** — é um pequeno telescópio que está fixo ao tubo do telescópio grande. O buscador tem uma pequena ampliação e um campo de visão amplo (este último significa que podem ser vistas áreas maiores ao mesmo tempo). O buscador serve para ajudar a encontrar o objeto pretendido de forma mais rápida e fácil. Após o objeto ser encontrado com o buscador, pode ser observado em detalhe através do telescópio.
6. **Suporte do buscador** é necessário para fixar o buscador ao tubo do telescópio.

7. **Tubo de focagem** – é um dispositivo especial no qual a ocular está inserida. O tubo de focagem é necessário para aproximar ou afastar a ocular da objetiva. Assim, é possível obter a máxima nitidez das imagens.
8. Se a imagem vista através da ocular não estiver nítida, rode o **botão de focagem** com cuidado.
9. **Espelho diagonal**. Para observar objetos bem acima da cabeça, utilize o espelho diagonal para que não tenha de inclinar a cabeça para trás. O espelho diagonal está inserido no focalizador. Desvia os raios de luz para que seja possível observar a partir de uma posição mais confortável.
10. **Montagem altazimutal** – é um mecanismo especial que permite mover o tubo do telescópio para cima e para baixo, para a direita e para a esquerda.
11. **Botão de bloqueio do azimute** move o tubo na horizontal.
12. **Botão de bloqueio de altitude** move o tubo na vertical.
13. **Controlo de movimento lento**. O telescópio é um instrumento muito sensível, pelo que, para apontar de modo mais preciso, é necessário utilizar o controlo de movimento lento. Este controlo permite mover o tubo muito suavemente e sem solavancos.
14. **Tripé de mesa**. O telescópio deve estar muito estável para que as imagens visualizadas não fiquem tremidas. Por isso, o tubo está instalado num suporte especial – o tripé.

Como montar o telescópio 6

É muito importante montar o telescópio corretamente para que funcione da forma certa. Examine o telescópio cuidadosamente. Tente lembrar-se dos nomes das peças, onde fica cada peça e para o que é necessária. É melhor montar o telescópio com ajuda de um adulto.

1. Abra a caixa e retire todas as peças. Verifique novamente a caixa quando estiver vazia, porque podem ter lá ficado algumas peças pequenas.
2. Afaste as pernas do tripé e instale-as numa superfície plana, para que fique estável.
3. Encontre o parafuso de montagem no telescópio (localizado por baixo). Desaperte-o e coloque o telescópio na montagem. Insira o parafuso nos orifícios no telescópio e na montagem. Aperte cuidadosamente. **ATENÇÃO! Não aperte demasiado o parafuso, porque pode danificar acidentalmente a rosca.**
4. Desaperte os parafusos de montagem do buscador e faça deslizar na base do buscador. Aperte cuidadosamente os parafusos. O buscador deve ser instalado de modo a apontar na mesma direção que o tubo do telescópio.

Como utilizar o telescópio

Antes de iniciar as observações, é muito importante instalar as oculares e todas as peças adicionais corretamente.

Tubo de focagem: rode o botão de focagem na direção do telescópio até ao máximo. Em seguida, comece a girar o botão na sua direção muito lentamente até que a imagem fique clara. **ATENÇÃO! Antes de focar a vista (ajustando a nitidez), a ocular deverá estar inserida no focalizador.** Caso contrário, não será possível ver uma imagem.

Ocular de 18 mm: na caixa do telescópio encontram-se duas oculares. Quanto mais baixo for o número na ocular, maior será a ampliação. É melhor começar a observar utilizando uma ocular com uma ampliação baixa e um campo de visão amplo. O sistema de alongamento da ocular de 18 mm pode ser utilizado para observações lunares e planetárias, bem como para observar um elevado número de objetos terrestres distantes, tais como edifícios, torres, antenas e muitos outros! **ATENÇÃO! O sistema de alongamento da ocular de 18 mm deve ser inserido diretamente no focalizador, sem o espelho diagonal.**

Espelho diagonal: retire a sistema de alongamento da ocular e insira o espelho diagonal no focalizador. 7

Ocular H 12,5 mm: após a inserção do espelho diagonal no focalizador, deverá ser inserida a ocular H 12,5 mm no mesmo. É melhor começar a utilizar uma ocular com pouca ampliação e um amplo campo de visão.

Como começar a observar

ATENÇÃO! Nunca, em qualquer circunstância, olhe diretamente para o Sol, ou para outra fonte de luz intensa, ou para um laser através deste dispositivo, pois isso pode causar danos permanentes à retina e pode levar à cegueira.

Antes de começar a explorar o cosmos, é necessário aprender a utilizar o telescópio durante o dia. Com sistema de alongamento da ocular de 18 mm, é possível observar diferentes objetos terrestres: casas, árvores, antenas nos telhados e muito mais! Desta forma, é possível aprender a controlar o telescópio e a concentrar-se nos objetos pretendidos. Além disso, é muito divertido! **ATENÇÃO! O telescópio deve ser utilizado num local protegido do vento.**

Quando chegar à observação da Lua, planetas e estrelas à noite, deverão ser escolhidos locais longe de luzes da rua, dos carros e das janelas. Tente observar em noites em que as estrelas têm um brilho forte e uniforme.

Aponte o telescópio para o objeto pretendido, como, por exemplo, a Lua. Olhando através do buscador, mova lentamente o tubo até que o objeto esteja no centro. Agora, através da ocular, é possível ver a imagem do objeto ampliado muitas vezes!

Ao utilizar o telescópio, é necessário ter cuidado e paciência. Não o empurre e não o tire do lugar. Após algum treino, é possível aprender a mover o tubo do telescópio sem perder o objeto na ocular.

Дорогой друг!

Детский набор Levenhuk LabZZ MT2 откроет тебе двери в мир захватывающих научных исследований! С помощью телескопа ты сможешь изучать Луну, планеты и яркие звезды, разгадывать загадки огромного космоса и наблюдать за далекими предметами. Микроскоп позволит тебе в деталях разглядеть все, что нельзя увидеть невооруженным глазом, и поможет тебе раскрыть множество тайн окружающих нас предметов. Мы надеемся, что время, проведенное с набором Levenhuk LabZZ MT2, будет тебе и полезным, и очень увлекательным.

Внимательно прочти всю инструкцию перед использованием телескопа и микроскопа. Не теряй ее: она может еще понадобиться.

Информация для родителей

Уважаемые взрослые! Помните, что вы несете ответственность за ребенка. Сделайте все возможное для обеспечения его полной безопасности при работе с телескопом и микроскопом. Внимательно прочтите всю инструкцию, особенно правила обращения с приборами и ухода за ними. Даже если ребенок достаточно взрослый и прекрасно умеет читать, проговорите с ним все эти правила вслух. Убедитесь, что ребенок твердо усвоил их ДО начала работы.

ВНИМАНИЕ! ОПАСНОСТЬ УДУШЬЯ! В этих приборах есть мелкие детали. Телескоп и микроскоп предназначены для детей не младше 5 лет. Работать с ними можно только под присмотром взрослых.

Уход и хранение (микроскоп и телескоп)

- Никогда не смотрите в прибор на Солнце или область рядом с ним, на источник яркого света и лазерного излучения – ЭТО ОПАСНО ДЛЯ ЗРЕНИЯ И МОЖЕТ ПРИВЕСТИ К СЛЕПОТЕ!
- Наблюдение Солнца в телескоп возможно ТОЛЬКО с использованием специального солнцезащитного фильтра.
- Используйте только профессиональные солнечные апертурные фильтры, закрывающие переднюю часть прибора. Лицевая часть искателя должна быть закрыта алюминиевой фольгой или другим непрозрачным материалом – это защитит внутренние части телескопа от повреждений. Для безопасного наблюдения Солнца мы рекомендуем солнечные фильтры с оптической плотностью (D) 5,0. Такие фильтры пропускают всего 0,001% часть видимого света, блокируя оставшиеся 99,999%. Чаще всего надежные солнечные фильтры делают из пленки Baader AstroSolar™.
- Будьте внимательны, если пользуетесь прибором вместе с детьми или людьми, не ознакомленными с инструкцией.
- Все части телескопа и микроскопа поставляются в одной коробке. Распаковывая коробку, будьте аккуратны и осторожны. Рекомендуем сохранить упаковку: использование оригинальной упаковки во время перевозки гарантирует целостность и сохранность инструмента. Убедитесь в наличии всех частей комплекта поставки. Внимательно осмотрите коробку, так как некоторые детали имеют малые размеры и могут затеряться.
- Не разбирайте приборы. Сервисные и ремонтные работы могут проводиться только в специализированном сервисном центре.
- Не касайтесь пальцами поверхностей линз. Очищайте поверхность линз окуляров сжатым воздухом или мягкой салфеткой для чистки оптики. Для внешней очистки приборов используйте специальную салфетку и специальные чистящие средства, например оригинальные средства Levenhuk для чистки оптики.
- Берегите приборы от резких ударов и чрезмерных механических воздействий. Не прикладывайте чрезмерных усилий при настройке фокуса. Не затягивайте стопорные и фиксирующие винты слишком туго.
- Если объективы и окуляры не используются долгое время, храните их упакованными в сухую коробку, отдельно от приборов.
- Работайте с приборами аккуратно, надевайте на них пылезащитные чехлы после работы, чтобы защитить их от пыли и масляных пятен.
- Не подвергайте приборы длительному воздействию прямых солнечных лучей. Не используйте приборы в условиях повышенной влажности и не погружайте их в воду.
- Не используйте микроскоп рядом с воспламеняемыми материалами, так как основание микроскопа может нагреться во время работы.
- Всегда отключайте микроскоп от электросети прежде чем открывать батарейный отсек или менять лампу подсветки. Перед заменой лампы дайте ей остыть и всегда меняйте ее на лампу того же типа.
- Химикаты могут нанести вред здоровью. Следует использовать только те средства для препаратов, которые указаны в инструкции. Убедитесь, что ребенок знает, как правильно обращаться с химикатами.
- Рабочее место следует держать в чистоте и порядке. Не следует работать с препаратами там, где рядом есть продукты питания. В помещении должно быть хорошее освещение. Необходим быстрый и удобный доступ к чистой воде.
- Для отходов следует использовать отдельное ведро. Все ненужные растворы надо выливать в канализацию, а не в раковину.
- Красители: метиленовый синий и метиловый оранжевый. Не глотать. Хранить в недоступном для детей месте. При проглатывании обратиться за медицинской помощью.
- Фиксатор: обычно при работе с препаратами используют органические фиксаторы. Не глотать. Хранить в недоступном для детей месте. При проглатывании обратиться за медицинской помощью.
- Обычно в комплект поставки входят все инструменты, необходимые для сборки. Если для сборки прибора чего-то не хватает, можно использовать простые инструменты из обычного набора, который есть практически в каждом доме.
- Если деталь прибора или элемент питания были проглочены, срочно обратитесь за медицинской помощью.
- Дети могут пользоваться телескопом только под присмотром взрослых.

Использование элементов питания

- Всегда используйте элементы питания подходящего размера и соответствующего типа.
- При необходимости замены элементов питания меняйте сразу весь комплект, не смешивайте старые и новые элементы питания и не используйте элементы питания разных типов одновременно.
- Перед установкой элементов питания очистите контакты элементов и контакты в корпусе прибора.
- Устанавливайте элементы питания в соответствии с указанной полярностью (+ и -).
- Если прибор не используется длительное время, следует вынуть из него элементы питания.

- Оперативно вынимайте из прибора использованные элементы питания.
- Не пытайтесь перезарядить гальванические элементы питания - они могут протечь, воспламениться или взорваться.
- Никогда не закорачивайте полюса элементов питания – это может привести к их перегреву, протечке или взрыву.
- Не пытайтесь нагревать элементы питания, чтобы восстановить их работоспособность.
- Не разбирайте батарейки.
- Выключайте прибор после использования.
- Храните элементы питания в недоступном для детей месте, чтобы избежать риска их проглатывания, удушья или отравления.
- Утилизируйте использованные батарейки в соответствии с предписаниями закона.

Добро пожаловать в микромир!

Микроскоп Levenhuk LabZZ MT2 поможет тебе совершить множество новых открытий и подарит много увлекательных воспоминаний. Не забывай соблюдать обязательные правила предосторожности. В комплекте ты найдешь сам микроскоп и много полезных вещей для него. Все ли на месте? Проверь вместе с родителями. ④

Как устроен микроскоп ①

1. **Окуляр** – через него ты смотришь на увеличенное изображение препарата. Окуляр – это система линз, которая работает так же, как увеличительное стекло.
2. **Ручка фокусировки**. Нечеткое изображение? Плавно крути эту ручку, наводя резкость, пока все детали не станут ясно видны. Будь осторожен – ручку надо крутить медленно, чтобы не повредить объектив и препарат.
3. **Тубус микроскопа**. Это очень важная деталь микроскопа. По этой трубе проходит свет, прямо в окуляр, где и создается изображение изучаемого препарата.
4. **Револьверное устройство**. Здесь установлены три объектива с разными увеличениями. Каждый раз поворачивай устройство до щелчка, чтобы выбранный объектив встал на место.
5. **Объектив**. Это приспособление нужно для увеличения изображения. Три разных объектива из комплекта увеличивают изображение в 75, 300 и 900 раз по сравнению с тем, что видно невооруженным глазом.
6. **Штатив**. Эта изогнутая деталь соединяет все детали микроскопа. Если неудобно смотреть в окуляр – измени наклон штатива так, чтобы стало удобно. Делай это плавно, без резких движений.
7. **Предметный столик**. Это подставка, закрепленная на микроскопе, куда надо класть препараты для изучения.
8. На предметном столике есть два **зажима** – они помогут удерживать препараты на месте.
9. **Зеркало** расположено под предметным столиком. Оно преломляет свет от окна или лампы, освещая препарат на предметном столике.
10. **Лампочка подсветки**. Если уличного света или комнатного освещения недостаточно, можно включить подсветку, перевернув зеркало. ②
11. **Батарейный отсек**. В основании микроскопа находится батарейный отсек. Это специальная выемка с контактами, в которую надо поставить батарейки, чтобы работала подсветка.

Как работать с микроскопом

1. Сначала установи батарейки для подсветки. Переверни микроскоп и сними крышку батарейного отсека. Вставь две батарейки класса AA. Обязательно соблюдай полярность батареек – то есть смотри, чтобы плюс на батарейке совпадал с плюсом на батарейном отсеке, а минус с минусом. ③ Закрой крышку.
2. Поставь микроскоп на ровную поверхность, рядом с источником яркого света (окном или настольной лампой). Поверни зеркало к источнику света. Теперь в окуляре должно быть видно яркое пятно света.

ВНИМАНИЕ! Нельзя направлять зеркало на Солнце, так ты повредишь зрение и даже можешь ослепнуть.

3. Теперь микроскоп готов к использованию.
4. Возьми готовый препарат, положи его на предметный столик и прижми зажимами.
5. Выбери объектив, поворачивая револьверное устройство. В комплекте к микроскопу идут три объектива с разным увеличением. Более длинные объективы дают большее увеличение. Большинство наблюдений лучше проводить при меньшем увеличении, так что сначала выбери самый короткий объектив. Когда объектив встает на место, раздается щелчок.
6. Медленно вращай ручку фокусировки так, чтобы объектив опустился почти до самого препарата. **НО!** Объектив не должен коснуться препарата, иначе можно повредить и объектив, и препарат. Поэтому делай все очень медленно и плавно. Когда объектив опустился почти до препарата, посмотри в окуляр и медленно поворачивай ручку фокусировки в обратную сторону, пока не увидишь четкое изображение.

Удивительный телескоп

Как устроен телескоп? ⑤

1. **Объектив**. Это самая важная часть телескопа. Объектив – это система линз, которая собирает лучи света от удаленного объекта и формирует его изображение. Объектив нужно всегда направлять в сторону того объекта, который ты хочешь рассмотреть.
2. **Труба телескопа**. По трубе телескопа лучи света, собранные объективом, попадают в окуляр.
3. **Окуляр**. Именно через окуляр ты смотришь на Луну, планеты и звезды. Окуляр увеличивает изображение, поэтому все объекты выглядят крупнее, чем их можно увидеть невооруженным глазом.
4. **Защитная бленда**. Бленда – это короткая трубка, которая надевается на объектив. Это нужно, чтобы свет от фонарей, фар, окон и других ближних источников не попал в объектив и не мешал получить изображение удаленных объектов.

5. **Искатель** — это маленький телескоп, который крепится к трубе большого телескопа. Искатель имеет небольшое увеличение и широкое поле зрения (то есть позволяет охватить взглядом большее пространство). С помощью искателя гораздо легче найти интересующий тебя объект, чтобы потом как следует рассмотреть его в телескоп.
6. **Крепление для искателя** нужно, чтобы установить искатель на трубу телескопа.
7. **Фокусер** — это устройство, в которое вставляется окуляр. Фокусер нужен, чтобы перемещать окуляр ближе к объективу или дальше от него. Плавно меняя положение окуляра, ты сможешь добиться максимальной четкости изображения.
8. Если изображение в окуляре нечеткое, нужно осторожно покрутить **ручку фокусировки**.
9. **Диагональное зеркало**. Когда ты хочешь рассмотреть объекты, находящиеся высоко над головой, используй диагональное зеркало, чтобы не запрокидывать голову. Это устройство устанавливается в фокусер и отклоняет лучи света, позволяя вести наблюдения из более удобного положения.
10. **Азимутальная монтировка** — это специальный механизм, с помощью которого ты сможешь передвигать трубу телескопа вверх-вниз и вправо-влево.
11. **Винт регулировки по азимуту** служит для движения телескопа по горизонтали.
12. **Винт регулировки по высоте** используется для движения трубы телескопа по вертикали.
13. **Механизм тонких движений**. Телескоп — это чувствительный инструмент, поэтому для точного наведения на объект нужно использовать механизм тонких движений. С помощью этого механизма ты сможешь передвигать трубу телескопа очень плавно, без скачков.
14. **Настольная тренога**. Чтобы изображение в окуляре не дрожало, положение телескопа должно быть очень устойчивым. Для этого труба телескопа устанавливается на специальную опору - треногу.

Как собрать телескоп 6

Чтобы телескоп работал как положено, важно правильно его собрать. Подробно изучи телескоп. Выучи названия всех его частей и их расположение. Запомни, зачем нужны все детали телескопа. Собирать телескоп лучше с кем-то из старших.

1. Открой коробку и вытащи все детали. Внимательно осмотри пустую коробку — мелкие детали могут затеряться.
2. Раздвинь ножки треноги и установи ее на ровной поверхности так, чтобы ее положение было устойчивым.
3. Найди крепежный винт на телескопе (находится снизу). Отвинти его и установи телескоп на монтировку. Вставь винт в отверстие на монтировке и креплении телескопа. Аккуратно завинти его. **Важно! Не перетяни винты, чтобы не сорвать резьбу!**
4. Ослабь винты искателя и задвинь его в крепление. Осторожно затяни винты. Искатель надо устанавливать так, чтобы труба телескопа и труба искателя смотрели в одну сторону.

Как работать с телескопом

Перед началом наблюдения важно правильно установить окуляры и дополнительные детали.

Фокусер: прокрути ручку фокусировки от себя, пока трубка фокусера не зайдет внутрь до конца. Затем начинай медленно крутить ручки фокусировки на себя, пока изображение не станет четким. **Важно! Перед фокусировкой (настройкой четкости) убедись, что в фокусер вставлен окуляр. Без него ты не увидишь изображение.**

Окуляр 18 мм: в коробке с телескопом ты найдешь два окуляра. Чем меньше число на окуляре, тем выше увеличение. Начинать наблюдения всегда лучше с окуляра с небольшим увеличением и широким обзором. Оборачивающий окуляр 18 мм можно использовать для наблюдения Луны и планет, а еще с его помощью ты сможешь изучить множество далеких наземных предметов: труб, антенн или зданий! **Важно! Оборачивающий окуляр 18 мм нужно устанавливать сразу в фокусер, без диагонального зеркала.**

Диагональное зеркало: вытащи оборачивающий окуляр и вставь диагональное зеркало в трубку фокусера. 7

Окуляр Н12,5 мм: когда диагональное зеркало вставлено в фокусер, установи в него окуляр Н12,5 мм. Он дает большее увеличение и подходит для ночных наблюдений.

Как начать наблюдения

ВНИМАНИЕ! Никогда не смотри в телескоп на Солнце и небо рядом с ним! Так можно необратимо повредить зрение и даже ослепнуть!

Прежде чем начать изучение космоса, научись пользоваться телескопом днем. Используй оборачивающий окуляр 18 мм, чтобы рассмотреть различные наземные объекты: дома, деревья, антенны на крышах и многое другое! Так ты научишься управлять телескопом и фокусироваться на нужном объекте. Кроме того, это очень интересно! **Важно! Телескоп следует установить в месте, защищенном от ветра.**

Изучение Луны, планет и звезд лучше всего проводить вдали от светящихся окон, фонарей и фар машин. Старайся выбирать такие ночи, когда звезды светят ярко и ровно.

Наведи телескоп на выбранный объект, например Луну. Глядя в искатель, медленно перемещай трубу телескопа, пока объект не окажется в центре. Посмотри в окуляр телескопа — и ты увидишь увеличенное изображение объекта!

Пользуясь телескопом, будь аккуратным и терпеливым. Телескоп — очень чувствительный инструмент. Не двигай и не толкай его. После небольшой тренировки ты легко научишься передвигать трубу телескопа так, чтобы не потерять изображение из поля зрения окуляра.

EN

Levenhuk International Lifetime Warranty

All Levenhuk telescopes, microscopes, binoculars and other optical products, except for accessories, carry a **lifetime warranty** against defects in materials and workmanship. Lifetime warranty is a guarantee on the lifetime of the product on the market. All Levenhuk accessories are warranted to be free of defects in materials and workmanship for **six months** from date of retail purchase. Levenhuk will repair or replace such product or part thereof which, upon inspection by Levenhuk, is found to be defective in materials or workmanship. As a condition to the obligation of Levenhuk to repair or replace such product, the product must be returned to Levenhuk together with proof of purchase satisfactory to Levenhuk.

This warranty does not cover consumable parts, such as bulbs (electrical, LED, halogen, energy-saving and other types of lamps), batteries (rechargeable and non-rechargeable), electrical consumables etc.

For further details, please visit our web site: www.levenhuk.com/warranty

If warranty problems arise, or if you need assistance in using your product, contact the local Levenhuk branch.

BG

Международна доживотна гаранция от Levenhuk

Всички телескопи, микроскопи, бинокли и други оптични продукти от Levenhuk, с изключение на аксесоарите, имат **доживотна гаранция** за дефекти в материалите и изработката. Доживотната гаранция представлява гаранция, валидна за целия живот на продукта на пазара. За всички аксесоари Levenhuk се предоставя гаранция за липса на дефекти на материалите и изработката за период от **две години** от датата на покупка на дребно. Levenhuk ще ремонтира или замени всеки продукт или част от продукт, за които след проверка от страна на Levenhuk се установи наличие на дефект на материалите или изработката. Задължително условие за задължението на Levenhuk да ремонтира или замени такъв продукт е той да бъде върнат на Levenhuk заедно с документ за покупка, който е задоволителен за Levenhuk. Тази гаранция не покрива консумативи, като крушки (електрически, LED, халогени, енергоспестяващи или други типове лампи), батерии (акумулаторни и неакумулаторни), електрически консумативи и т.н.

За повече информация посетете нашата уебстраница: www.levenhuk.bg/garantsiya

Ако възникнат проблеми с гаранцията или ако се нуждаете от помощ за използването на Вашия продукт, свържете се с местния представител на Levenhuk.

CZ

Mezinárodní doživotní záruka Levenhuk

Na veškeré teleskopy, mikroskopy, triedy a další optické výrobky značky Levenhuk, s výjimkou příslušenství, se poskytuje **doživotní záruka** pokrývající vady materiálu a provedení. Doživotní záruka je záruka platná po celou dobu životnosti produktu na trhu. Na veškeré příslušenství značky Levenhuk se poskytuje záruka toho, že je dodáváno bez jakýchkoli vad materiálu a provedení, a to po dobu **dvou let** od data zakoupení v maloobchodní prodejně. Společnost Levenhuk provede opravu či výměnu výrobku nebo jeho části, u nichž se po provedení kontroly společností Levenhuk prokáže výskyt vad materiálu nebo provedení. Nezbytnou podmínkou toho, aby společnost Levenhuk splnila svůj závazek provést opravu nebo výměnu takového výrobku, je předání výrobku společně s dokladem o nákupu vystaveným ve formě uspokojivé pro Levenhuk.

Tato záruka se nevztahuje na spotřební materiál, jako jsou žárovky (klasické, LED, halogenové, úsporné a jiné typy žárovek), baterie (akumulátory i jednorázové baterie), elektromontážní spotřební materiál apod.

Další informace — navštivte naše webové stránky: www.levenhuk.cz/zaruka

V případě problémů s uplatněním záruky, nebo pokud budete potřebovat pomoc při používání svého výrobku, obraťte se na místní pobočku společnosti Levenhuk.

DE

Lebenslange internationale Garantie

Levenhuk garantiert für alle Teleskope, Mikroskope, Ferngläser und anderen optischen Erzeugnisse mit Ausnahme von Zubehör **lebenslanglich** die Freiheit von Material- und Herstellungsfehlern. Die lebenslange Garantie ist eine Garantie, die für die gesamte Lebensdauer des Produkts am Markt gilt. Für Levenhuk-Zubehör gewährleistet Levenhuk die Freiheit von Material- und Herstellungsfehlern innerhalb von **zwei Jahren** ab Kaufdatum. Produkte oder Teile davon, bei denen im Rahmen einer Prüfung durch Levenhuk ein Material- oder Herstellungsfehler festgestellt wird, werden von Levenhuk repariert oder ausgetauscht. Voraussetzung für die Verpflichtung von Levenhuk zu Reparatur oder Austausch eines Produkts ist, dass dieses zusammen mit einem für Levenhuk ausreichenden Kaufbeleg an Levenhuk zurückgesendet wird.

Diese Garantie erstreckt sich nicht auf Verbrauchsmaterialien wie Leuchtmittel (Glühlampen, LEDs, Halogen- und Energiesparlampen u. a.), Batterien (wiederaufladbare Akkus und nicht wiederaufladbare Batterien), elektrisches Verbrauchsmaterial usw.

Weitere Einzelheiten entnehmen Sie bitte unserer Website: www.levenhuk.de/garantie

Bei Problemen mit der Garantie, oder wenn Sie Unterstützung bei der Verwendung Ihres Produkts benötigen, wenden Sie sich an die lokale Levenhuk-Niederlassung.

ES

Garantía internacional de por vida Levenhuk

Todos los telescopios, microscopios, prismáticos y otros productos ópticos de Levenhuk, excepto los accesorios, cuentan con una **garantía de por vida** contra defectos de material y de mano de obra. La garantía de por vida es una garantía a lo largo de la vida del producto en el mercado. Todos los accesorios Levenhuk están garantizados contra defectos de material y de mano de obra durante **dos años** a partir de la fecha de compra en el minorista. Levenhuk reparará o reemplazará cualquier producto o pieza que, una vez inspeccionada por Levenhuk, se determine que tiene defectos de materiales o de mano de obra. Para que Levenhuk pueda reparar o reemplazar estos productos, deben devolverse a Levenhuk junto con una prueba de compra que Levenhuk considere satisfactoria.

Esta garantía no cubre productos consumibles como bombillas (eléctricas, LED, halógenas, de bajo consumo y otros tipos de lámparas), pilas (recargables y no recargables), consumibles eléctricos, etc.

Para más detalles visite nuestra página web: www.levenhuk.es/garantia

En caso de problemas con la garantía o si necesita ayuda en el uso de su producto, contacte con su oficina de Levenhuk más cercana.

(HU)

A Levenhuk nemzetközi, élettartamra szóló szavatossága

A Levenhuk vállalat a kiegészítők kivételével az összes Levenhuk gyártmányú teleszkóphoz, mikroszkóphoz, kétszemes távcsőhöz és egyéb optikai termékhez élettartamra szóló szavatosságot nyújt az anyaghibák és/vagy a gyártási hibák vonatkozásában. Az **élettartamra szóló** szavatosság a termék piaci forgalmazási időszakának a végéig érvényes. A Levenhuk-kiegészítőkhöz a Levenhuk-vállalat a kiskereskedelmi vásárlás napjától számított **két évig** érvényes szavatosságot nyújt az anyaghibák és/vagy a gyártási hibák vonatkozásában. A Levenhuk vállalat vállalja, hogy a Levenhuk vállalat általi megvizsgálás során anyaghibásnak és/vagy gyártási hibásnak talált terméket vagy termékalkatrészt megjavítja vagy kicseréli. A Levenhuk vállalat csak abban az esetben köteles megjavítani vagy kicserélni az ilyen terméket vagy termékalkatrészt, ha azt a Levenhuk vállalat számára elfogadható vásárlási bizonylattal együtt visszaküldik a Levenhuk vállalat felé. Ez a szavatosság nem vonatkozik a fogyóeszközökre, például az izzólámpákra (függetlenül attól, hogy azok hagyományos elektromos izzók, LED-es izzók, halogén izzók, energiatakarékos izzók vagy más típusú izzók-e), az elemekre (beleértve a nem tölthető elemeket és a tölthető akkumulátorokat is), az elektromos fogyóeszközökre stb.

További részletekért látogasson el weboldalunkra: www.levenhuk.hu/garancia

Amennyiben garanciális probléma lépne fel vagy további segítségre van szüksége a termék használatát illetően, akkor vegye fel a kapcsolatot a helyi Levenhuk üzlettel.

(IT)

Garanzia internazionale Levenhuk

Tutti i telescopi, i microscopi e binocoli e gli altri prodotti ottici Levenhuk, ad eccezione degli accessori, godono di una **garanzia a vita** per i difetti di fabbricazione o dei materiali. Garanzia a vita rappresenta una garanzia per la vita del prodotto sul mercato. Tutti gli accessori Levenhuk godono di una garanzia di **due anni** a partire dalla data di acquisto per i difetti di fabbricazione e dei materiali. Levenhuk riparerà o sostituirà i prodotti o relative parti che, in seguito a ispezione effettuata da Levenhuk, risultino presentare difetti di fabbricazione o dei materiali. Condizione per l'obbligo di riparazione o sostituzione da parte di Levenhuk di tali prodotti è che il prodotto venga restituito a Levenhuk unitamente ad una prova d'acquisto la cui validità sia riconosciuta da Levenhuk.

Questa garanzia non copre le parti consumabili, come le lampadine (elettriche, LED, alogene, a risparmio energetico o altri tipi di lampadine), batterie (ricaricabili e non ricaricabili), parti elettriche consumabili, ecc.

Per maggiori dettagli, visitare il nostro sito web: www.levenhuk.eu/warranty

Per qualsiasi problema di garanzia o necessità di assistenza per l'utilizzo del prodotto, contattare la filiale Levenhuk di zona.

(PL)

Gwarancja międzynarodowa Levenhuk

Wszystkie teleskopy, mikroskopy, lornetki i inne przyrządy optyczne Levenhuk, za wyjątkiem akcesoriów, posiadają **dożywotnią gwarancję** przeciwko wadom materiałowym i wykonawczym. Dożywotnia gwarancja to gwarancja na cały okres użytkowania produktu. Wszystkie akcesoria Levenhuk są wolne od wad materiałowych i wykonawczych i pozostaną takie przez **dwa lata** od daty zakupu detalicznego. Firma Levenhuk naprawi lub wymieni produkty lub ich części, w przypadku których kontrola prowadzona przez Levenhuk wykaże obecność wad materiałowych lub wykonawczych. Warunkiem wywiązania się przez firmę Levenhuk z obowiązku naprawy lub wymiany produktu jest dostarczenie danego produktu firmie razem z dowodem zakupu uznawanym przez Levenhuk.

Niniejsza gwarancja nie obejmuje części eksploatacyjnych, takich jak żarówki (elektryczne, LED, halogenowe, energooszczędne i inne), baterie (akumulatory i zwykłe), akcesoria elektryczne itd.

Więcej informacji na ten temat znajduje się na stronie: www.levenhuk.pl/gwarancja

W przypadku wątpliwości związanych z gwarancją lub korzystaniem z produktu, proszę skontaktować się z lokalnym przedstawicielem Levenhuk.

(PT)

Garantia vitalícia internacional Levenhuk

Todos os telescópios, microscópios, binóculos ou outros produtos ópticos Levenhuk, exceto seus acessórios, são acompanhados de garantia vitalícia contra defeitos dos materiais e acabamento. A garantia vitalícia é uma garantia para a vida útil do produto no mercado. Todos os acessórios Levenhuk têm garantia de materiais e acabamento livre de defeitos por dois anos a partir da data de compra. A Levenhuk irá reparar ou substituir o produto ou sua parte que, com base em inspeção feita pela Levenhuk, seja considerado defeituoso em relação aos materiais e acabamento. A condição para que a Levenhuk repare ou substitua tal produto é que ele seja enviado à Levenhuk juntamente com a nota fiscal de compra. Esta garantia não cobre partes consumíveis, tais como lâmpadas (elétricas, de LED, de halogênio, econômicas e outros tipos de lâmpadas), baterias (recarregáveis e não recarregáveis), consumíveis elétricos etc.

Para detalhes adicionais, visite nossa página na internet: www.levenhuk.eu/warranty

Se surgirem problemas relacionados à garantia ou se for necessária assistência no uso do produto, contate a filial local da Levenhuk.

(RU)

Международная пожизненная гарантия Levenhuk

Компания Levenhuk гарантирует отсутствие дефектов в материалах конструкции и дефектов изготовления изделия.

Продавец гарантирует соответствие качества приобретенного вами изделия компании Levenhuk требованиям технической документации при соблюдении потребителем условий и правил транспортировки, хранения и эксплуатации изделия.

Срок гарантии: на аксессуары – **6 (шесть) месяцев** со дня покупки, на остальные изделия – **пожизненная гарантия** (действует в течение всего срока эксплуатации прибора).

Гарантия не распространяется на комплектующие с ограниченным сроком использования, в том числе лампы (накаливания, светодиодные, галогенные, энергосберегающие и прочие типы ламп), электрокомплектующие, расходные материалы, элементы питания и прочее.

Подробнее об условиях гарантийного обслуживания см. на сайте www.levenhuk.ru/support

По вопросам гарантийного обслуживания вы можете обратиться в ближайшее представительство компании Levenhuk.

Levenhuk prepared slides sets

The Levenhuk slides sets include thoroughly prepared specimens of various biomaterials as well as blank slides and cover glasses for you to make your own specimens. Prepared slides, blank slides and cover slips can be used with any microscope model.



Levenhuk Worldwide:

USA: www.levenhuk.com
Azerbaijan: www.levenhuk.az
Bulgaria: www.levenhuk.bg
Canada: www.levenhuk.ca
Czech Rep.: www.levenhuk.cz
Estonia: www.levenhuk.ee
Finland: fi.levenhuk.com
Germany: www.levenhuk.de

Hungary: www.levenhuk
Iceland: www.levenhuk.is
India: www.levenhuk.in
Italy: www.levenhuk.it
Latvia: www.levenhuk.lv
Lithuania: www.levenhuk.lt
Netherlands: www.levenhuk.nl
Poland: www.levenhuk.pl

Romania: www.levenhuk.ro
Russia: www.levenhuk.ru
Slovakia: www.levenhuk.sk
Spain: www.levenhuk.es
Turkey: www.levenhuk.tr
Ukraine: www.levenhuk.ua
United Kingdom: www.levenhuk.uk
EU: www.levenhuk.eu

levenhuk
Zoom&Joy

Levenhuk USA: 928 E 124th Ave. Ste D, Tampa, FL33612, USA, +1 813 468-3001, contact_us@levenhuk.com
Levenhuk Europe: V Chotejně 700/7, 102 00 Prague 102, Czech Republic, +420 737-004-919, sales-info@levenhuk.cz
Levenhuk®, LabZZ® are registered trademarks of Levenhuk, Inc.
© 2006—2021 Levenhuk, Inc. All rights reserved.
20210112