



User manual  
Gebrauchsanweisung  
Gebruikshandleiding  
Руководство пользователя

# BOUNZY

## Батут Домашний







**ВНИМАНИЕ!**  
**ОПАСНОСТЬ УДУШЕНИЯ**  
**мелкие детали**

Сборку должны осуществлять взрослые  
сохраняйте руководство для последующего использования





**BOUNZY**  
Батут Домашний

English		4
Deutsch		22
Nederlands		40
Русский		58

## 1.0 Introduction

Congratulations on choosing an EXIT Bounzy Trampoline!

**Have fun, be active and play outdoors.....**

That's what keeps driving us to develop innovative, quality toys for cool kids.

We do everything possible to develop safe products for children. As our products are classed as toys, we comply with the toughest consumer safety regulations. Before launching our products onto the market, we have independent tests carried out for certification. We also continuously test our production runs and periodically have independent tests performed again as a further check. Only products which live up to the highest EXIT Toys standard are marked with and recognized by the EXIT-brand.

"We want to thank you for your custom and your confidence in this product. We're sure your kids will have as much fun as we did during development. Being open-minded, we really appreciate all comments and ideas which will help us improve our products or develop new ones. You are invited to send your ideas to us at [info@exit-toys.com](mailto:info@exit-toys.com)"

Please visit [www.exittoys.com](http://www.exittoys.com) and discover more cool new products.

The EXIT Toys team

## 2.0 Guidelines for safe use

Using your product as instructed in this manual will eliminate virtually all hazards. However, please bear in mind that children have a natural urge to play and that this may lead to unforeseen dangerous situations for which the manufacturer cannot be held responsible. Teach your children how to use the product and point out possible dangers to them.

**Before assembling and using the product, please read and observe these main warnings:**



### WARNING

To avoid serious injury:



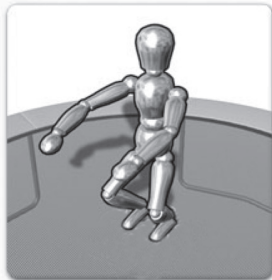
- Read and understand the manual before use.
- WARNING: Only for domestic use
- WARNING: CHOKING HAZARD! - Small parts.  
Not for Children under 3 years old.
- Protect children
  - Prevent falls and strangulation - Exit through the door only, and use caution.
  - Assist young children in and out of Safety net.
- WARNING: Only one user at a time; danger of collision!
- WARNING: Do not perform summersaults or other difficult jumps!
- WARNING: Empty your pockets before use of the trampoline!
- Continuous adult supervision is required.
- Don't use the trampoline when it's wet.
- The trampoline is to be assembled by an adult prior to use.
- In case of missing or broken parts, please contact place of purchase for assistance.
- We are not liable for any injuries that may occur when using the trampoline.
  
- Max. User weight: 30kg. / 55lbs.
- Age: 3 - 7 years.

## 2.1 Warnings for safe use:

- BEFORE YOU BEGIN USING YOUR TRAMPOLINE: Read and understand the information provided in this manual. As with all physical sports and activities there is the risk of participants receiving an injury. To ensure your future enjoyment and the prevention of injury, be sure to follow appropriate safety rules and tips.
- The maintenance handbook must be retained.
- Always close the enclosure opening before use.
- ALWAYS CONSULT A DOCTOR/PHYSICIAN BEFORE PERFORMING ANY KIND OF PHYSICAL ACTIVITY.
- ALWAYS CHECK YOUR TRAMPOLINE BEFORE USE, PAYING SPECIFIC ATTENTION TO ALL THE BOLTS, JUMP MAT AND PADS POSITION. DON'T USE IF ANY PARTS ARE MISSING OR LOOK LIKE THEY SHOW WEAR AND TEAR.
- ALWAYS ENSURE THAT THE TRAMPOLINE IS USED BY ONLY ONE PERSON AT A TIME.
- ALWAYS ENSURE THAT WHENEVER THE TRAMPOLINE IS USED BY ANYONE AT ANY SKILL LEVEL THAT DO SO UNDER SUPERVISION.
- Stop exercising immediately should you feel unwell or if you feel pain in your joints and muscles. Dizziness is a sign of fatigue and you should stop bouncing and lay down on the ground should you feel dizzy.
- When using this trampoline ensure appropriate clothing is worn, preferably sports wear and socks. NEVER WEAR SHOES ON THE MAT.
- Please be warned that trampoline is spring based and will allow the user to jump to a greater height than that on the ground, so please bear this in mind and ensure that you are comfortable bouncing at low heights first.
- Proper assembly, care and maintenance of product, safety tips, warnings, and proper techniques for jumping on your trampoline are included in this manual for your safety and an extended product life span. All users and supervisors should therefore familiarize themselves with these instructions. Anybody who chooses to use the trampoline must be aware of their own limitations with regards to performing skills on this trampoline.
- This product is intended for home use only.
- Moving the Trampoline. If the trampoline and enclosure needs to be moved, it should be moved by two persons, kept horizontal, and lifted slightly. If necessary, the trampoline and enclosure can be taken apart for moving. To take the trampoline apart, follow the assembly steps in reverse order.

## 2.2 Use of the trampoline

INITIALLY, you should get accustomed to your trampoline and understand how much spring is in each bounce .The focus at this point should be body position and technique until each skill can be completed with ease and control.



- BEFORE YOU TRY TO JUMP TOO HIGH the technique for stopping should be learnt as this will help prevent injury should you feel you are jumping out of control.
- As the user lands on the bed, the knees should be bent so that they stop and absorb the spring in the mat. The position is shown in the image to the left. Arms are held out for increased level of balance.
- This skill is used when the trampoline user wishes to stop bouncing on the trampoline due to fatigue, loss of control, etc.



**SOMERSAULTS (FLIPS): DO NOT PERFORM** somersaults of any type (backwards or forwards) on this trampoline. If you make a mistake when trying to perform a somersault, you could land on your head or neck. This will increase your chances of your neck or back being broken, which could result in death or paralysis



**FOREIGN OBJECTS : DO NOT** use the trampoline if there are pets, other people, or any objects underneath the trampoline. This will increase the chances of an injury occurring, DO NOT hold any foreign objects in your hand and DO NOT place any objects on the trampoline while in use. DO NOT place the trampoline under over-hanging objects like tree branches, wires, etc as these will increase your chances of being injured.

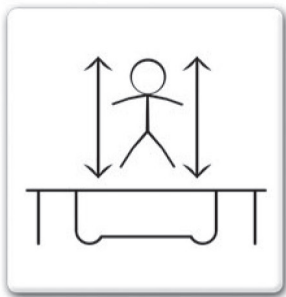


**POOR MAINTENANCE OF TRAMPOLINE:** A trampoline in poor condition will increase your risk of being injured. Please inspect the trampoline before each use for bent steel tubes, torn mat, loose or broken springs and overall stability of the trampoline.



**RESTRICTING ACCESS:** When the trampoline is not in use, always close the enclosure opening so that unsupervised children can not play on the trampoline.

## 2.3 Tips to reduce the risk of accidents



In order to reduce the risk of accident the "TRAMPOLINE USER" should:

- Always remain in control of their jumps and body position at all times.
- Not attempt to perform skills that are beyond their own level of competence.
- Read and understand the jump by taking off and landing in the middle of the trampoline.
- Always control their jump by taking off and landing in the middle of the trampoline.
- Always jump vertically and refrain from bouncing towards the springs in any direction.
- Always consult a professionally certified trampoline instructor before attempting anything beyond basic techniques.

In order to reduce the risk of accident the "SUPERVISOR" should:

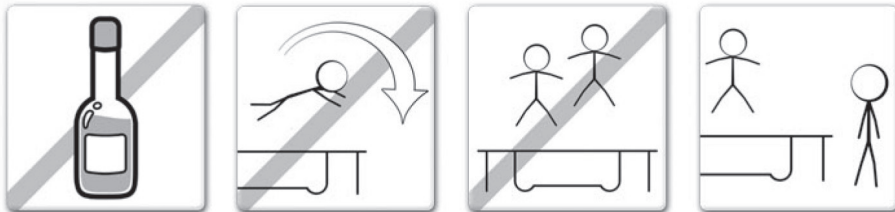
- Fully understand and enforce all the safety rules and guidelines.
- Advise the trampoline user and provide knowledge in what they are doing right and wrong to ensure the safety of trampoline user.
- Be aware and advise the trampoline user of all the safety warnings.

**IMPORTANT: If the Trampoline can not be supervised there should be a method for securing it and preventing anyone from using the product until supervision is available.**



## 2.4 Trampoline Safety Instructions

### ADVISORY PRECAUTIONS WHILST USING THE TRAMPOLINE



- Do not use trampoline if you have consumed alcohol or narcotic substances
- You should climb on and off the trampoline in a controlled and careful manner. Never jump onto or off the trampoline and never use the trampoline as a means to bounce onto or into another object.
- Always learn the basic bounce and master each type of bounce before trying more difficult types of bounces. Review the basic skills section to learn how to do the basics.
- To stop your bounce, flex your knees when you land on your feet.
- Always be in control when you are bouncing on the trampoline. A controlled jump is when you land at the same spot that you took off from. If at any time you feel out of control, stop bouncing immediately.
- Do not jump or bounce for prolonged periods of time or too high for a number of jumps. Keep your eyes on the mat to maintain control. If you do not, you could lose your balance.
- Never have more than 1 person on the trampoline at any one time.

### ADVISORY PRECAUTIONS WHILST SUPERVISING TRAMPOLINE

**IMPORTANT:** Familiarise yourself with the basic jumps and safety rules. To prevent and reduce the risk of injuries, ensure that all safety rules are enforced and the new users learn the basic bounces before trying more advanced techniques.

- ALL USERS need to be supervised, regardless of skill level or age.
- Never use the trampoline when it is wet, damaged, dirty or worn out. The trampoline should be inspected before use.
- Keep all objects that could interfere during use away from the trampoline at all times. Be aware of what is overhead, underneath and around the trampoline.
- To prevent unsupervised and unauthorized use, the trampoline should be secured at all time.

## 2.5 Accident classification & identification



### **MOUNTING AND DISMOUNTING:**

Be very careful when getting on and off the trampoline. DO NOT mount the trampoline by grabbing the frame pad, stepping onto the springs or by jumping onto the mat of the trampoline from an object (eg. A deck, roof, or ladder). This is considered highly dangerous. DO NOT dismount by jumping off the trampoline and landing on the ground. If small children are playing on the trampoline, they may need help in mounting and dismounting.



### **USE OF ALCOHOL OR DRUGS:**

DO NOT consume any alcohol or take any drugs (this includes medication that could affect the users co-ordination) when using this trampoline. This is considered highly dangerous since these foreign substances impair your judgements, reaction time and overall physical co-ordination.



### **MULTIPLE USERS:**

Only one user at a time; danger of collision!

### **STRIKING THE FRAME:**

When playing on the trampoline, STAY in the centre of the trampoline mat. This will reduce the risk of being injured by landing on the frame. Always keep the frame pads covering the frame of the trampoline. DO NOT jump or step onto the frame pad directly since it is not intended to support the weight of a person.



### **LOSS OF CONTROL:**

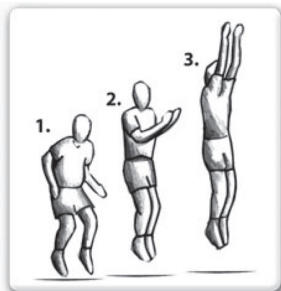
DO NOT try difficult maneuvers until you have mastered the basics. If you do not follow these guidelines, you increase the risk of someone being injured.

**WARNING: Take a break every 10 minutes.**

## 3.0 Trampoline techniques

### Basic Skills

#### BASIC SKILL 1: The basic bounce



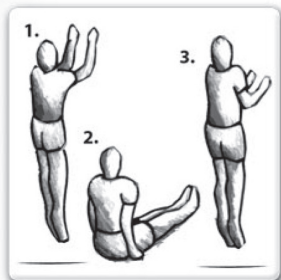
- Start from a standing position, with feet shoulder width apart head up and eyes on the trampoline bed.
- Swing arms forward and up above head in a circular motion.
- Bring legs and feet together in mid-air position and point toes.
- Land back on the mat with feet shoulder width apart (same as start position).
- Why not try moving onto the next skill once comfortable and proficient.

#### BASIC SKILL 2: The Knee Drop

- Start with a low basic bounce (as detailed in BASIC SKILL 1).
- Land on knees shoulder width apart, keeping back straight and a strong body position using arms out to the side or in front to maintain balance.
- Bounce back to basic bounce position by using bounce momentum and swinging arms above head.
- Once mastered at this height try bouncing a little higher, but remember to always stay in control of your height.



#### BASIC SKILL 3: The Seat Drop



- Start with a low basic bounce (BASIC SKILL 1) in the normal position.
- Land with legs out straight in front of you, with hands either side of your hips and back straight in a strong body position.
- Use the bounce momentum aided with a push from hands to return to a standing position.
- Once mastered at this height try bouncing a little higher, but remember to always stay in control of your height.

**IMPORTANT:** Please consult a trained trampoline instructor before attempting any more advanced skills to ensure highest possible safety levels are

## 4.0 General Information

- Self-securing nuts and screws are suitable only for one time setting-up, and must be replaced after breakdown of the trampoline and/or safety net.
- It is recommended to place the trampolines on a flat and level surface with at least 2 m distance to other superstructures, or barriers, e.g. fence, garage, house, tree branches, washing lines, or electrical cables.
- Exchange defective parts according to the supplier's recommendation.
- Changes to the trampoline (e.g. addition of an accessory) must be done according to the supplier's instruction.

## 5.0 Trampoline Assembly

### STEP BY STEP CONSTRUCTION

#### **Only assemble by adult.**

To assemble this trampoline all you need is our special spring loading tool provided with this product. During periods of non-use, this trampoline can be easily disassembled and stored. Please read the assembly instructions before beginning to assemble the product.

Please refer to the table for part descriptions and numbers. The assembly instruction use these descriptions and numbers as reference .

Make sure you have all parts listed. If you are missing any parts, please contact place of purchase.

**Please use gloves to protect your hands from pinch points during assembly. When you are ready to start, make sure that you have plenty of space and a clean dry area for assembly.**

## 6.0 CARE AND MAINTENANCE

This trampoline was designed and manufactured with quality materials and craftsmanship. If proper care and maintenance is provided, it will provide all jumpers with years of exercise, fun, and enjoyment as well as reduce the risk of injury. Please follow the guidelines listed below:

This trampoline is designed to withhold a certain amount of weight and use. Please make sure that only one person at any one time uses the trampoline. Jumpers should either wear socks, gymnastics shoes, or be barefoot when using the trampoline. Please be aware that street shoes or tennis shoes should NOT be worn while using the trampoline. In order to prevent the trampoline mat from getting cut or damaged please do not allow any pets onto the mat. Also, jumpers should remove all sharp objects from their person prior to using the trampoline. Any type of sharp or pointed objects should be kept off the trampoline mat at all times.

### Maintenance instructions

It is particularly important to follow the following maintenance instructions at the beginning of each season and periodically during the use season:

- It is necessary to determine whether all nuts and bolts are tight, and if necessary they are tightened;
- It shall be verified that all spring-loaded connections (locking pin) are undamaged and not move while playing;
- Any cover screws and sharp edges must be checked and replaced if necessary;
- The maintenance manual shall be kept

Always inspect the trampoline before each use for worn, abused or missing parts. A number of conditions could arise that may increase your chances of getting injured. Please be aware of:

- Punctures, holes, or tears in the trampoline mat
- Sagging trampoline mat
- Loose stitching or any kind of deterioration of the mat
- Bent or broken frame parts, such as the legs
- Broken, missing, or damaged springs
- Damaged, missing, or insecurely attached frame pad
- Protrusions of any types (especially sharp types) on the frame, springs, or mat

**IF YOU FIND ANY OF THE PREVIOUS CONDITIONS, OR ANYTHING ELSE THAT YOU FEEL COULD CAUSE HARM TO ANY USER, THE TRAMPOLINE SHOULD BE DISASSEMBLED OR SECURED FROM USE UNTIL THE CONDITION(S) HAS BEEN RESOLVED.**

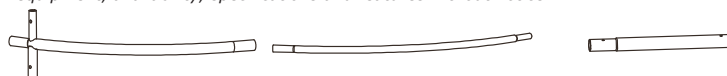
### MOVING THE TRAMPOLINE

If you need to move the trampoline, two people should be used. All connector points should be wrapped secured with weather resistant tape, such as duct tape. This will keep the frame intact during the move and prevent the connector points from dislocating and separating. When moving, lift the trampoline slightly of the ground and keep it horizontal to the ground. For any type of other move, you should disassemble the trampoline.

## Parts list Trampoline

Part.Nr.	Description	#
1	Frame	6
2	Rail	6
3	Leg	6
4	Mat with net	1
5	Pad	1
6	Elastic with ball	32
7	Straight tube	6
8	Plastic beam	6
9	Foam 1 (490mm)	6
10	Foam 2 (510mm)	6
11	Foam 3 (570mm)	6
12	Self-tapping screw	20
13	Pole cap	6

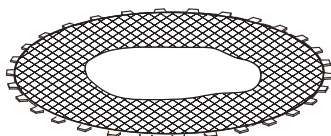
Enclosed are the current specifications and product features available at time of printing, however, changes may be made in equipment, availability, specifications and features without notice.



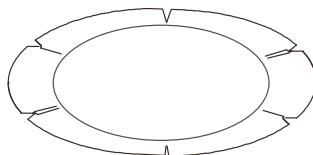
(1)

(2)

(3)



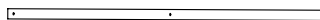
(4)



(5)



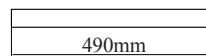
(6)



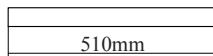
(7)



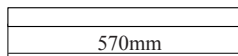
(8)



(9)



(10)



(11)



(12)



(13)



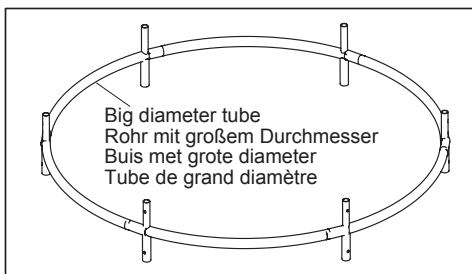
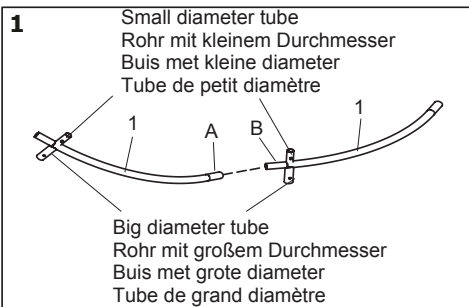
Tools

### STEP 1

Lay two frames (1) on the ground in the positions as shown.  
Insert one end A of frame (1) into the end B of the other frame (1).

Repeat this step until the six frame sections are connected as shown.

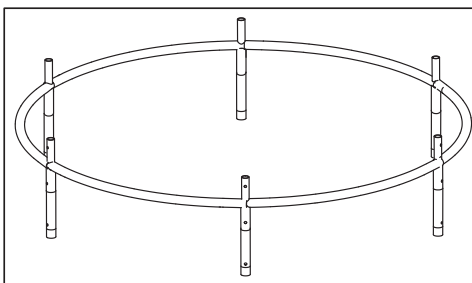
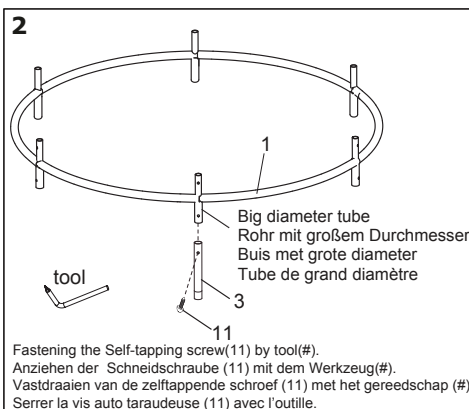
**Note: Make sure the frame is turned so the big-diameter tube is facing the ground.**



### STEP 2

Insert leg (3) into big diameter tube of frame (1), then tighten with one self-tapping screw (11) by tool.

Repeat this step to assemble the remaining legs (3) to the frame (1) in same manner.



### STEP 3

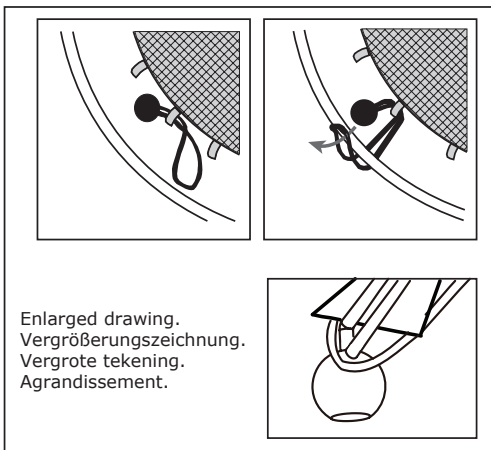
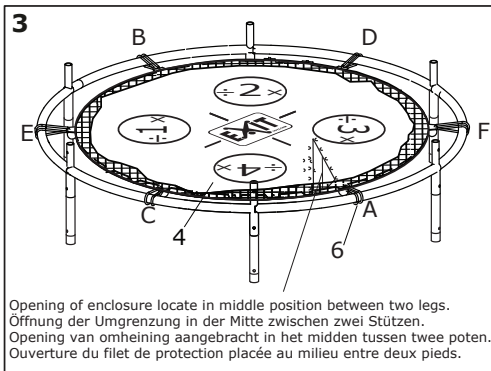
First, align the opening of the enclosure as shown to locate the middle position between the two legs.

Then attach the mat via the net (4) to the frame using one elastic with ball (6) as shown in the enlarged drawing in the order of A-B-C-D-E-F. Each elastic with ball (6) is also located in the middle position between two legs.

Attach all the remaining elastic with balls (6) in the same manner to relative frame position.

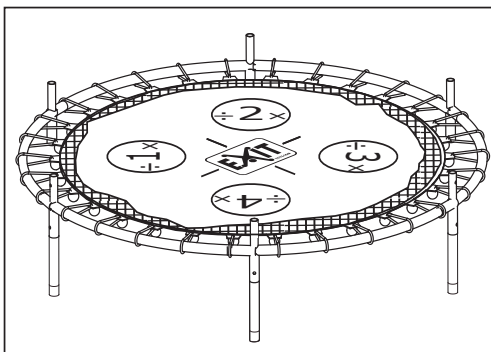
**Note:**

If the mat is not in the middle of the frame, take the time to adjust it by pulling the elastic with ball (6).



**Note:**

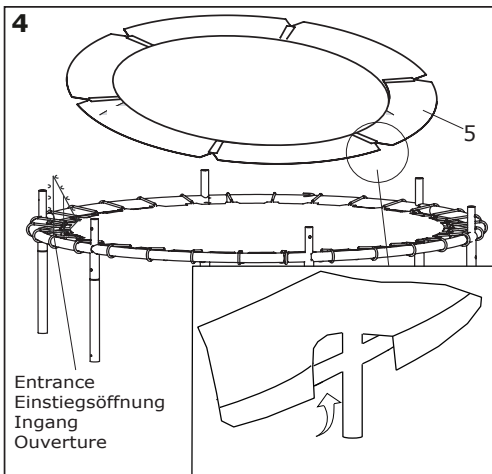
All the elastics with balls (6) should be located on the under side as shown.





### STEP 4

Lay the pad (5) on the frame. Adjust the position of the pad so that the slits are directly above the legs as shown.



### STEP 5

Lay one straight tube (7) on the ground.

#### 5.1

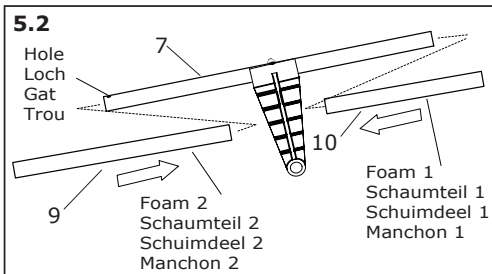
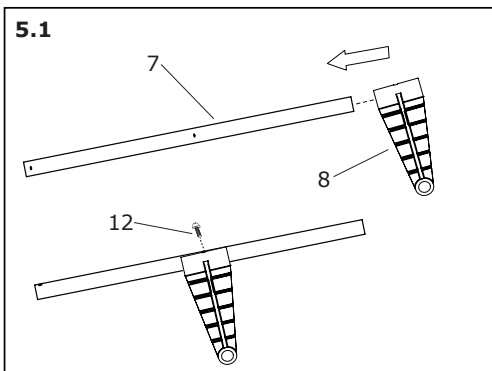
Sleeve a plastic beam (8) on the straight tube (7). Tighten with one self-tapping screw (12) using a tool.

#### 5.2

Pull a Foam 1 490mm (9) over the straight tube (7) from the side with a hole on the tube.

Pull one Foam 2 510mm (10) over the straight tube (7).

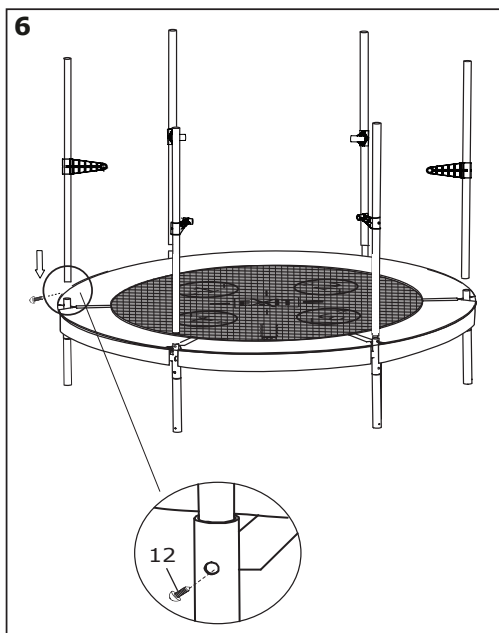
Repeat this step to assemble the remaining foams and plastic beams.



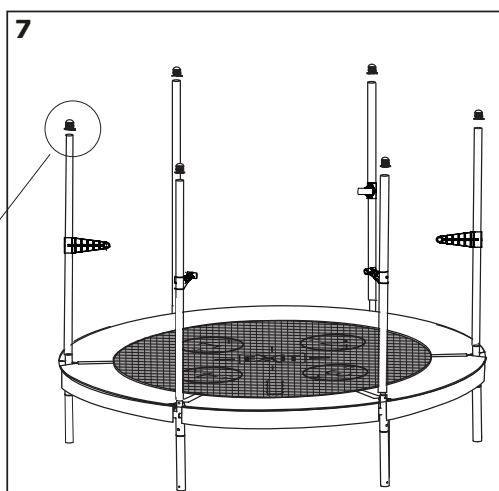
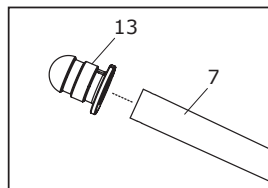
**STEP 6**

Insert the straight tube (7) into the frame (1). Make sure the holes on the straight tube (7) and on the frame (1) are aligned. Then tighten with one self-tapping screw (12) using a tool.

Repeat this step to assemble the remaining straight tubes.

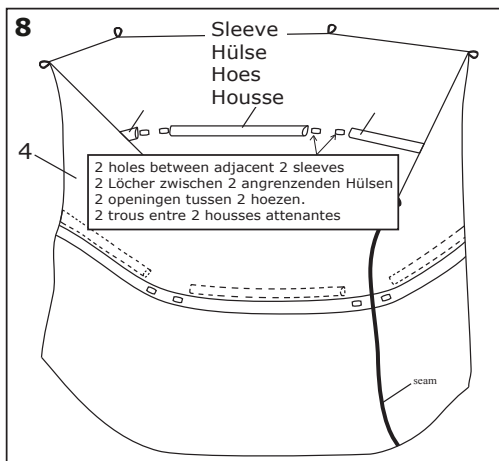
**STEP 7**

Put the pole cap (13) on the top of the straight tube (7).



### STEP 8

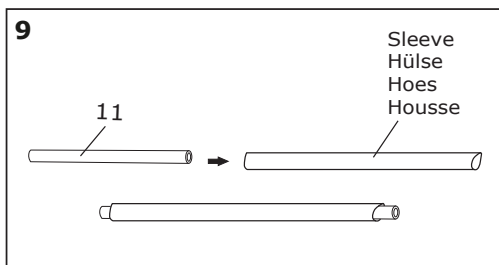
Unfold the net (4) and fold out the sleeve sewn inside of the net; there you will find all six sleeves. Please note there are two holes between the adjacent two sleeves.



### STEP 9

Slide Foam 3 570mm (11) into the sleeve inside the net.

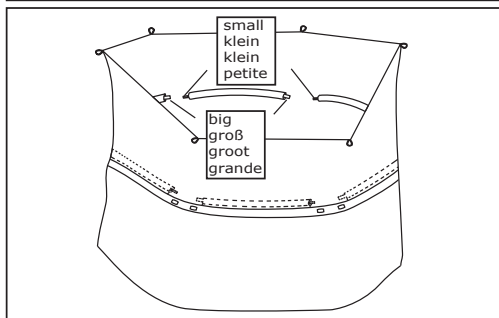
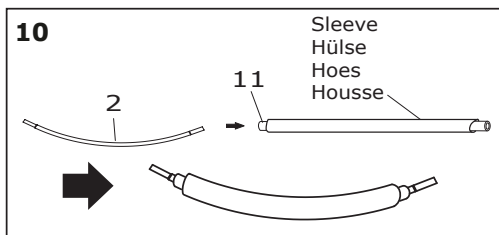
Repeat this step until all six foams slide into the sleeves.



### STEP 10

Insert the rail (2) into Foam 3 570mm (11) included in the sleeve as shown.

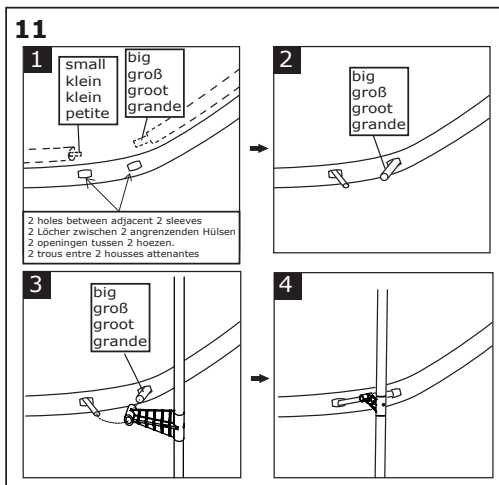
Repeat this step until all six rails are inserted into the sleeve.



### STEP 11

Run the big head and small head of adjacent rails (2) out of the net holes as shown. Then insert the big head into the plastic beam (8), then insert the small head into big head as shown.

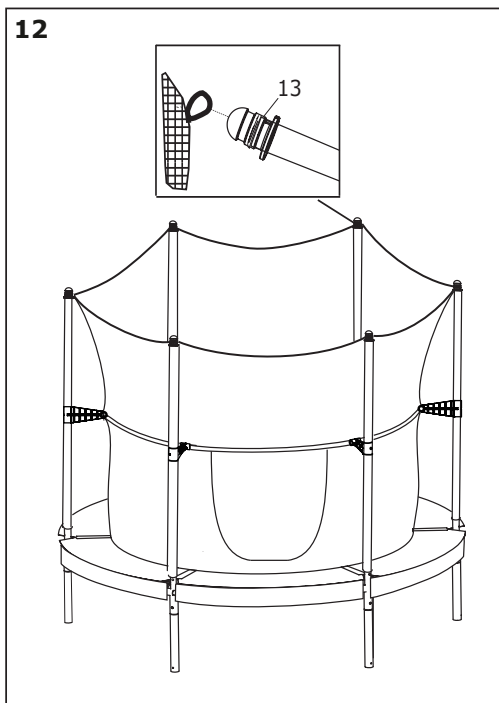
Repeat this step to assemble the rest rails.



### STEP 12

Insert the pole cap (13) through one strap ring on the top of the net as shown.

Make sure that all parts are securely attached. Familiarize yourself and all users with the trampoline and enclosure, with the safety precautions, use and instructional materials, and the care and maintenance instructions in this manual before using the trampoline and enclosure.



**Congratulations! Your trampoline is now fully assembled.**

## 7.0 Warranty

1. After the date of the purchase invoice, the owner of the EXIT Bounzy trampoline has a:
  - 1-year warranty on the breaking of the frame and on the jump mat.
  - 6-month warranty on the protective surround pad.
  - 6-month warranty on the tearing of the net.
2. The warranty applies only to the material and construction defects with respect to this product or its components.
3. The warranty becomes defunct if:
  - This product is used incorrectly and/or carelessly and is used in such a way that it does not comply with its purpose.
  - This product is not assembled and maintained according to the instruction booklet.
  - Technical repairs to this product are not carried out professionally.
  - Parts, which are mounted afterwards, do not comply with the technical specifications of the product concerned or are mounted incorrectly.
  - Defects are a result of climatic influences such as corrosion, UV rays or normal disintegration.
  - The product is rented out or was made available to various unspecified persons in any other manner.
4. EXIT Toys will repair or replace according to its choice all material and construction defects that have been ascertained by EXIT Toys during the warranty period.
5. The owner of the EXIT Toys Trampoline is only entitled to the warranty by presenting the product for inspection at a EXIT Toys dealer. It should be handed to the EXIT Toys dealer, accompanied by the original purchase invoice.
6. In case of material and construction defects that have been ascertained by EXIT Toys, the product or its components will be repaired or replaced – according to its choice – free of charge during the warranty period mentioned in Article 1.
7. If the claim for warranty is not justifiable, all the costs are at the expense of the owner.
8. This warranty cannot be transferred to third parties.
9. The trampoline is designed for personal use. It is not permitted to rent out or place the trampoline in public areas like schools or day-care centres. The guarantee and any other liabilities shall expire if the playhouse is rented out or used in public areas.

## 1.0 Einführung

Glückwunsch zur Wahl des EXIT Bounzy!

### **Amüsier dich, sei aktiv und spiele im Freien!**

Für diesen Spaß entwickeln wir innovative und hochwertige Spielzeuge für coole Kids.

Wir tun alles in unserer Macht stehende, um sichere Produkte für Kinder zu entwickeln. Da unsere Produkte als Spielzeuge klassifiziert werden, erfüllen wir die strengsten Sicherheitsvorschriften. Bevor unsere Produkte auf dem Markt kommen, veranlassen wir die Durchführung von unabhängigen Prüfungen zur Zertifizierung. Außerdem kontrollieren wir selbst ständig unsere Produktionsabläufe und lassen diese als weitere Kontrolle regelmäßig durch unabhängige Stellen überprüfen. Nur Produkte, die den höchsten EXIT Toys Standards gerecht werden, werden mit dem EXIT Toys label gekennzeichnet.

Wir danken Ihnen für Ihr Vertrauen in dieses Produkt. Und wir sind sicher, dass Ihre Kinder genau viel Spaß haben werden wie wir ihn während der Entwicklung hatten. Da wir aufgeschlossen sind, schätzen wir wirklich all Ihre Kommentare und Ideen, die uns bei der Verbesserung unserer Produkte bzw. bei der Entwicklung neuer Spielzeuge helfen. Sie sind herzlich eingeladen, uns Ihre Ideen unter [info@exittoys.com](mailto:info@exittoys.com) zu senden.

Besuchen Sie [www.exittoys.com](http://www.exittoys.com) und entdecken Sie weitere tolle neue Produkte.

Das EXIT Toys Team

## 2.0 Richtlinien für einen sicheren Gebrauch

Wenn das Trampolin entsprechend dieser Anleitung verwendet wird, sind praktisch alle Gefahren ausgeschlossen. Bedenken Sie allerdings, dass Kinder einen natürlichen Spielrang haben und dass dies zu unvorhergesehenen gefährlichen Situationen führen kann, für die der Hersteller nicht haftbar gemacht werden kann. Weisen Sie Ihre Kinder in die sichere Verwendung des Produkts ein und auf mögliche Gefahren hin.

**Lesen Sie vor dem Zusammenbau und der Verwendung des Produkts die folgenden wichtigen Warnhinweise durch und befolgen Sie diese:**



### **WARNUNG** Zur Vermeidung von schweren Verletzungen:



- Vor Gebrauch müssen Sie die Bedienungsanleitung gelesen und verstanden haben.
- Achtung! Dieses Produkt ist nur für den häuslichen Gebrauch bestimmt.
- Achtung! ERSTICKUNGSGEFAHR! - Kleinteile. Nicht für Kinder unter 3 Jahren geeignet.
- Kinder schützen
  - Verhindern Sie Stürze und Strangulation - Verlassen Sie das Sicherheitsnetz nur durch die Tür; seien Sie dabei vorsichtig.
  - Helfen Sie kleineren Kindern in das Safety Net hinein- und hinauszukommen.
- Achtung! Es darf nie mehr als 1 Person gleichzeitig auf dem Trampolin sein.
- Achtung! Keine Saltos oder andere schwierige Sprünge durchführen!
- Achtung! Vor Verwendung des Trampolins die (Hosen-)Taschen leeren!
- Nur unter Aufsicht eines Erwachsenen verwenden.
- Benutzen Sie niemals das Trampolin, wenn es nass ist.
- Das Spielzeug ist vor Gebrauch von einem Erwachsenen zu montieren.
- Falls Teile nicht mitgeliefert wurden oder fehlerhaft sind, wenden Sie sich bitte an Ihre Verkaufsstelle.
- Achtung: Wir können nicht haftbar gemacht werden für Verletzungen die während des Gebrauchs des Trampolins auftreten können.
- Max. Belastungsgewicht: 30kg.
- Alter: 3 bis 7 Jahre.

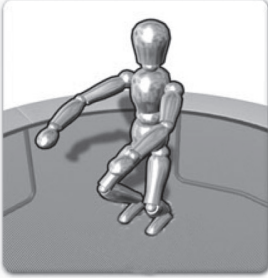
## 2.1 Warnhinweise zur Sicherheit:

- **BEVOR SIE IHR TRAMPOLIN IN GEBRAUCH NEHMEN:** Sie müssen diese Gebrauchsanweisung vollständig lesen und verstehen. Wie bei allen Körpersportarten und Aktivitäten trägt der Ausübende das Verletzungsrisiko. Um Ihre künftige Freude am Gerät sicherzustellen und auch, um Verletzungen vorzubeugen, befolgen Sie die Sicherheitsbestimmungen und -tipps.
- Diese Gebrauchsanweisung muss erhalten bleiben.
- Schließen Sie das Sicherheitsnetz jedes Mal, bevor das Trampolin im Betrieb genommen wird.
- **SUCHEN SIE IMMER EINEN ARZT AUF, BEVOR SIE JEDLICHE ART VON KÖRPERLICHER ANSTRENGUNG DURCHFÜHREN.**
- **PRÜFEN SIE IHR TRAMPOLIN VOR JEDEM GEBRAUCH. ACHTEN SIE DABEI BESONDERS AUF ALLE BOLZEN, DAS SPRUNGTUCH UND DIE POSITION DER MATTEN. BENUTZEN SIE DAS TRAMPOLIN NICHT, WENN TEILE FEHLEN ODER ANZEICHEN VON ABNUTZUNG SICHTBAR SIND.**
- **STELLEN SIE STETS SICHER, DASS DAS TRAMPOLIN IMMER NUR VON EINER EINZIGEN PERSON VERWENDET WIRD.**
- **STELLEN SIE STETS SICHER, DASS DAS TRAMPOLIN IMMER NUR UNTER AUFSICHT VERWENDET WIRD, GLEICHGÜLTIG VON ERFAHRUNG ODER FÄHIGKEITEN**
- Unterbrechen Sie Ihre Übungen sofort, falls Sie sich unwohl fühlen oder Schmerzen in den Gelenken und Muskeln verspüren. Schwindel ist ein Zeichen von Müdigkeit und Sie sollten mit dem Springen aufhören und sich auf den Boden legen, wenn Ihnen schwindlig ist.
- Sie dürfen dieses Trampolin nur mit geeigneter Kleidung gebrauchen, vorzugsweise Sportkleidung und -socken. **TRAGEN SIE NIEMALS SCHUHE AUF DER MATTE.**
- Seien Sie sich bewusst, dass das Trampolin mit Federn versehen ist und der Anwender dadurch größere Höhen springen kann, als die Höhe zum Boden beträgt. Vergessen Sie das niemals und üben Sie das Springen zu Beginn erst mit kleinen Sprüngen, bis Sie sich dabei wohlfühlen.
- Ordnungsgemäßer Zusammenbau, Pflege und Wartung dieses Produkts, Sicherheitshinweise und -warnungen, sowie die richtigen Sprungtechniken sind Teil dieser Anleitung und zu Ihrer Sicherheit und einer langen Lebensdauer Ihres Trampolins gedacht. Alle Verwender und Aufsichtspersonen sollten sich aus diesem Grund mit diesen Anleitungen vertraut machen. Jeder, der das Trampolin gebraucht, muss sich seinen eigenen Einschränkungen bewusst sein in Bezug auf seine Fähigkeiten in der Anwendung dieses Trampolins.
- Dieses Produkt ist nur für den häuslichen Gebrauch bestimmt.
- **BEWEGEN DES TRAMPOLINS.** Zum Bewegen des Trampolins sind 2 Personen benötigt werden. Heben Sie das Trampolin zum Umstellen leicht vom Boden an und halten Sie es horizontal zum Boden. Um das Trampolin auf eine andere Weise umzustellen, müssen Sie es auseinanderbauen. Zur Demontage benutzen Sie die Aufbauanleitung in umgekehrter Reihenfolge.



## 2.2 ERSTMALIGE VERWENDUNG DES TRAMPOLINS

Sie sollten sich mit Ihrem Trampolin vertraut machen und verstehen, wie viel Kraft in jedem Sprung stecken kann. Ihr Hauptmerkmal sollte zuerst Ihre Körperhaltung und Technik sein, bis jede Übung mit Leichtigkeit und kontrolliert durchgeführt werden kann.



- **BEVOR SIE ZU HOCH SPRINGEN** Das Stoppen sollte beherrscht werden, da es Verletzungen verhindern kann, sollten Sie das Gefühl haben unkontrolliert zu springen.
- Wenn der Springende auf dem Tuch aufkommt, sollten die Knie gebeugt sein, so dass sie den Sprung abfangen. Die Position wird auf dem Bild links angezeigt. Arme für zusätzliches Gleichgewicht auseinanderhalten.
- Diese Übung wird verwendet, wenn der Trampolin-Benutzer das Springen aufgrund von Müdigkeit, Kontrollverlust, etc. einstellen will.



**PURZELBÄUME (FLIPS): NIEMALS** irgendwelche Purzelbäume (weder rückwärts noch vorwärts) auf diesem Trampolin durchführen. Bei einem Fehler bei der Durchführung eines Purzelbaums, könnten Sie auf den Kopf oder den Hals fallen. Das erhöht Ihr Risiko einer Hals- oder Rückenverletzung und könnte zum Tod oder zur Lähmung führen.



**FREMDE OBJEKTE: NIEMALS** das Trampolin benutzen, wenn sich Tiere, andere Menschen oder Objekte unter dem Trampolin befinden. Dies erhöht die Verletzungsgefahr. Halten Sie keine fremden Gegenstände in Ihrer Hand und legen Sie **KEINE** Objekte auf das Trampolin während Sie es benutzen. Stellen Sie das Trampolin **NICHT** unter überhängenden Objekten auf, wie Baumzweige, Drähte, etc. da dies die Verletzungsgefahr erhöht.

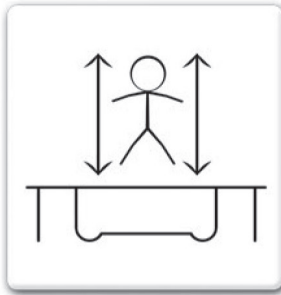


**A SCHLECHTE WARTUNG DES TRAMPOLINS:** Ein Trampolin in schlechtem Zustand erhöht die Verletzungsgefahr. Bitte untersuchen Sie das Trampolin vor jedem Gebrauch auf verbogene Stahlrohre, zerrissene Matten, lockere oder gebrochene Federn und prüfen Sie die allgemeine Stabilität.



**BESCHRÄNKTER ZUGRIFF:** Schließen Sie das Sicherheitsnetz jedes Mal wenn das Trampolin nicht verwendet wird, damit unbeaufsichtigte Kindern nicht auf dem Trampolin spielen können.

## 2.3 TIPPS UM DIE UNFALLGEFAHR ZU REDUZIEREN



Um die Unfallgefahr zu reduzieren, sollten Sie, der "TRAMPOLIN-USER":

- Immer Kontrolle über Ihre Sprünge und Körperhaltung haben.
- Keine Übung durchführen, die über Ihr Können hinausgeht.
- Den Sprung verstehen, bevor Sie ihn auf der Matte durchführen und in der Mitte des Trampolins aufkommen.
- Immer vertikal springen und vermeiden, auf die Federn zu springen.
- Immer einen ausgebildeten Trampolin-Lehrer befragen, bevor Sie weiterführende Übungen versuchen.

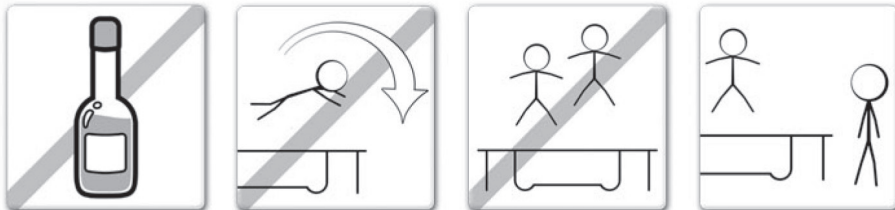
Um das Unfallrisiko zu senken, sollte der "SUPERVISOR":

- Alle Sicherheitsregeln und -Richtlinien vollständig verstehen und diese auch durchsetzen.
- Den Trampolin-User über dessen Wissen in Bezug auf das Trampolin befragen, um dessen Sicherheit zu gewährleisten.
- Aufmerksam sein und den Trampolin-User auf alle Sicherheitswarnungen hinweisen.

**WICHTIG: Wenn das Trampolin nicht überwacht werden kann, sollte es eine Methode zur Sicherung geben, damit niemand es verwendet, bevor Überwachung gegeben ist.**

## 2.4 SICHERHEITSANWEISUNGEN

### VORSICHTSMASSNAHMEN FÜR DEN GEBRAUCH DES TRAMPOLINS



- Benutzen Sie das Trampolin nicht, wenn Sie Alkohol oder Drogen zu sich genommen haben.
- Sie sollten immer vorsichtig und kontrolliert auf das Trampolin hinauf- und hinabklettern. Springen Sie niemals auf oder ab und verwenden Sie das Trampolin niemals, um auf oder in andere Objekte zu springen.
- Lernen Sie immer den Grundsprung und beherrschen Sie jede Art von Sprung, bevor Sie sich an schwierigere Sprünge versuchen. Wiederholen Sie den Abschnitt zu den Grundsprüngen um diese zu erlernen.
- Um den Sprung zu unterbrechen, gehen Sie in die Knie, wenn Sie auf Ihren Füßen aufkommen.
- Springen Sie immer kontrolliert auf dem Trampolin. Bei einem kontrollierten Sprung landen Sie auf der gleichen Stelle, wie Sie abgesprungen sind. Wenn Sie jemals das Gefühl haben, keine Kontrolle zu haben, brechen Sie den Sprung sofort ab.
- Springen oder hüpfen Sie nicht übermäßig lange oder zu hoch. Halten Sie Ihre Augen auf der Matte, um die Kontrolle zu behalten. Wenn nicht, könnten Sie Ihr Gleichgewicht verlieren.
- Es darf nie mehr als 1 Person gleichzeitig auf dem Trampolin sein.

### SICHERHEITSMASSNAHMEN ZUR ÜBERWACHUNG DES TRAMPOLINS

- **WICHTIG:** Machen Sie sich vertraut mit den Grundsprüngen und Sicherheitsregeln. Um die Risikogefahr zu reduzieren, stellen Sie sicher, dass alle Sicherheitsregeln befolgt werden und dass neue Anwender die Grundsprünge lernen, bevor sie fortgeschrittene Techniken anwenden.
- **ALLE USER** müssen beaufsichtigt werden, gleichgültig wie geübt oder wie alt sie sind.
- Benutzen Sie niemals das Trampolin, wenn es nass, beschädigt, schmutzig oder abgenutzt ist. Das Trampolin sollte vor jeder Verwendung überprüft werden.
- Halten Sie alle Gegenstände, die die Benutzung des Trampolins stören könnten, immer davon fern. Achten Sie darauf, was über, unter und um das Trampolin herum ist.
- Um unbeaufsichtigte oder nicht-autorisierte Benutzung zu vermeiden, sollte das Trampolin immer gesichert sein.

## 2.5 UNFALL KLASSIFIZIERUNG & IDENTIFIKATION



### **EIN- UND AUSSTEIGEN:**

Seien Sie sehr vorsichtig, wenn Sie das Trampolin betreten oder verlassen. Steigen Sie NICHT auf das Trampolin, indem Sie sich an der Matte festhalten, auf die Federn steigen oder von einem anderen Gegenstand auf die Matte springen (z.B. einer Terrasse, Decke oder Leiter). Dies ist extrem gefährlich. Springen Sie NICHT vom Trampolin herunter auf den Boden. Kleine Kinder auf dem Trampolin könnten Hilfe brauchen, wenn sie auf das Trampolin klettern oder es verlassen wollen.



### **KONSUM VON ALKOHOL ODER DROGEN:**

Konsumieren Sie KEINEN Alkohol oder Drogen (einschließlich Medikamente, die die Koordination beeinflussen können), wenn Sie das Trampolin verwenden. Dies ist extrem gefährlich, da Fremdstoffe Ihr Urteilsvermögen, Ihre Reaktionszeit und die allgemeine körperliche Koordination beeinflussen können.



### **MEHRERE USER:**

Es darf nie mehr als 1 Person gleichzeitig auf dem Trampolin sein.

### **DEN SPRUNGRAHMEN BERÜHREN:**

Wenn Sie sich auf dem Trampolin bewegen, BLEIBEN Sie in der Mitte der Matte. Das senkt das Verletzungsrisiko bei Landung auf dem Sprungrahmen. Lassen Sie immer die Rahmenabdeckung auf dem Trampolin. Springen Sie nicht auf den Sprungrahmen und stellen Sie sich nicht direkt darauf, denn er ist nicht auf das Gewicht einer Person ausgelegt.



### **KONTROLLVERLUST:**

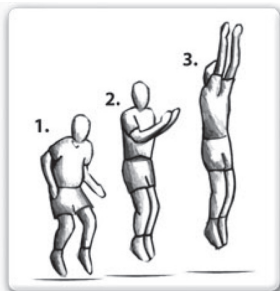
Versuchen Sie KEINE schwierigen Übungen, bis Sie die Grundsprünge beherrschen. Wenn Sie diese Richtlinien nicht befolgen, erhöhen Sie die Verletzungsgefahr.

**Achtung! Alle 10 Minuten eine Pause machen.**

## 3.0 TRAMPOLIN TECHNIKEN

### GRUNDÜBUNGEN

#### GRUNDÜBUNG 1: Der Grundsprung



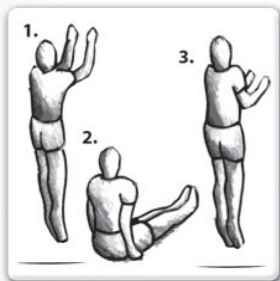
- Aus der stehenden Position heraus, Füße schulterweit auseinander, Kopf hoch und Augen auf das Trampolin gerichtet.
- Arme vorwärts und über dem Kopf kreisförmig schwingen.
- Beine und Füße "Mit-Luft" zusammenbringen und Zehen strecken.
- Auf der Matte landen mit Füßen schulterweit auseinander (wie Ausgangsposition).
- Wenn man sich mit der Durchführung wohlfühlt und sie beherrscht, kann man mit dem nächsten Sprung weitermachen.

#### GRUNDÜBUNG 2: Der Kniefall

- Beginnen Sie mit einem tiefen Grundsprung, wie oben beschrieben.
- Landen Sie auf den Knien, die schulterweit auseinander sind, Rücken gerade halten und eine starke Körperposition einnehmen, dabei Arme zur Seite oder nach vorne, um das Gleichgewicht zu halten.
- Springen Sie zurück in die Grundsprung-Position indem Sie den Sprung-Moment verwenden und die Arme über dem Kopf schwingen.
- Wenn Sie das auf dieser Höhe beherrschen, versuchen Sie etwas höher zu springen, aber vergessen Sie nicht, Ihre Höhe immer zu kontrollieren.



#### GRUNDÜBUNG 3: Der Po-Fall



- Beginnen Sie mit einem tiefen Grundsprung (GRUNDÜBUNG 1) in der Grundposition.
- Landen Sie mit den Beinen vor Ihnen, dabei Hände an Ihre Hüften und eine starke Körperposition einnehmen.
- Zusammen mit dem Sprung-Moment, drücken Sie mit den Händen nach oben, um in die stehende Position zu gelangen.
- Wenn Sie das auf dieser Höhe beherrschen, versuchen Sie etwas höher zu springen, aber vergessen Sie nicht, Ihre Höhe immer zu kontrollieren.

**WICHTIG:** Bitte fragen Sie einen ausgebildeten Trampolin-Lehrer, bevor Sie schwierigere Übungen versuchen, um sicherzustellen, dass das größtmögliche Sicherheitsniveau immer noch gewährleistet ist.

## 4.0 Allgemeine Informationen

- Die selbstsichernden Muttern und Schrauben können nur einmal verwendet werden und sind nach dem Abbau des Trampolins und/oder des Sicherheitsnetzes zu ersetzen.
- Trampoline auf einer geraden Fläche mit einer Entfernung von mindestens 2 Metern zu anderen Gebäuden oder Hindernissen aufstellen, wie beispielsweise Zäunen, Garagen, Häusern, Zweige von Bäumen, Wäscheleinen oder Stromkabeln.
- Defekte Teile immer entsprechend der Herstellerempfehlung auswechseln.
- Änderungen am Trampolin (z. B. die Verwendung von Zubehör) dürfen nur gemäß Herstellerempfehlungen vorgenommen werden.

## 5.0 TRAMPOLIN ZUSAMMENBAU

### ZUSAMMENBAU - SCHRITT FÜR SCHRITT

#### **Nur von Erwachsenen zusammenbauen lassen.**

Zum Zusammenbau dieses Trampolins brauchen Sie nur unser beiliegendes Spezial-Federspannwerkzeug. Wird es nicht benutzt, kann dieses Trampolin ganz einfach auseinanderggebaut und eingelagert werden.

Bitte lesen Sie die Anleitung genau durch, bevor Sie mit der Montage beginnen.

Die Tabelle beinhaltet die Teilebeschreibung und Teilenummern. In dieser Anleitung werden diese Beschreibungen und Nummern als Referenz verwendet.

Stellen Sie sicher, dass Sie alle aufgeführten Teile haben. Falls Teile fehlen sollten, so nehmen Sie bitte Kontakt mit der Verkaufsstelle auf.

**Bitte benutzen Sie Handschuhe um zu vermeiden, dass Ihre Hände während des Aufbaus eingeklemmt werden. Wenn Sie startbereit sind, sorgen Sie bitte für genügend Platz und einen sauberen, trockenen Ort für den Zusammenbau.**

## 6.0 PFLEGE UND UNTERHALT

Dieses Trampolin wurde entwickelt und hergestellt aus qualitativ hochwertigen Materialien und Verarbeitung. Bei sorgfältiger Pflege und Wartung werden alle User jahrelang üben können und Spaß und Freude haben und dabei gleichzeitig die Verletzungsgefahr reduzieren. Bitte folgen Sie untenstehenden Richtlinien:

Dieses Trampolin wurde entwickelt, um ein gewisses Gewicht und Beanspruchung auszuhalten. Bitte stellen Sie sicher, dass nur immer eine Person das Trampolin gleichzeitig benutzt. Users sollte entweder Socken oder Gymastikschuhe tragen bzw. barfuß das Trampolin benutzen. Straßenschuhe oder Tennisschuhe sollten NICHT getragen werden, bei der Benutzung des Trampolins. Um zu vermeiden, dass die Trampolin-Matte eingerissen oder beschädigt wird, lassen Sie keine Tiere auf die Matte. Users sollten alle scharfen Objekte entfernen vor der Benutzung des Trampolins. Alle scharfen oder spitzen Objekte sollten stets von der Trampolin-Matte ferngehalten werden.

### Wartungsanleitung

Es ist besonders wichtig, zu Saisonbeginn und regelmäßig während der Saison stets die folgenden Wartungsanweisungen einzuhalten:

- Der Sitz aller Schrauben und Muttern muss regelmäßig geprüft werden. Bei Bedarf müssen sie nachgezogen werden.
- Alle Federverbindungen (Arretierungsstifte) müssen intakt sein und dürfen bei Verwendung des Trampolins kein Spiel haben.
- Verkleidungsschrauben und scharfe Ränder müssen geprüft und bei Bedarf ersetzt werden.
- Die Wartungsanleitung gut aufbewahren.

Überprüfen Sie stets das Trampolin vor der Benutzung auf abgenutzte, falsch verwendete oder fehlende Teile. Es könnten viele Bedingungen eintreten, die das Verletzungsrisiko erhöhen können. Achten Sie besonders auf:

- Punktierungen, Löcher oder Risse in der Trampolin-Matte
- Durchhängende Trampolin-Matte
- Lose Nähte oder andere Verschlechterungen der Matte
- Verbogene oder gebrochene Rahmenteile, wie die Stützen
- Gebrochene, fehlende oder beschädigte Federn
- Beschädigte, fehlende oder schlecht angebrachte Rahmenmatten
- Alle herausragende Teile (besonders, wenn sie scharf sind) auf Rahmen, Federn oder Matte

**WENN SIE EINE DER AUFGEFÜHRTEN KONDITIONEN FESTSTELLEN ODER SIE DAS GEFÜHL HABEN, DASS ETWAS ANDERES EINEN USER VERLETZEN KÖNNTE, DANN SOLLTE DAS TRAMPOLIN AUSEINANDERGEBAUT ODER VOR DEM GEBRAUCH GESICHERT WERDEN, BIS DIE KONDITION(EN) GEKLÄRT SIND.**

### VERSETZEN DES TRAMPOLINS

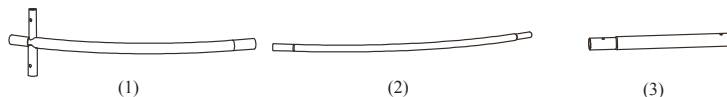
Wenn Sie das Trampolin versetzen wollen, sollten zwei Personen mitarbeiten. Alle Verbindungspunkte sollten sicher mit wetterfestem Klebeband, wie Isolierband, umwickelt werden. Dadurch bleibt der Rahmen während des Bewegens sicher und verhindert, dass die Verbindungspunkte sich lösen. Beim Bewegen heben Sie das Trampolin leicht vom Boden weg und halten es horizontal zum Erdboden.

Bei einer anderen Art des Bewegens sollten Sie das Trampolin auseinanderbauen.

## Teieliste Trampolin

Teile Nr.	Beschreibung	#
1	Rahmen	6
2	Schiene	6
3	Stütze	6
4	Matte mit Netz	1
5	Rahmenpolsterung	1
6	Gummispanner mit Ball	32
7	Gerades Rohr	6
8	Kunststoff-Unterzug	6
9	Schaumteil 1 (490mm)	6
10	Schaumteil 2 (510mm)	6
11	Schaumteil 3 (570mm)	6
12	Schneidschraube	20
13	Stangenkappe	6

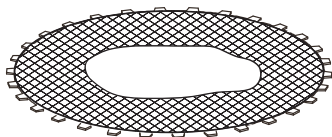
Hierin aufgeführt sind die Spezifikation und Produkteigenschaften, wie sie zum Zeitpunkt des Drucks gültig waren. Produkt, Verfügbarkeit, Spezifikationen und Eigenschaften können sich jedoch ohne vorherige Ankündigung ändern.



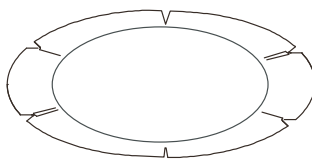
(1)

(2)

(3)



(4)



(5)



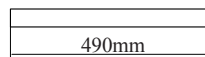
(6)



(7)

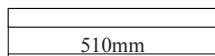


(8)



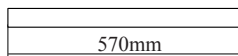
490mm

(9)



510mm

(10)



570mm

(11)



(12)



(13)



Tools

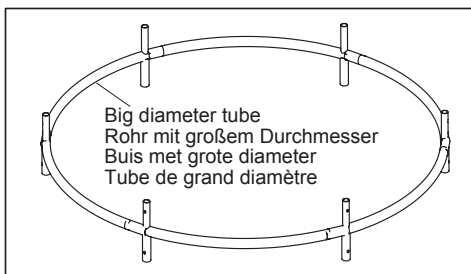
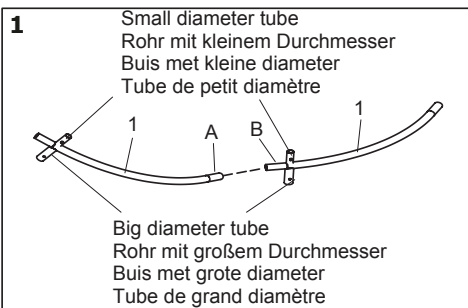


### Schritt 1

Legen Sie zwei Rohrstücke (1) auf den Boden, wie abgebildet.  
Schieben Sie ein Ende A des Rohrs (1) in Ende B des anderen Rohrstücks (1).

Wiederholen Sie diesen Schritt bis die sechs Rohrstücke verbunden sind wie abgebildet.

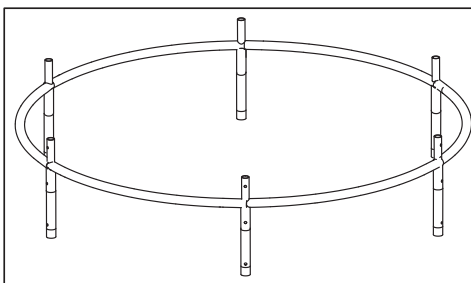
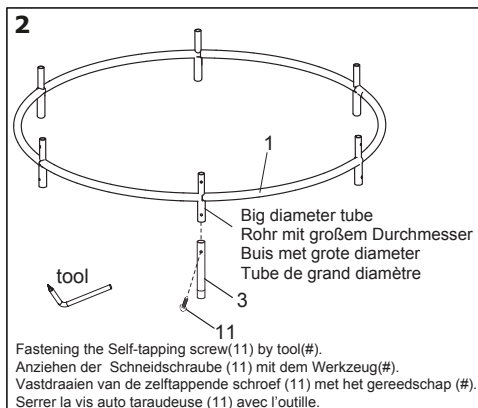
**Bitte beachten: Stellen Sie sicher, dass das Rohr mit dem großen Durchmesser auf den Boden weist.**



### Schritt 2

Schieben Sie das Teilstück (3) in den Rahmen mit dem großen Durchmesser (1), dann mit einer Schneidschraube anziehen (11) mit dem Werkzeug.

Wiederholen Sie diesen Schritt zur Montage der übrigen Teilstücke (3) an den Rahmen (1) auf dieselbe Weise.



### Schritt 3

#### Schritt 3

Zunächst passen Sie die Öffnung der Umgrenzung wie abgebildet an, in der Mitte zwischen den beiden Stützen.

Dann befestigen Sie die Matte durch das Netz (4) am Rahmen mit Hilfe eines Gummispanners mit Ball (6) wie abgebildet auf der vergrößerten Zeichnung in der Reihenfolge A-B-C-D-E-F. Jeder Gummispanner mit Ball (6) befindet sich ebenfalls in der Mitte zwischen zwei Stützen.

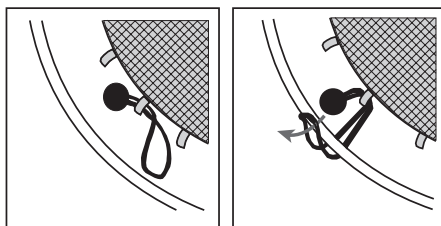
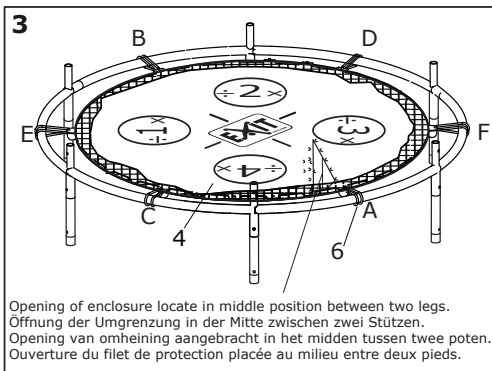
Die übrigen Gummispanner mit Ball (6) auf dieselbe Weise an der betreffenden Stelle des Rahmens anbringen.

#### Bitte beachten:

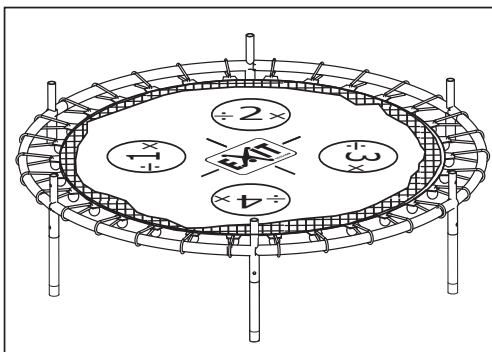
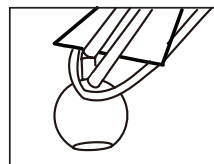
Wenn sich die Matte nicht in der Mitte des Rahmens befindet, nehmen Sie sich die Zeit sie anzupassen, indem Sie den Gummispanner mit Ball zurechtziehen (6).

#### Bitte beachten:

**Alle Gummispanner mit Ball (6) sollten sich auf der Unterseite befinden, wie abgebildet.**

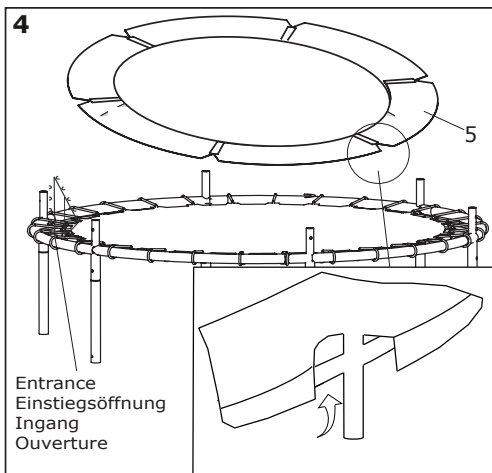


Enlarged drawing.  
 Vergrößerungszeichnung.  
 Vergrote tekening.  
 Agrandissement.



### Schritt 4

Legen Sie die Rahmenpolsterung (5) auf den Rahmen. Legen Sie sie so hin, dass die Schlitz genau über den Stützen liegen, wie abgebildet.

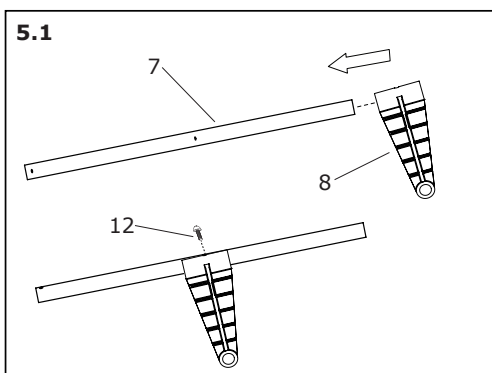


### Schritt 5

Legen Sie ein gerades Rohr (7) auf den Boden.

#### 5.1

Schieben Sie Kunststoff-Unterzug (8) auf das gerade Rohr (7). Ziehen Sie eine Schneidraube (12) fest an mit dem Werkzeug.

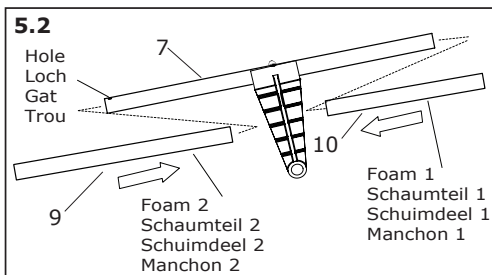


#### 5.2

Ziehen Sie Schaumteil 1 490mm (9) über das gerade Rohr (7) von der Seite mit dem Loch auf dem Rohr.

Ziehen Sie Schaumteil 2 510mm (10) über das gerade Rohr (7).

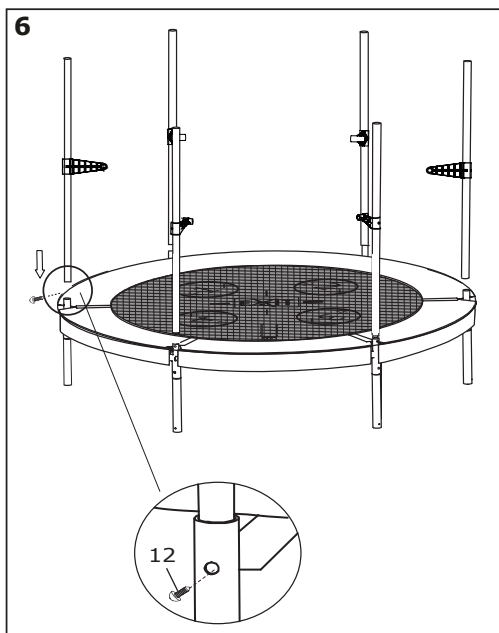
Wiederholen Sie diesen Schritt bei den übrigen Schaumstoff- und Kunststoffteilen dieses Arbeitsschrittes.



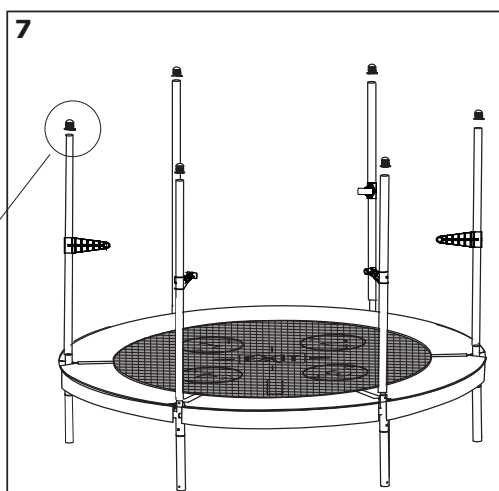
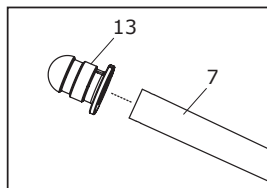
**Schritt 6**

Fügen Sie das gerade Rohr (7) in den Rahmen (1). Vergewissern Sie sich, dass die Löcher auf dem Rohr (7) und auf dem Rahmen (1) auf einer Linie liegen. Dann ziehen Sie die Schneidschraube (12) an benutzen Sie dazu das Werkzeug.

Wiederholen Sie diesen Schritt zur Montage der übrigen geraden Rohre.

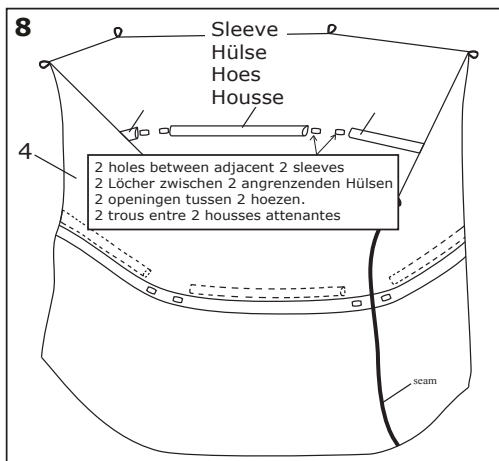
**Schritt 7**

Stecken Sie die Stangenkappe (13) auf die Spitze des geraden Rohres (7).



### Schritt 8

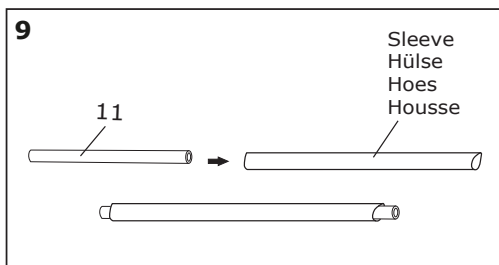
Falten Sie das Netz auseinander (4) und packen Sie die darin eingenähte Hülse aus; darin finden Sie alle sechs Hülßen. Bitte beachten Sie die beiden Löcher zwischen den angrenzenden Hülßen.



### Schritt 9

Schieben Sie Schaumteil 3 570mm (11) in die Hülse im Netz.

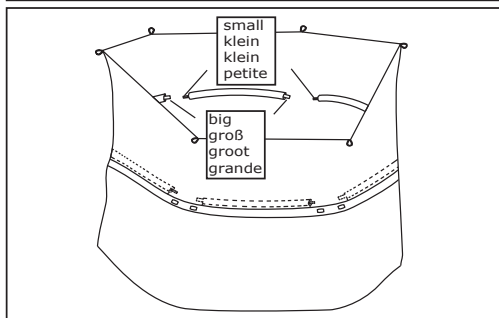
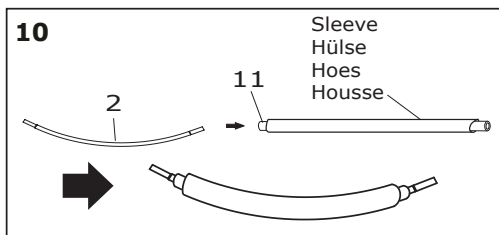
Wiederholen Sie diesen Schritt bis alle sechs Gepolsterten in die Hülßen rutschen.



### Schritt 10

Schieben Sie die Schiene (2) in das längere Schaumteil 3 570mm (11), die Hülse inbegriffen, wie abgebildet.

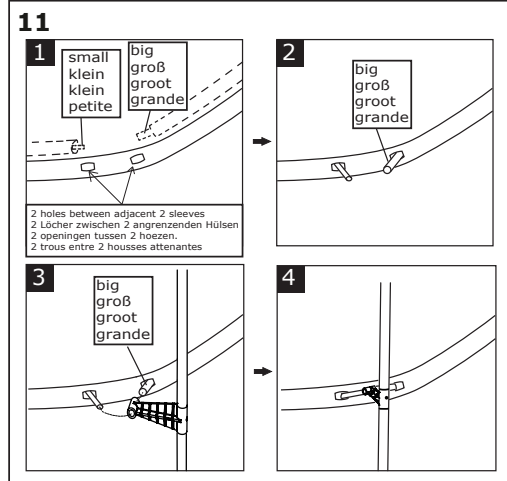
Wiederholen Sie diesen Schritt bis alle sechs Schienen sich in den Hülßen befinden.



### Schritt 11

Ziehen Sie den großen und den kleinen Kopf der den angrenzenden Schienen (2) aus den Netzlöchern, wie abgebildet. Schieben Sie dann den großen Kopf in den Kunststoff-Unterzug (8), dann setzen Sie den kleinen Kopf in den großen Kopf, wie abgebildet.

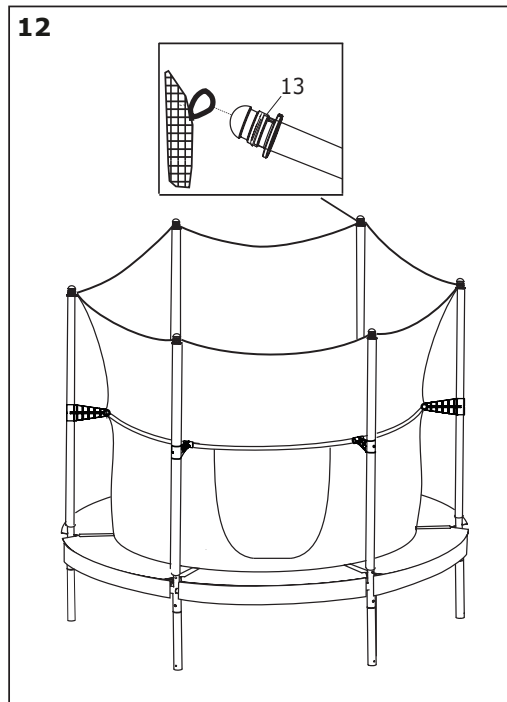
Wiederholen Sie diesen Schritt zum Montieren der übrigen Schienen.



### Schritt 12

Stecken Sie die Stangenkappe (13) durch einen Gummispanner oben, wie abgebildet.

Vergewissern Sie sich, dass alle Teile sicher angebracht sind. Machen Sie sich und alle Benutzer vertraut mit dem Trampolin und den Anlagen mit Sicherheits- und Wartungshinweisen bevor Sie das Trampolin benutzen.



**Herzlichen Glückwunsch! Ihr Trampolin ist nun montiert und bereit zum Gebrauch.**

## 7.0 Garantie

1. Der Besitzer des EXIT Bounzy Trampolin erhält nach dem Datum der Kaufquittung:
  - 1 Jahre Garantie auf den Bruch des Rahmens und auf dem Sprungtuch.
  - 6 Monate Garantie auf den Schutzrand.
  - 6 Monate Garantie auf das Reißen des Netzes.
2. Die Garantie gilt ausschließlich für Material- und Konstruktionsfehler in Bezug auf dieses Produkt oder Einzelteile davon.
3. Die Garantie verfällt, wenn:
  - Dieses Produkt falsch und/oder nicht sorgfältig benutzt und zu Zwecken benutzt wird, die nicht dem Benutzungszweck entsprechen.
  - Dieses Produkt nicht entsprechend den Montage- und Wartungsanweisungen montiert und gewartet wurde.
  - Technische Reparaturen an diesem Produkt nicht auf fachkundige Weise durchgeführt wurden.
  - Später montierte Einzelteile nicht übereinstimmen mit den technischen Spezifikationen des betreffenden Produkts oder falsch montiert sind.
  - Mängel infolge klimatischer Einflüsse wie Rost, UV-Strahlung oder normaler Verwitterung.
  - Das Produkt vermietet wird oder auf andere Weise mehreren unbefugten Personen zur Verfügung steht.
4. Während der Garantieperiode werden alle von EXIT Toys festgestellten Material- oder Konstruktionsfehler von EXIT Toys nach eigenem Ermessen repariert oder ersetzt.
5. Der Besitzer des EXIT Toys Trampolin kann nur Anspruch auf die Garantie erheben, indem er das Produkt dem EXIT Toys Händler zur Begutachtung zur Verfügung stellt. Hierzu muss dem EXIT Toys Händler der original Kaufquittung übergeben werden.
6. Stellt EXIT Toys Material- oder Konstruktionsfehler fest, wird das Produkt oder Einzelteile davon während der in Artikel 1 genannten Garantieperiode von EXIT Toys nach eigenem Ermessen kostenlos repariert, bzw. ersetzt.
7. Ist der Anspruch auf die Garantie nicht gerechtfertigt, gehen alle entstandenen Kosten zu Lasten des Besitzers des EXIT Toys Trampolin.
8. Die Garantie ist nicht an Dritte übertragbar.
9. Das Trampolin ist für den privaten Gebrauch vorgesehen. Sie dürfen nicht vermietet oder auf öffentlichen Plätzen wie Schulen und Kindertagesstätten verwendet werden. Bei Vermietung oder Verwendung auf öffentlichen Plätzen verfällt jede Garantie sowie weitere Verantwortlichkeit.

## 1.0 Introductie

Gefeliciteerd met uw Bounzy Trampoline van EXIT Toys!

### **Pret maken, actief leven en buiten spelen.....**

Dat is onze motivatie om innovatief en kwalitatief speelgoed te ontwikkelen voor coole kinderen.

We doen er alles aan om producten te ontwikkelen die veilig zijn voor kinderen. Aangezien onze producten worden geclassificeerd als speelgoed, voldoen we aan de strengste normen op het vlak van consumentveiligheid. Voordat we een product op de markt brengen, laten we onafhankelijke tests uitvoeren voor de vereiste certificaten. We voeren ook voortdurend controles uit tijdens de productie en we laten regelmatig nieuwe onafhankelijke tests uitvoeren als extra controle. Enkel de producten die voldoen aan de strengste normen van EXIT Toys krijgen het EXIT Toys merk.

Wij stellen het zeer op prijs dat u bij ons klant bent en danken u voor het vertrouwen in dit product. We zijn er zeker van dat uw kinderen evenveel van dit product zullen genieten als wij tijdens de ontwikkeling ervan. Omdat we open staan voor uw mening, zijn uw opmerkingen en ideeën steeds welkom zodat we onze producten nog kunnen verbeteren en nieuwe kunnen ontwikkelen. Neem daarom gerust contact op via [info@exittoys.com](mailto:info@exittoys.com).

Bezoek de wereld van EXIT Toys op [www.exittoys.com](http://www.exittoys.com) en ontdek ook onze andere stoere en nieuwe buitenspeel producten.

Het team van EXIT Toys



## 2.0 Richtlijnen voor veilig gebruik

Als u de instructies voor de trampoline correct opvolgt, kunt u nagenoeg alle risico's vermijden. Houd er wel rekening mee dat kinderen van nature graag spelen en dat dit tot onvoorziene gevaarlijke situaties kan leiden waarvoor de fabrikant niet verantwoordelijk is. Leer uw kinderen hoe ze het product moeten gebruiken en wijs hen op de mogelijke gevaren.

**Lees en volg deze algemene waarschuwingen voordat u het product monteert en gebruikt:**



### WAARSCHUWING

Om ernstige verwondingen te vermijden



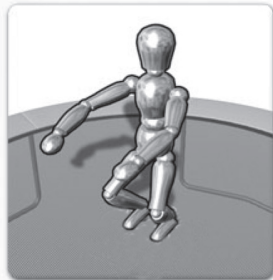
- Lees en begrijp de handleiding voor gebruik.
- Waarschuwing! Dit product is uitsluitend bedoeld voor thuisgebruik.
- Waarschuwing! VERSTIKKINGSGEVAAR! - Kleine onderdelen. Niet voor kinderen jonger dan 3 jaar.
- Bescherm kinderen
  - Voorkom valpartijen en beknelling - Ga uitsluitend door de deur naar buiten en let hierbij op.
  - Help jonge kinderen in en uit het veiligheidsnet.
- Waarschuwing! Laat nooit meer dan 1 persoon tegelijk op de trampoline.
- Waarschuwing! Maak geen salto's of andere moeilijke sprongen!
- Waarschuwing! Leeg uw zakken voordat u de trampoline gebruikt!
- Steeds gebruiken onder toezicht van een volwassene.
- Gebruik de trampoline niet wanneer deze nat is.
- Dit product moet voor gebruik worden gemonteerd door een volwassene.
- Neem in geval van ontbrekende of kapotte onderdelen contact op met het verkooppunt voor assistentie.
- Waarschuwing: Wij zijn niet aansprakelijk voor enig letsel dat kan ontstaan tijdens het gebruik van de trampoline.
- Maximum gewicht van gebruiker: 30kg.
- Leeftijd: 3 - 7 jaar.

## 2.1 Waarschuwingen voor een veilig gebruik:

- Lees de informatie in deze handleiding en zorg ervoor dat u deze begrijpt. Zoals bij alle fysieke sporten en activiteiten bestaat het risico dat deelnemers letsel oplopen. Neem de van toepassing zijnde veiligheidsregels en -tips in acht zodat u van het toestel kunt genieten en letsel wordt voorkomen.
- Deze gebruiksaanwijzing moet bewaard blijven.
- Sluit altijd het veiligheidsnet vóór gebruik van de trampoline.
- **RAADPLEEG ALTIJD EEN DOKTER / ARTS VOORDAT U FYSIEKE INSPANNINGEN GAAT LEVEREN.**
- **CONTROLEER DE TRAMPOLINE ALTIJD VOOR GEBRUIK. LET DAARBIJ SPECIFIEK OP ALLE BOUTEN, DE SPRINGMAT EN DE POSITIE VAN DE RANDKUSSENS. GEBRUIK DE TRAMPOLINE NIET ALS ER ONDERDELEN ONTBREKEN OF ALS DEZE TEKENEN VAN SLIJTAGE VERTONEN.**
- **ZORG ER ALTIJD VOOR DAT DE TRAMPOLINE DOOR SLECHTS 1 PERSOON TEGELIJK WORDT GEBRUIKT.**
- **ZORG ER ALTIJD VOOR DAT DE TRAMPOLINE ONDER TOEZICHT WORDT GEBRUIKT (BIJ IEDEREEN EN BIJ ELK VAARDIGHEIDSNIVEAU).**
- Stop onmiddellijk met springen als u zich onwel voelt of als u pijn in uw gewrichten en spieren krijgt. Duizeligheid is een teken van vermoeidheid. Stop met springen en ga op de grond liggen als u zich duizelig voelt.
- Zorg ervoor dat u geschikte kleding draagt wanneer u deze trampoline gebruikt, bij voorkeur sportkleding en sokken. **DRAAG NOOIT SCHOENEN OP DE MAT.**
- Waarschuwing: de trampoline is voorzien van veren waardoor de gebruiker veel hoger kan springen dan gewoon vanaf de grond. Houd hier rekening mee en zorg ervoor dat u zich zeker voelt bij het springen van kleine hoogtes.
- Deze handleiding bevat informatie over de juiste montage, zorg en onderhoud van het product, veiligheidstips, waarschuwingen en juiste technieken voor het springen op uw trampoline, zowel voor uw veiligheid als voor een langere levensduur van het product. Alle gebruikers en toezichhouders dienen zich daarom deze instructies eigen te maken. Iedereen die ervoor kiest om de trampoline te gebruiken, moet zich bewust zijn van zijn/haar eigen beperkingen in verband met het uitvoeren van oefeningen op deze trampoline.
- Dit product is uitsluitend bedoeld voor thuisgebruik.
- **VERPLAATSEN VAN DE TRAMPOLINE.** Wanneer de trampoline verplaatst moet worden, zijn hiervoor minimal 2 personen nodig. Til de trampoline iets op en houdt de trampoline bij het verplaatsen in horizontale positie. Indien noodzakelijk is het mogelijk de trampoline uit elkaar te halen. Volg hierbij de montagehandleiding in omgekeerde volgorde.

## 2.2 GEBRUIK VAN DE TRAMPOLINE

EERST dient u vertrouwd te raken met de trampoline en dient u te ervaren hoeveel vering elke sprong veroorzaakt. De aandacht dient hierbij vooral te liggen op de lichaamshouding en de techniek totdat elke oefening gemakkelijk en gecontroleerd kan worden uitgevoerd



- **VOORDAT U PROBEERT HOOG TE SPRINGEN** dient u de stoptechniek te leren omdat u daarmee letsel kunt voorkomen als u voelt dat u de sprongen niet meer onder controle hebt.
- Bij het landen op de mat moeten de knieën gebogen zijn zodat ze de vering van de mat stoppen en absorberen. De positie is links aangegeven. De armen worden gestrekt gehouden voor een beter evenwicht.
- Deze vaardigheid wordt gebruikt wanneer de trampolinegebruiker wil stoppen met springen vanwege vermoeidheid, controleverlies, etc.



**SALTO'S: MAAK GEEN** salto's (achterover of voorover) op deze trampoline. Als u bij het uitvoeren van een salto een fout maakt, kunt u op uw hoofd of nek terecht komen. Hierdoor vergroot u de kans dat u uw nek of rug breekt, waardoor u kunt overlijden of verlamd kunt raken.



**VREEMDE VOORWERPEN:** Gebruik de trampoline niet als er zich huisdieren, andere mensen of voorwerpen onder de trampoline bevinden. Hierdoor wordt de kans op letsel vergroot. Houdt **GEEN** voorwerpen in de hand en plaats **GEEN** voorwerpen op de trampoline als deze wordt gebruikt. Plaats de trampoline **NIET** onder overhangende voorwerpen zoals boomtakken, draden, etc. omdat deze de kans op letsel verhogen.

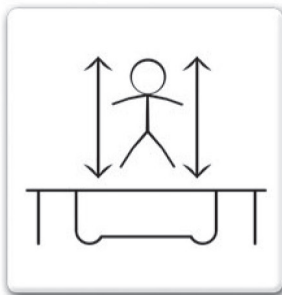


**SLECHT ONDERHOUD VAN DE TRAMPOLINE:** Een trampoline in slechte staat vergroot de kans op letsel. Inspecteer de trampoline voor elk gebruik op verbogen stalen buizen, scheuren in de mat, losse of gebroken veren en de algehele stabiliteit van de trampoline.



**TOEGANG BEPERKEN:** Sluit altijd het veiligheidsnet wanneer de trampoline niet wordt gebruikt, om te voorkomen dat kinderen zonder toezicht op de trampoline kunnen spelen.

## 2.3 TIPS OM HET RISICO OP ONGEVALLLEN TE VERLAGEN



Om het risico op ongevallen te verlagen, dient de 'TRAMPOLINEGEBRUIKER':

- zijn/haar sprongen en lichaamshouding altijd onder controle te houden;
- niet proberen oefeningen uit te voeren die zijn/haar vaardigheidsniveau te boven gaan;
- de sprong te lezen en te begrijpen door af te zetten en te landen in het midden van de trampoline;
- zijn/haar sprongen altijd onder controle te houden door af te zetten en te landen in het midden van de trampoline;
- altijd verticaal te springen en niet in de richting van de veren;
- altijd een officieel gediplomeerd trampoline-instructeur te raadplegen wanneer hij/zij oefeningen wil proberen die de basistechnieken te boven gaan.

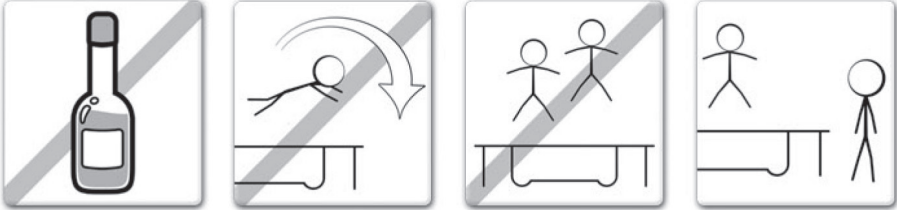
Om het risico op ongevallen te verlagen dient de 'TOEZICHTHOUDER':

- alle veiligheidsregels en -richtlijnen volledig te begrijpen en toe te zien op de naleving daarvan;
- de trampolinegebruiker te adviseren en aan te geven wat hij/zij goed en fout doet om de veiligheid van de trampolinegebruiker te waarborgen;
- op de hoogte te zijn van alle veiligheidswaarschuwingen en de trampolinegebruiker daarop te attenderen.

**BELANGRIJK: Als er geen toezicht bij de trampoline mogelijk is, moet er een methode zijn om het toestel te beveiligen en te voorkomen dat het door iemand gebruikt wordt totdat toezicht beschikbaar is.**

## 2.4 VEILIGHEIDSINSTRUCTIES VOOR DE TRAMPOLINE

### AANBEVOLEN VOORZORGSMAATREGELEN TIJDENS HET GEBRUIK VAN DE TRAMPOLINE



- Gebruik de trampoline niet als u alcohol of verdovende middelen hebt gebruikt.
- Klim de trampoline op en af op een gecontroleerde en behoedzame manier. Spring nooit op of van de trampoline af en gebruik de trampoline nooit als een hulpmiddel om op of in een ander object te springen.
- Leer altijd de basissprong en zorg ervoor dat u elk soort sprong onder de knie krijgt voordat u moeilijkere soorten sprongen probeert. Raadpleeg het hoofdstuk over de basisvaardigheden om de grondbeginselen te leren.
- Als u wilt stoppen met springen, buigt u de knieën wanneer u op uw voeten landt.
- Zorg dat u altijd controle houdt wanneer u op de trampoline springt. Bij een gecontroleerde sprong komt u neer op hetzelfde punt als vanwaar u zich hebt afgezet. Als u op enig moment voelt dat u het springen niet meer onder controle hebt, stop dan onmiddellijk.
- Spring niet te lang en maak niet teveel hoge sprongen achter elkaar. Houd uw ogen op de mat gericht om controle te houden. Als u dat niet doet, kunt u uit balans raken.
- Laat nooit meer dan 1 persoon tegelijk op de trampoline.

### Aanbevolen voorzorgsmaatregelen voor toezicht op de trampoline

**BELANGRIJK:** Maak uzelf vertrouwd met de basissprongen en de veiligheidsregels. Zorg ervoor dat alle veiligheidsregels worden nageleefd en dat nieuwe gebruikers de basissprongen leren voordat ze gevorderde technieken gaan proberen. Dit om het risico op letsel te voorkomen en verlagen.

- Bij ALLE GEBRUIKERS is toezicht vereist, ongeacht vaardigheidsniveau of leeftijd.
- Gebruik de trampoline nooit wanneer deze nat, beschadigd, vuil of versleten is. De trampoline dient voorafgaand aan gebruik te worden geïnspecteerd.
- Houd alle voorwerpen die tijdens het gebruik van de trampoline een belemmering kunnen vormen te allen tijde uit de buurt van het toestel. Wees u bewust van wat zich boven, onder en rond de trampoline bevindt.
- Om gebruik zonder toezicht en toestemming te voorkomen, dient de trampoline te allen tijde te worden beveiligd.

## 2.5 ONGEVALSCLASSIFICATIE EN -IDENTIFICATIE



### OP- EN AFKLIMMEN:

Wees zeer voorzichtig bij het op- en afklimmen van de trampoline. KLIM NIET op de trampoline door het randkussen vast te pakken, op de veren te stappen of op de trampolinemat te springen vanaf een ander object (bijv. een veranda, dak of ladder). Dit is zeer gevaarlijk. STAP NIET van de trampoline af door er vanaf te springen en op de grond neer te komen. Kleine kinderen die op de trampoline spelen hebben mogelijk hulp nodig bij het op- en afklimmen.



### GEBRUIK VAN ALCOHOL OF DRUGS:

Drink GEEN alcohol en gebruik geen drugs (of geneesmiddelen die het coördinatievermogen van de gebruiker kunnen beïnvloeden) wanneer u deze trampoline gebruikt. Dit is zeer gevaarlijk aangezien deze middelen een nadelig effect hebben op uw inschattingsvermogen, reactiesnelheid en algehele fysieke coördinatie.



### MEERDERE GEBRUIKERS:

Laat nooit meer dan 1 persoon tegelijk op de trampoline.

### IN AANRAKING KOMEN MET FRAME:

BLIJF in het midden van de trampolinemat wanneer u op het toestel springt. Hierdoor verlaagt u het risico op letsel doordat u op het frame terecht komt. Zorg ervoor dat de randkussens het trampolineframe altijd bedekken. Spring of stap NIET rechtstreeks op het randkussen. Dit is niet geschikt om het gewicht van een persoon te dragen.



### CONTROLEVERLIES:

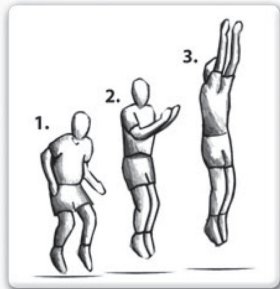
Probeer GEEN moeilijke bewegingen totdat u de grondbeginselen onder de knie hebt. Als u zich niet aan deze richtlijnen houdt, vergroot u de kans dat iemand gewond raakt.

**WAARSCHUWING: neem elke 10 minuten even pauze.**

## 3.0 TRAMPOLINETECHNIEKEN

### BASISVAARDIGHEDEN

#### BASISVAARDIGHEID 1: de basissprong



- Ga rechtop staan met de voeten op schouderbreedte uit elkaar en de ogen op de springmat gericht.
- Zwaai de armen naar voren / omhoog boven het hoofd in cirkelvorm. beweging up above head in a circular motion.
- Breng uw benen en voeten bij elkaar in de 'luchtpositie' en richt uw tenen naar beneden.
- Kom weer op de mat neer met de voeten op schouderbreedte uit elkaar (zoals de startpositie).
- Ga pas door met de volgende oefening als u vertrouwd bent met deze beweging en deze goed uitvoeren.

#### BASISVAARDIGHEID 2: de kniesprong

- Begin met de lage basissprong (zoals bij BASISVAARDIGHEID 1).
- Land op de knieën (houd deze op schouderbreedte uit elkaar), terwijl u de rug recht houdt, lichaam gespannen en armen gestrekt naar voren of opzij voor balans.
- Spring terug naar de basissprong door de vaart van de vering te gebruiken en de armen omhoog te gooien.
- Wanneer dit goed lukt op deze hoogte kunt u proberen iets hoger te springen. Vergeet echter niet de hoogte altijd onder controle te houden.



#### BASISVAARDIGHEID 3: de zitsprong



- Begin met een lage basissprong (BASISVAARDIGHEID 1) in de normale positie.
- Land met uw benen recht voor u uit gestrekt, de handen aan weerszijden van u heupen, de rug recht en het lichaam gespannen.
- Gebruik de vaart van de vering samen met een duw van de handen om terug te keren in een rechtstandige positie.
- Als dit goed lukt op deze hoogte, kunt u proberen iets hoger te springen. Vergeet echter niet de hoogte te controleren.

**BELANGRIJK: Raadpleeg een getrainde trampoline-instructeur voordat u moeilijkere oefeningen gaat proberen om er zeker van te zijn dat de veiligheid zoveel mogelijk wordt gewaarborgd.**

## 4.0 ALGEMENE INFORMATIE

- Zelfvergrendelende moeren en schroeven zijn alleen geschikt voor eenmalige opstelling en dienen na het afbreken van de trampoline en/of het veiligheidsnet te worden vervangen.
- We adviseren om de trampoline op een plat en vlak oppervlak te plaatsen met minimaal 2 m afstand tot andere bovenbouw of barrières, bijv. hek, garage, huis, boomtakken, waslijnen of elektriciteitskabels.
- Vervang defecte onderdelen volgens de aanwijzingen van de leverancier.
- Aanpassingen aan de trampoline (bijv. toevoeging van een accessoire) dient te geschieden volgens de aanwijzingen van de leverancier.

## 5.0 MONTAGE VAN DE TRAMPOLINE

### STAP VOOR STAP OPBOUW

**Mag uitsluitend worden gemonteerd door volwassenen.**

**Voor het monteren van deze trampoline** hebt u alleen onze speciale verenspanner nodig die wordt meegeleverd met dit product. Tijdens perioden waarin de trampoline niet wordt gebruikt kan deze trampoline gemakkelijk worden gedemonteerd en opgeslagen. **Lees de montage-instructies voordat u begint met het monteren van het product.**

Raadpleeg de tabel voor de beschrijving en nummering van onderdelen. In de montage-instructie wordt naar deze beschrijvingen en nummers verwezen.

Controleer of u alle aangegeven onderdelen hebt. Neem contact op met het verkooppunt als u onderdelen mist.

**Gebruik handschoenen om uw handen tijdens montage te beschermen tegen beknelling. Als u klaar bent om te beginnen, dient u ervoor te zorgen dat u genoeg ruimte hebt en dat deze ruimte droog en schoon is.**



## 6.0 ZORG EN ONDERHOUD

Deze trampoline is ontworpen en vervaardigd met kwaliteitsmaterialen en vakmanschap. Bij de juiste zorg en het juiste onderhoud zullen alle gebruikers hier jarenlang met veel plezier op kunnen springen en zal ook het risico op letsel worden verlaagd. Volg de onderstaande richtlijnen:

Deze trampoline is ontworpen om een bepaalde hoeveelheid gewicht en gebruik aan te kunnen. Zorg ervoor dat slechts één persoon tegelijk de trampoline gebruikt. Springers dienen sokken / turnschoenen te dragen of blootsvoets te zijn wanneer zij de trampoline gebruiken. Let er op dat schoenen voor op straat of tennisschoenen NIET mogen worden gedragen tijdens het gebruik van de trampoline. Om te voorkomen dat de trampolinemat gescheurd of beschadigd raakt zijn huisdieren op de mat niet toegestaan. Springers dienen tevens alle scherpe voorwerpen af te doen voordat ze de trampoline gebruiken. Alle scherpe of gepunte voorwerpen dienen van de trampolinemat te worden gehouden.

### Onderhoudsinstructies

Het is vooral belangrijk om de volgende onderhoudsinstructies op te volgen aan het begin van elk seizoen en periodiek tijdens het gebruikseizoen.

- U dient te controleren of alle moeren en bouten nog goed vast zitten; draai ze indien nodig aan.
- U dient te controleren dat alle veergeladen aansluitingen (vergrendelingspen) onbeschadigd zijn en niet bewegen tijdens het gebruik van de trampoline.
- U dient de afdekschroeven en scherpe randen te controleren en indien nodig te vervangen.
- Bewaar de onderhoudshandleiding voor later gebruik.

Inspecteer de trampoline altijd vóór gebruik op versleten, verkeerd gebruikte of ontbrekende onderdelen. Door een aantal omstandigheden kan uw kans op letsel toenemen. Pas op met:

- Doorboringen, gaten of scheuren in de trampolinemat
- Een doorzakkende trampolinemat
- Loszittend stiksels of elke vorm van slijtage van de mat
- Gebogen of gebroken frame-onderdelen, zoals de poten
- Gebroken, ontbrekende of beschadigde veren
- Een beschadigd, ontbrekend of niet goed bevestigd framekussen
- Uitsteeksels (met name als ze scherp zijn) op het frame, de veren of de mat

**ALS U EEN VAN DE BOVENSTAANDE PUNTEN OF IETS ANDERS DAT VOLGENS U LETSEL BIJ EEN GEBRUIKER KAN VEROORZAKEN OPMERKT, DIENT DE TRAMPOLINE TE WORDEN GEDEMONTEERD OF TEGEN GEBRUIK TE WORDEN BEVEILIGD TOTDAT DE KWESTIE IS VERHOLPEN.**

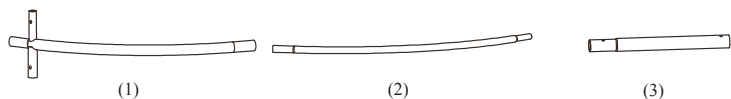
### DE TRAMPOLINE VERPLAATSEN

Als u de trampoline moet verplaatsen, zijn hiervoor twee mensen nodig. Alle verbindingpunten dienen stevig te worden omwikkeld met weersbestendige tape, zoals duct tape. Hierdoor blijft het frame tijdens de verplaatsing heel en wordt voorkomen dat de verbindingpunten van hun plaats raken en van elkaar worden gescheiden. Licht de trampoline bij het verplaatsen enigszins van de grond en houdt deze horizontaal ten opzichte van de grond. Voor elke andere soort verplaatsing dient u de trampoline te demonteren.

### ONDERDELENLIJST TRAMPOLINE

Ond. Nr.	Omschrijving	#
1	Frame	6
2	Rail	6
3	Poot	6
4	Mat met net	1
5	Randkussen	1
6	Elastiek met bal	32
7	Rechte buis	6
8	Plastic drager	6
9	Schuimdeel 1 (490mm)	6
10	Schuimdeel 2 (510mm)	6
11	Schuimdeel 3 (570mm)	6
12	Zelftappende schroef	20
13	Paaldop	6

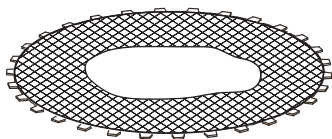
Bijgevoegd zijn de actuele specificaties en producteigenschappen op het moment van printen. De apparatuur, beschikbaarheid, specificaties en eigenschappen kunnen echter zonder aankondiging veranderen.



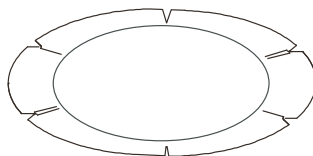
(1)

(2)

(3)



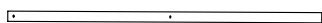
(4)



(5)



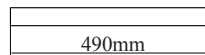
(6)



(7)

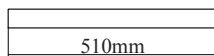


(8)



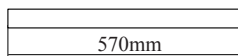
490mm

(9)



510mm

(10)



570mm

(11)



(12)



(13)



Tools

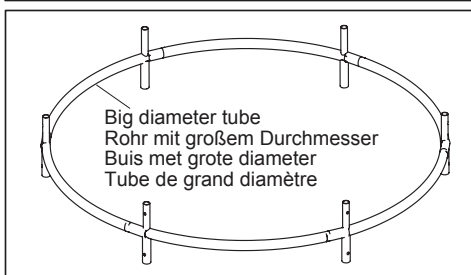
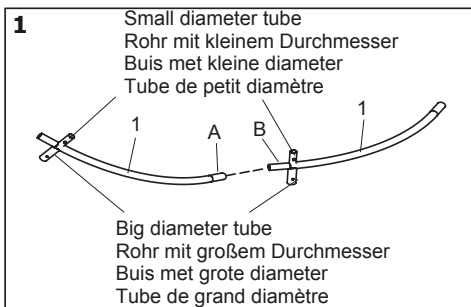
### STAP 1

Leg twee frames (1) op de grond in de afgebeelde posities.

Steek één eind A van het frame (1) in eind B van het andere frame (1).

Herhaal deze stap tot de zes framedelen met elkaar zijn verbonden, zoals is afgebeeld.

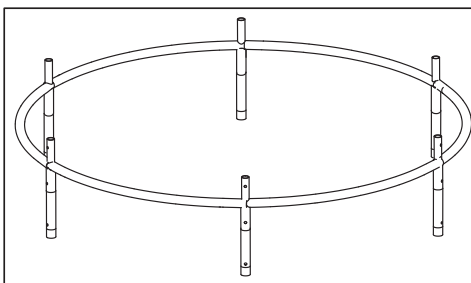
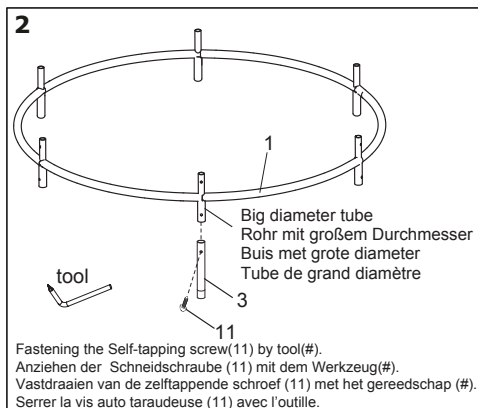
**Opmerking: Zorg ervoor dat het frame wordt omgedraaid, zodat de buis met grote diameter naar de grond is gericht.**



### STAP 2

Steek poot (3) in de buis met grote diameter van het frame (1), draai vervolgens vast met een zelftappende schroef (11) met het gereedschap.

Herhaal deze stap om de resterende poten (3) op dezelfde manier aan het frame (1) te monteren.



### STAP 3

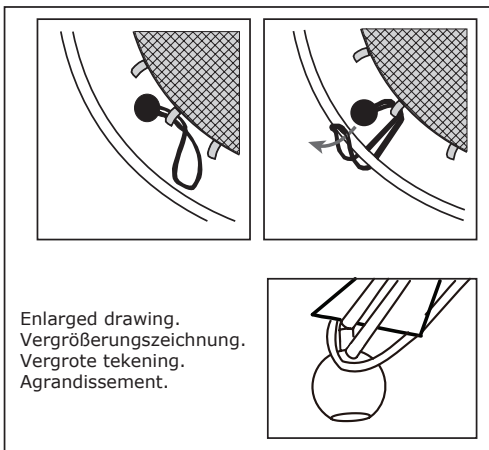
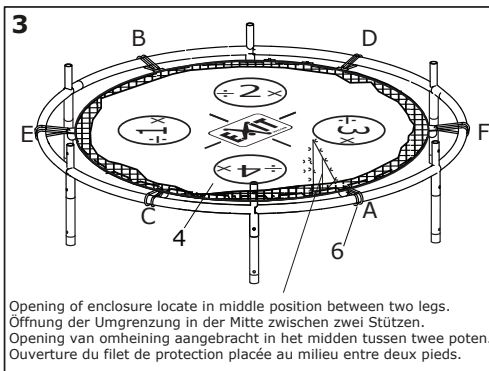
Richt eerst de opening van de omheining uit om het midden tussen de twee poten te bepalen, zoals is afgebeeld.

Bevestig vervolgens de mat via het net (4) aan het frame met een elastiek met bal (6) zoals afgebeeld in de vergrote tekening in de volgorde A-B-C-D-E-F. Elk elastiek met bal (6) wordt ook aangebracht in het midden tussen twee poten.

Bevestig alle resterende elastieken met ballen (6) op dezelfde wijze aan de betreffende plaats aan het frame.

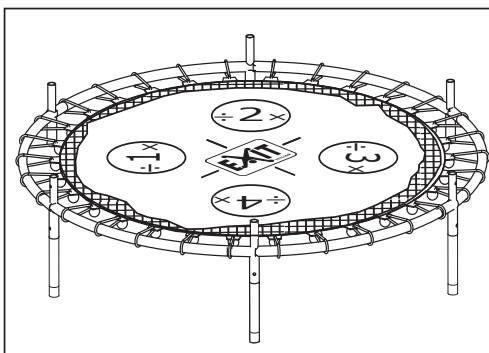
#### Opmerking:

Als de mat zich niet in het midden van het frame bevindt, maak dan even tijd om het aan te passen door aan het elastiek met bal (6) te trekken.



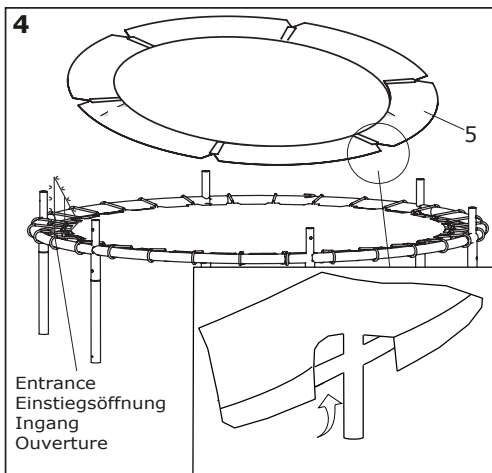
#### Opmerking:

**Alle elastieken met ballen (6) moeten zijn aangebracht aan de onderkant, zoals is afgebeeld.**



### STAP 4

Leg het kussen (5) op het frame. Pas de plaats van het kussen aan, zodat de sleuven zich direct boven de poten bevinden, zoals is afgebeeld.



### STAP 5

Leg een rechte buis (7) op de grond.

#### 5.1

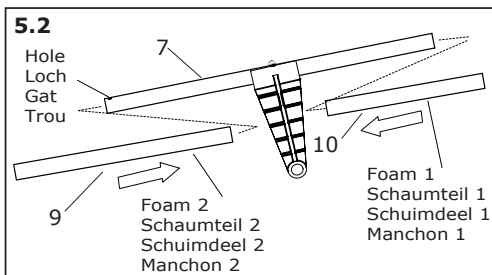
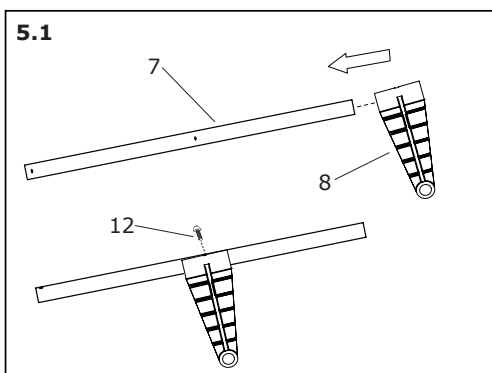
Schuif een plastic drager (8) over de rechte buis (7). Draai het vast met een zelftappende schroef (12) met een gereedschap.

#### 5.2

Trek Schuimdeel 1 490mm (9) over de rechte buis (7) vanaf de kant waar een gat in de buis zit.

Trek Schuimdeel 2 510mm (10) over de rechte buis (7).

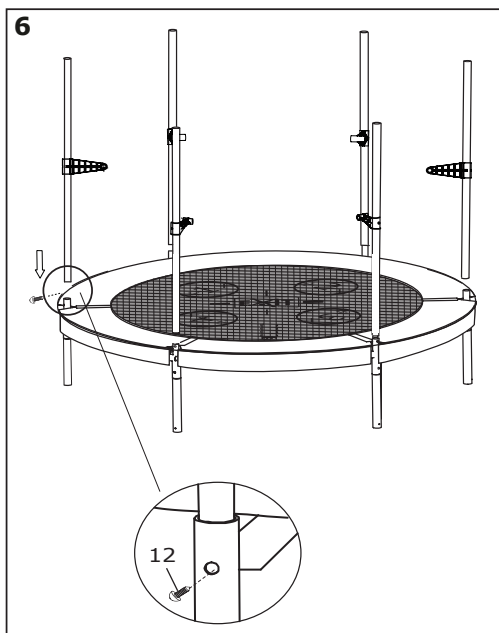
Herhaal deze stap om de resterende schuimdelen en plastic dragers te monteren.



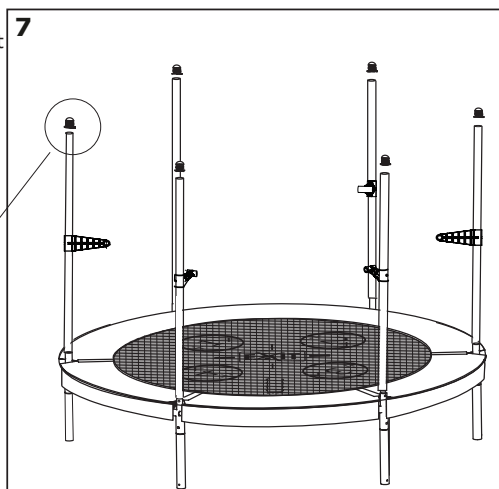
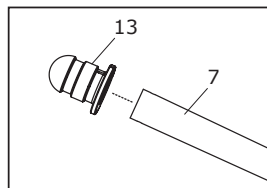
**STAP 6**

Steek de rechte buis (7) in het frame (1). Zorg ervoor dat de gaten in de rechte buis (7) en die in het frame (1) zich op dezelfde plaats bevinden.

Draai het vervolgens vast met een zelftappende schroef (12) met een gereedschap. Herhaal deze stap om de resterende rechte buizen te monteren.

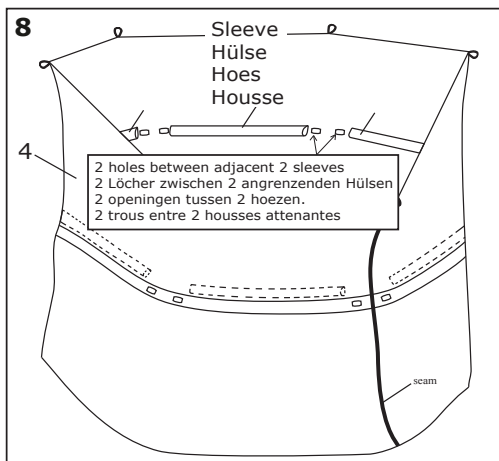
**STAP 7**

Plaats de paalafdekking (13) op de bovenkant van de rechte buis (7).



### STAP 8

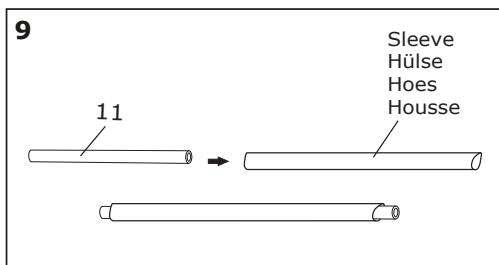
Vouw het net (4) uit elkaar en vouw de aan de binnenkant van het net ingenaaide hoes naar buiten; er zijn zes hoezen. Let op, er bevinden zich twee gaten tussen de aangrenzende twee hoezen.



### STAP 9

Schuif Schuimdeel 3 570mm (11) in de hoes aan de binnenkant van het net.

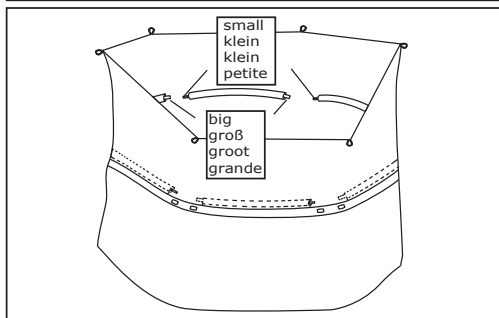
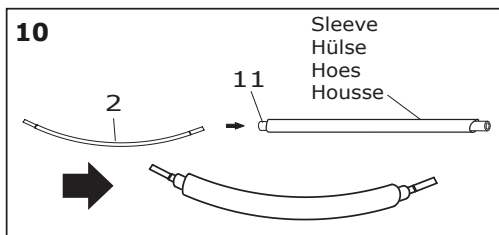
Herhaal deze stap tot alle zes rails in de hoezen zijn geschoven.



### STAP 10

Steek de rail (2) in Schuimdeel 3 570mm (11) aangebracht in de hoes, zoals is afgebeeld.

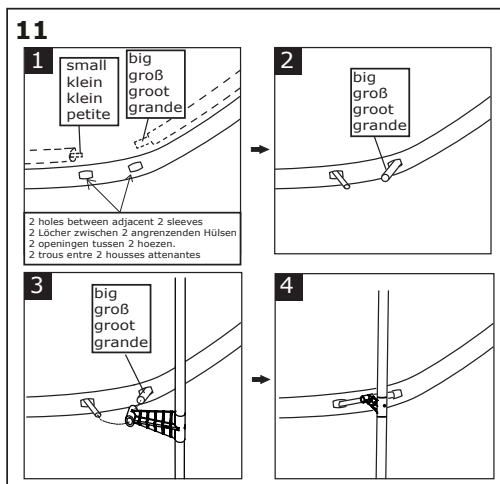
Herhaal deze stap tot alle zes rails in de hoes zijn gestoken.



**STAP 11**

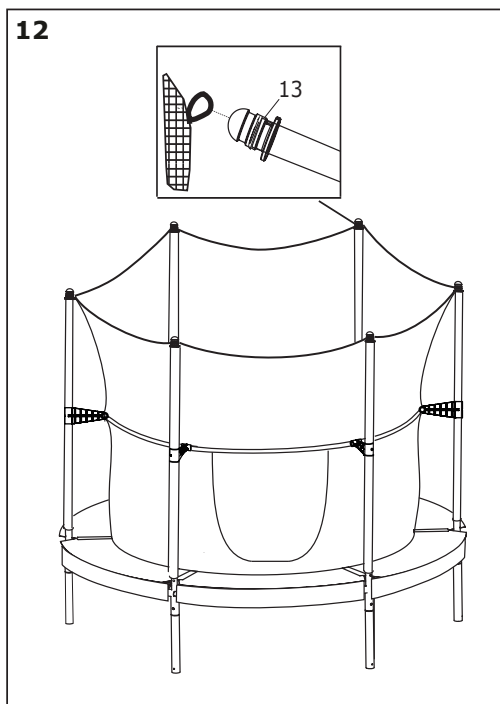
Haal de grote en kleine kop van de aangrenzende rails (2) uit de netgaten, zoals is afgebeeld. Steek vervolgens de grote kop in de plastic drager (8) en steek daarna de kleine kop in de grote kop, zoals is afgebeeld.

Herhaal deze stap om de rest van de rails te monteren.

**STAP 12**

Steek de paalafdekking (13) door een bevestigingslus aan de bovenkant van het net, zoals is afgebeeld.

Zorg ervoor dat alle onderdelen goed zijn bevestigd. Maak uzelf en alle gebruikers bekend met de trampoline en omheining, met de veiligheidsmaatregelen, gebruik en instructiematerialen, de verzorgings- en onderhoudsaanwijzingen in deze gebruiksaanwijzing voorafgaand aan het gebruik van de trampoline en omheining.



**Gefeliciteerd! De trampoline is nu volledig gemonteerd.**



## 7.0 Garantie

1. De eigenaar van de EXIT Bounzy Trampoline heeft na de datum van de aankoopnota:
  - 1 jaar garantie op het breken van het frame en op het springdoek.
  - 6 maanden garantie op de beschermrand.
  - 6 maanden garantie op het scheuren van het net
2. De garantie geldt uitsluitend voor materiaal- en constructiefouten ten aanzien van dit product of onderdelen daarvan.
3. De garantie vervalt als:
  - Dit product onjuist en/of onzorgvuldig gebruikt is en gebruikt wordt dat niet overeenkomstig bestemming is.
  - Dit product niet conform het instructieboekje geassembleerd en onderhouden is.
  - Technische reparaties aan dit product niet op vakkundige wijze verricht zijn.
  - Naderhand gemonteerde onderdelen niet overeenkomen met de technische specificaties van het betreffende product, of onjuist gemonteerd zijn.
  - Gebreken als gevolg van klimatologische invloeden, zoals roest, UV-straling of normale verwerking.
  - Het product wordt gebruikt voor verhuur of op andere wijze aan meerdere ongespecificeerde personen ter beschikking staat.
4. Gedurende de garantieperiode zullen alle door EXIT Toys vastgestelde materiaal- of constructiefouten ter keuze van EXIT Toys worden gerepareerd, danwel worden vervangen.
5. De eigenaar van de EXIT Trampoline kan slechts aanspraak maken op de garantie door het product ter inspectie aan te bieden bij een EXIT Toys dealer. Hierbij dient de originele aankoopnota aan de EXIT Toys dealer te worden overhandigd.
6. In geval van door EXIT Toys vastgestelde materiaal- of constructiefouten, zal het product of zullen onderdelen daarvan gedurende de in artikel 1 genoemde garantieperiode ter keuze van EXIT Toys gratis worden gerepareerd, danwel gratis worden vervangen.
7. Indien de garantieaanvraag niet terecht is, zijn alle gemaakte kosten voor rekening van de eigenaar.
8. De garantie is niet overdraagbaar aan derden.
9. Het is niet toegestaan de trampoline te verhuren of te plaatsen op openbare plaatsen zoals scholen en kinderdagverblijven. Bij verhuur of gebruik op openbare plaatsen vervalt iedere garantie of vervallen andere aansprakelijkheden.

## 1.0 Введение

Поздравляем вас с выбором батута EXIT Bounzy!

### **Веселые активные игры на открытом воздухе. ....**

Этим принципом мы руководствуемся, разрабатывая инновационные качественные развлечения для современных детей.

Нашей главной заботой является безопасность наших изделий для детей. Так как наши изделия классифицируются как игровые, мы очень серьезно относимся к соблюдению требований техники безопасности. Перед выпуском изделий в продажу мы проводим независимые испытания по их сертификации. Мы постоянно проверяем каждую партию изделий и для большей надежности периодически проводим независимые испытания. Только изделия, соответствующие самому высокому стандарту качества EXIT Toys, выпускаются под торговой маркой EXIT.

«Благодарим вас за покупку и оказанное доверие. Мы уверены, что ваши дети получают не меньше положительных эмоций, чем мы в процессе разработки этого изделия. Мы открыты для отзывов и предложений и будем признательны за любые комментарии и идеи, которые помогут нам усовершенствовать существующие или разработать новые изделия. Мы ждем ваши идеи по адресу [info@exittoys.com](mailto:info@exittoys.com)»

Посетите [www.exittoys.com](http://www.exittoys.com) и откройте для себя мир увлекательных развлечений.

Команда EXIT Toys

## 2.0 Рекомендации по безопасному использованию

Данное изделие не является опасным, если использовать его в соответствии с инструкциями, приведенными в настоящем руководстве. Однако учитывайте, что дети испытывают природную потребность в игре, и это может привести к непредсказуемым опасным ситуациям, за которые производитель не может нести ответственность. Научите детей правильному обращению с данным изделием и сообщите о возможной опасности.

**Перед сборкой и использованием изделия внимательно ознакомьтесь с основными мерами предосторожности:**



### ВНИМАНИЕ!

Во избежание серьезных травм:



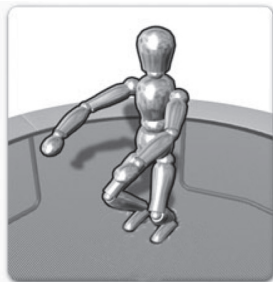
- Перед использованием внимательно прочитайте настоящее руководство.
- ВНИМАНИЕ: Только для личного использования
- ВНИМАНИЕ: ОПАСНОСТЬ УДУШЕНИЯ! - мелкие детали. Для детей старше трех лет.
- Защита детей
  - Не допускайте падения и удушения
  - Необходимо выходить только через специально предназначенный выход и соблюдать все меры предосторожности.
  - Помогайте маленьким детям проходить через сетку безопасности.
- ВНИМАНИЕ: Не допускается одновременное использование несколькими людьми; опасность столкновения!
- ВНИМАНИЕ: Не выполняйте сальто или другие сложные прыжки!
- ВНИМАНИЕ: Перед использованием батута выложите все из карманов!
- Требуется постоянный контроль со стороны взрослых.
- Не используйте батут, если он намок
- Перед использованием батут должны собрать взрослые
- В случае потери или поломки деталей обратитесь за помощью к продавцу.
- Мы не несем ответственность за любые травмы, полученные при использовании батута
- Максимальный вес пользователя: 30 кг
- Возраст: 3 - 7 лет

## 2.1 Меры предосторожности:

- **ПЕРЕД ИСПОЛЬЗОВАНИЕМ БАТУТА:** Перед использованием внимательно прочитайте настоящее руководство. Как и во время любых занятий спортом и подвижных игр, при использовании батута существует риск получения травм. Для того чтобы покупка приносила радость и во избежание травм убедитесь, что соблюдены соответствующие правила техники безопасности.
- Руководство пользователя необходимо хранить.
- Перед использованием всегда закрывайте проход сетки безопасности.
- **ПЕРЕД ВЫПОЛНЕНИЕМ ЛЮБЫХ ФИЗИЧЕСКИХ УПРАЖНЕНИЙ ВСЕГДА КОНСУЛЬТИРУЙТЕСЬ С ВРАЧОМ/МЕДИКОМ.**
- **ВСЕГДА ПРОВЕРЯЙТЕ БАТУТ ПЕРЕД ИСПОЛЬЗОВАНИЕМ, УДЕЛЯЯ ОСОБОЕ ВНИМАНИЕ ПОЛОЖЕНИЮ ВСЕХ БОЛТОВ, ПРЫЖКОВОГО ПОЛОТНА И ЗАЩИТНОГО КОЖУХА. НЕ ИСПОЛЬЗУЙТЕ БАТУТ ПРИ ОТСУТСТВИИ ИЛИ ПРИЗНАКАХ ИЗНОСА ДЕТАЛЕЙ.**
- **ВСЕГДА СЛЕДИТЕ ЗА ТЕМ, ЧТОБЫ БАТУТ ИСПОЛЬЗОВАЛСЯ ОДНОВРЕМЕННО ТОЛЬКО ОДНИМ ЧЕЛОВЕКОМ.**
- **НЕ ОСТАВЛЯЙТЕ ДЕТЕЙ НА БАТУТЕ БЕЗ ПРИСМОТРА НЕЗАВИСИМО ОТ УРОВНЯ ИХ ПОДГОТОВКИ.**
- Немедленно прекратите выполнение упражнений, если вы почувствовали себя плохо или ощутили боль в суставах и мышцах. Головокружение является признаком усталости, поэтому если вы почувствовали головокружение, прекратите прыгать и спуститесь с батута.
- Для прыжков на батуте используйте подходящую одежду, предпочтение отдается спортивной одежде и носкам. **ЗАПРЕЩАЕТСЯ НАХОДИТЬСЯ НА МАТЕ В ОБУВИ.**
- Помните, что основу батута составляют пружины, что позволяет подпрыгивать на большую высоту, чем с земли, это следует учесть и сначала потренироваться выполнять прыжки на небольшую высоту.
- В настоящем руководстве вы найдете рекомендации по сборке, ремонту изделия и уходу за ним, а также правила техники безопасности, меры предосторожности и техники выполнения прыжков на батуте, обеспечивающие вашу безопасность и продлевающие срок эксплуатации изделия. Поэтому всем пользователям и наблюдателям рекомендуется ознакомиться с настоящим руководством. Каждый пользователь батута обязан предварительно убедиться, что ему можно выполнять те или иные трюки на нем.
- Батут необходимо собирать на траве или на специальных ковриках, соответствующих стандартам BSI (Британского института стандартов).
- Данное изделие предназначено только для личного использования.
- Перемещение батута. Если батут с сеткой безопасности необходимо перенести, это должны делать два человека, немного приподняв батут и держа его в горизонтальном положении. Перед перемещением можно снять сетку безопасности. Для этого следуйте инструкциям по сборке, выполняя их в обратном порядке.

## 2.2 Использование батута

Для НАЧАЛА вы должны привыкнуть к батуту и понять, насколько он пружинит при тех или иных прыжках. Ключевым на данном этапе является положение тела и отработка техники, пока вы не научитесь с легкостью контролировать выполнение каждого трюка.



- ПЕРЕД ЧЕМ ПОПЫТАТЬСЯ ВЫПОЛНИТЬ ВЫСОКИЕ ПРЫЖКИ, изучите технику остановки, так как это поможет избежать травм, если вы почувствуете, что не контролируете процесс выполнения прыжков.
- При приземлении на прыжковое полотно колени должны быть согнуты таким образом, чтобы амортизировать и погасить энергию прыжка на мате. Положение показано на рисунке слева. Приподнятые руки помогают лучше держать равновесие.
- Данная техника используется для прекращения выполнения прыжков на батуте, если вы почувствовали усталость, потеряли контроль и т.п.



**САЛЬТО (КУВЫРКИ ЧЕРЕЗ СЕБЯ): НЕ ВЫПОЛНЯЙТЕ сальто (назад или вперед) на данном батуте!** Если вы допустите ошибку при попытке выполнить сальто, вы можете приземлиться на голову или шею. Так можно получить перелом шеи или позвоночника, что может привести к смерти или параличу.



**ПОСТОРОННИЕ ПРЕДМЕТЫ: НЕ используйте батут, если под ним находятся домашние животные, люди или предметы!** Это повысит риск получения травм. НЕ держите в руках посторонние предметы и НЕ размещайте предметы на батуте во время его использования. НЕ размещайте батут под нависающими предметами, такими, как ветки деревьев, провода и т.п., поскольку это увеличивает вероятность травм.

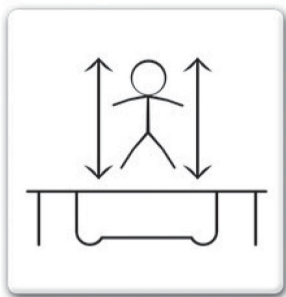


**НЕБРЕЖНОЕ ОБРАЩЕНИЕ С БАТУТОМ:** При использовании батута в плохом состоянии вероятность травмирования повышается. Осматривайте батут перед каждым использованием на предмет того, не погнулись ли стальные трубки, не разорвался ли мат, не ослабились ли стальные трубки, не сломались ли пружины, также проверяйте, устойчиво ли стоит батут.



**ОГРАНИЧЕНИЕ ДОСТУПА:** Если батут не используется, всегда убирайте приставную лестницу в надежное место, чтобы дети не смогли играть на батуте без присмотра.

### 2.3 Как избежать несчастных случаев



Для того чтобы свести к минимуму вероятность несчастных случаев, **ПОЛЬЗОВАТЕЛЬ БАТУТА** должен:

- Всегда контролировать процесс выполнения прыжков и положение тела.
- Не пытаться выполнять трюки, которые пользователь делать не умеет.
- Внимательно изучить технику прекращения прыжков и приземления на середину батута.
- Всегда контролировать прыжки и при необходимости уметь прекращать их и приземляться на середину батута.
- Всегда подпрыгивать вертикально и стараться не приближаться к пружинам с любой стороны.
- Всегда консультироваться с профессиональным дипломированным инструктором по прыжкам на батуте перед началом выполнения любых сложных техник.

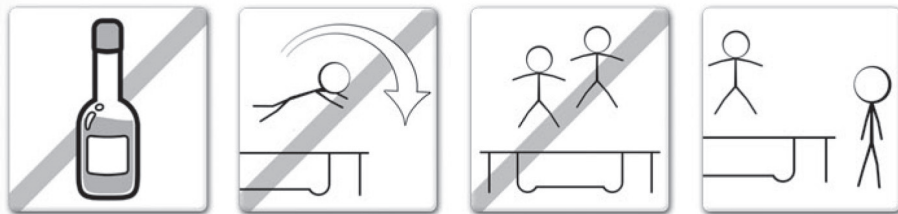
Для того чтобы свести к минимуму вероятность несчастных случаев, **НАБЛЮДАТЕЛЬ** должен:

- Хорошо понимать и соблюдать все правила и рекомендации по технике безопасности.
- Консультировать пользователя батута и сообщать ему о том, что он делает правильно, а что неправильно, для того чтобы обеспечить безопасность пользователя.
- Знать все меры предосторожности и информировать пользователя о них.

**ВАЖНО!** Если нельзя обеспечить наблюдение за батутом, нужно найти способ, как предотвратить его использование в то время, когда он находится без наблюдения.

## 2.4 Правила техники безопасности при использовании батута

### РЕКОМЕНДУЕМЫЕ МЕРЫ ПРЕДОСТОРОЖНОСТИ ПРИ ИСПОЛЬЗОВАНИИ БАТУТА



- Не используйте батут, если вы употребили алкоголь или наркотические средства.
- Взбираться на батут и сходить с него необходимо безопасным способом. Никогда не запрыгивайте на батут и не спрыгивайте с него, никогда не используйте батут как средство для запрыгивания на другие объекты.
- Перед попыткой выполнить более сложные прыжки сначала изучите основные прыжки и научитесь их выполнять. Чтобы узнать, как выполнять основные типы прыжков, прочитайте раздел «Основные трюки».
- Чтобы прекратить прыжок, согните колени при приземлении на стопы.
- При прыжках на батуте старайтесь всегда контролировать ситуацию. Контролируемый прыжок - это прыжок, при котором вы приземляетесь на то же место, откуда подпрыгнули. Если вы чувствуете, что ситуация вышла из-под контроля, немедленно прекратите прыжки.
- Не пытайтесь выполнять серию прыжков на большую высоту в течение длительного времени. Смотрите на мат, чтобы сохранить контроль. Если вы не будете смотреть на мат, вы можете потерять равновесие.
- Никогда не позволяйте прыгать на батуте сразу нескольким людям.

### РЕКОМЕНДУЕМЫЕ МЕРЫ ПРЕДОСТОРОЖНОСТИ ВО ВРЕМЯ НАБЛЮДЕНИЯ ЗА БАТУТОМ

**ВАЖНО!** Ознакомьтесь с основными прыжками и правилами техники безопасности. Для того чтобы предотвратить и свести к минимуму вероятность травмирования, обеспечьте соблюдение правил безопасности и убедитесь, что новые пользователи изучили основные прыжки перед выполнением техник повышенной сложности.

- **ВСЕ ПОЛЬЗОВАТЕЛИ** должны находиться под наблюдением, независимо от уровня подготовки и возраста.
- Никогда не используйте влажный, поврежденный, грязный или изношенный батут. Перед использованием необходимо осмотреть батут.
- Никогда не оставляйте вблизи батута предметы, которые могут помешать его использованию. Обращайте внимание на все, что находится над и под батутом или вокруг него.
- Батут должен храниться таким образом, чтобы исключить его несанкционированное или неконтролируемое использование.

## 2.5 Определение и классификация несчастных случаев



### ПОДЪЕМ И СПУСК:

Будьте осторожны, когда взбираетесь на батут и спускаетесь с него. При подъеме на батут НЕ захватывайте защитный кожух рамы, НЕ вставайте на пружины и НЕ запрыгивайте на прыжковое полотно батута с других объектов (например, с земли, крыши или лестницы). Это очень опасно. При спуске с батута НЕ спрыгивайте на землю. Маленьким детям при подъеме на батут и спуске с него может понадобиться ваша помощь



### УПОТРЕБЛЕНИЕ АЛКОГОЛЯ И НАРКОТИЧЕСКИХ ВЕЩЕСТВ:

НЕ употребляйте алкоголь или наркотические вещества (включая лекарственные препараты, которые могут повлиять на вашу координацию движений) при использовании батута. Это очень опасно, поскольку данные вещества влияют на принимаемые вами решения, сокращают время реакции и в целом ухудшают координацию.



### НЕСКОЛЬКО ПОЛЬЗОВАТЕЛЕЙ:

Не допускается одновременное использование несколькими людьми; опасность столкновения!

### УДАР О РАМУ БАТУТА:

При выполнении прыжков на батуте **ОСТАВАЙТЕСЬ** в центре мата. Это позволит свести к минимуму вероятность травмирования из-за приземления на раму батута. Следите за тем, чтобы защитный кожух всегда закрывал раму батута. НЕ прыгайте и НЕ наступайте на защитный кожух рамы, поскольку он не рассчитан на вес человека.



### ПОТЕРЯ КОНТРОЛЯ:

НЕ пытайтесь выполнять сложные трюки, пока не закрепите основные навыки. При несоблюдении данных рекомендаций повышается вероятность получения травм.

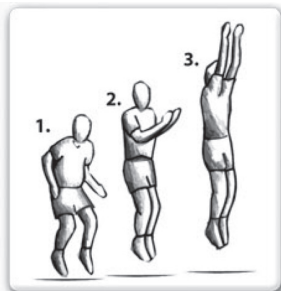
**ВНИМАНИЕ: Делайте перерывы каждые 10 минут.**



## 3.0 Техники выполнения прыжков на батуте

### Базовые техники

#### БАЗОВАЯ ТЕХНИКА 1: Основной прыжок



- Начните из положения стоя, стопы поставьте на ширине плеч, поднимите голову, смотрите на прыжковое полотно батута.
- Сделайте замах руками вперед и вверх, чтобы они оказались над головой.
- В прыжке соедините ноги и стопы вместе и вытяните носки.
- Приземляясь на мат, поставьте стопы на ширине плеч (как в исходном положении).
- Если данный элемент дается вам легко, можно переходить к изучению следующей техники.

#### БАЗОВАЯ ТЕХНИКА 2: Приземление на колени

- Начните с основного низкого прыжка (подробное описание см. в разделе «БАЗОВАЯ ТЕХНИКА 1»).
- Приземляйтесь на колени, расставленные на ширине плеч, удерживайте спину прямо и поддерживайте устойчивое положение тела с помощью рук, отведенных в стороны или вперед для поддержания равновесия.
- Вернитесь в исходное положение, используя инерцию прыжка и помогая себе руками, поднятыми над головой.
- Усвоив прыжки на данную высоту, можно пробовать прыгать немного выше, однако следует помнить, что всегда нужно контролировать высоту.



#### БАЗОВАЯ ТЕХНИКА 3: Прыжок с приземлением в положении "сидя"



- Начните с основного низкого прыжка (подробное описание см. в разделе «БАЗОВАЯ ТЕХНИКА 1») из исходного положения.
- Следите за тем, чтобы при приземлении ноги были вытянуты вперед, а руки - по бокам, держите спину прямой.
- Используйте инерцию прыжка, усиленную толчком рук, для возвращения в положение стоя.
- Усвоив прыжки на данную высоту, можно пробовать прыгать немного выше, однако следует помнить, что всегда нужно контролировать высоту.

**ВАЖНО! Проконсультируйтесь с квалифицированным инструктором по прыжкам на батуте перед выполнением трюков повышенной сложности, чтобы обеспечить максимальную безопасность выполнения упражнений.**

## 4.0 Общая информация

- Самостопорящиеся гайки и винты подходят только для одноразового использования, после разборки батута и (или) сетки безопасности их необходимо заменить на новые.
- Рекомендуется располагать батуты на плоской, ровной поверхности на расстоянии не менее 2 метров от других сооружений и конструкций, в том числе заборов, гаражей, домов, ветвей деревьев, бельевых веревок или электрических кабелей.
- Заменяйте неисправные элементы в соответствии с рекомендациями поставщика.
- Модификации батута (например, добавление элементов) должны производиться в соответствии с рекомендациями поставщика.

## 5.0 Сборка батута

### ПОЭТАПНАЯ СБОРКА

**Сборка должна производиться только взрослыми.**

Для сборки данного батута вам понадобится только инструмент для натяжения пружин, предоставляемый в комплекте с данным изделием. Если батут не используется, его можно легко разобрать для хранения. Перед началом сборки изделия прочитайте инструкцию по сборке.

Описание и номера деталей см. в таблице. Данное описание и номера приведены в инструкции для удобства использования.

Убедитесь, что у вас есть все указанные детали. Если у вас не хватает каких-либо деталей, обратитесь к продавцу изделия.

**Надевайте перчатки во избежание травмирования рук во время сборки. Перед началом сборки убедитесь, что для сборки вам достаточно места, и что место сборки чистое и сухое.**

## 6.0 УХОД И ОБСЛУЖИВАНИЕ

Данный батут произведен по технологии с использованием высококачественных материалов. При надлежащем уходе и обращении данный батут прослужит вам много лет с минимальным риском травмирования. Соблюдайте рекомендации, перечисленные ниже:

Данный батут рассчитан на определенный вес и способы использования. Следите за тем, чтобы на батуте всегда находился одновременно только один человек. Прыгать на батуте разрешается в носках, чешках либо босиком. Обратите внимание, что НЕЛЬЗЯ использовать батут в уличной обуви или кроссовках. Во избежание разрывов и повреждения мата не пускайте на мат животных. Также перед использованием батута прыгуны должны снимать с себя все острые предметы. Не допускайте контакта любых колюще-режущих предметов с батутом.

### Рекомендации по уходу

Особенно важно выполнять следующие рекомендации по уходу в начале каждого сезона и периодически в течение периода использования:

- Необходимо определить, все ли гайки и винты затянуты, при необходимости затянуть их;
- Необходимо проверить, нет ли повреждений на элементах крепления пружин (фиксаторах), они должны быть надежно закреплены во время использования;
- Необходимо проверить все выступающие винты и острые края и при необходимости произвести замену;
- Не выбрасывайте руководство пользователя

Всегда осматривайте батут перед каждым использованием на предмет износа, повреждений или недостающих деталей. Ниже приведены состояния батута, которые могут повлиять на вероятность травмирования. Обратите внимание на следующее:

- Проколы, отверстия или разрывы прыжкового полотна батута;
- Провисание прыжкового полотна батута;
- Распустившиеся швы или любые повреждения материала прыжкового полотна;
- Изогнутые или сломанные детали рамы, например, опорные стойки;
- Сломанные, утерянные или поврежденные пружины;
- Поврежденные, утерянные или непрочны закрепленные части защитного кожуха;
- Любые выступы (особенно острые) на раме, пружинах или прыжковом полотне;

**ЕСЛИ ВЫ ОБНАРУЖИЛИ ЛЮБОЕ ИЗ ВЫШЕУКАЗАННЫХ УСЛОВИЙ ИЛИ ЧТО-ЛИБО, ЧТО ПО ВАШЕМУ МНЕНИЮ МОЖЕТ НАНЕСТИ ВРЕД ПОЛЬЗОВАТЕЛЮ, НЕОБХОДИМО РАЗОБРАТЬ БАТУТ ИЛИ ПРЕДОТВРАТИТЬ ЕГО ИСПОЛЬЗОВАНИЕ ДО УСТРАНЕНИЯ СООТВЕТСТВУЮЩЕГО УСЛОВИЯ.**

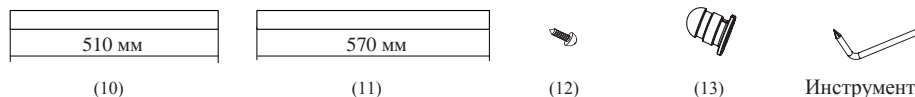
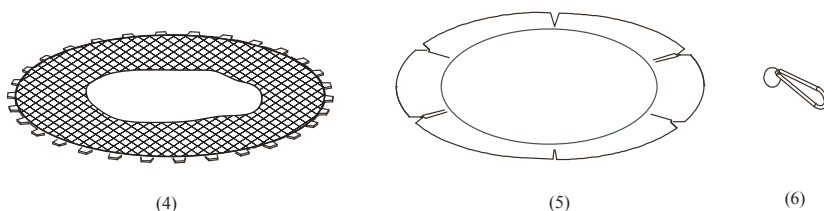
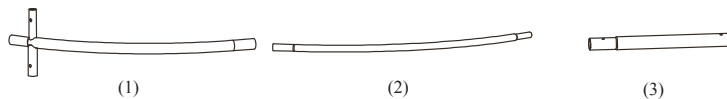
### ПЕРЕМЕЩЕНИЕ БАТУТА

Если вам необходимо перенести батут, обратитесь за помощью второго человека. Все места соединений должны быть защищены изоляционной или герметизирующей лентой. Это сохранит раму от повреждений во время перемещения и предотвратит смещение и разъединение в местах соединений. При перемещении приподнимите батут и удерживайте его в горизонтальном положении по отношению к земле. Если перемещение таким способом невозможно, разберите батут.

## Перечень деталей

№ детали	Описание	Кол-во
1	Сегмент рамы	6
2	Сегмент направляющей	6
3	Опорная ножка	6
4	Прыжковое полотно (мат) с сеткой	1
5	Подушка (защитный кожух)	1
6	Резинка с шариком	32
7	Прямая трубка	6
8	Пластмассовое крепление	6
9	Трубка из пеноматериала 1 (490 мм)	6
10	Трубка из пеноматериала 2 (510 мм)	6
11	Трубка из пеноматериала 3 (570 мм)	6
12	Шуруп-саморез	20
13	Колпачок	6

В данном руководстве указаны технические характеристики и комплектация изделия на момент печати, однако комплектация изделия, наличие отдельных частей и технические характеристики могут быть изменены без уведомления.



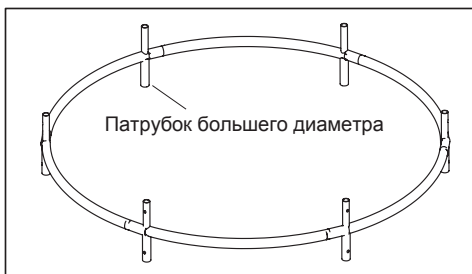
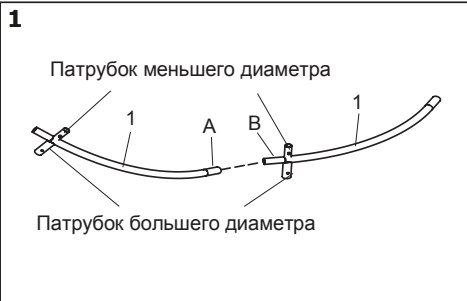
**ШАГ 1**

Положите два сегмента рамы (1) на пол, как показано на рисунке.

Вставьте конец А сегмента рамы (1) в конец В другого сегмента рамы (1).

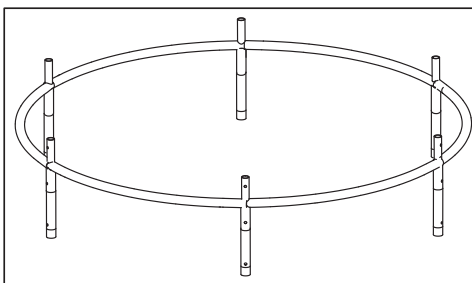
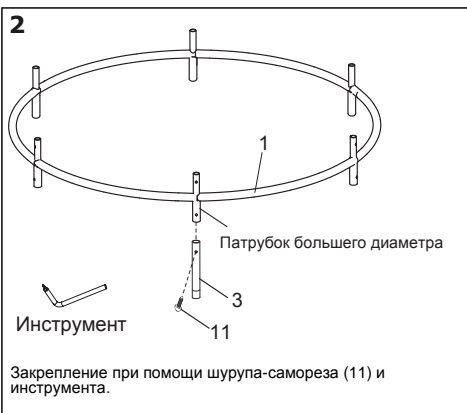
Повторите этот шаг, пока все шесть сегментов рамы не будут соединены, как показано на рисунке.

**Примечание:** Убедитесь, что рама располагается таким образом, что патрубки большего диаметра находятся внизу.

**ШАГ 2**

Вставьте опорную ножку (3) в патрубок большего диаметра сегмента рамы (1) и закрепите при помощи одного шурупа-самореза (12) и инструмента.

Повторите этот шаг, чтобы прикрепить к раме остальные опорные ножки (3).



**ШАГ 3**

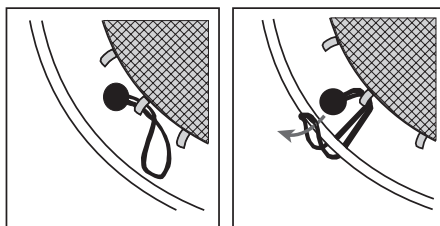
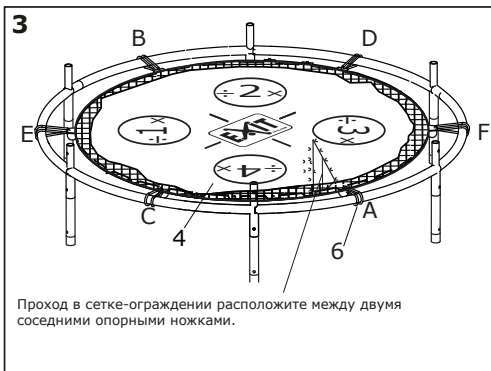
Расположите мат с сеткой (4) таким образом, чтобы проход в сетке-ограждении находился между двумя соседними опорными ножками.

Прикрепите сетку мата (4) к раме при помощи резинки с шариком (6), как показано на увеличенном рисунке. Прикрепляйте в порядке А-В-С-D-E-F. Каждая резинка с шариком (6) должна располагаться в середине между двумя соседними опорными ножками.

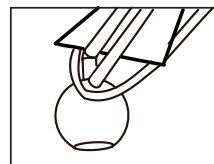
Установите все остальные резинки с шариком (6).

**Примечание:**

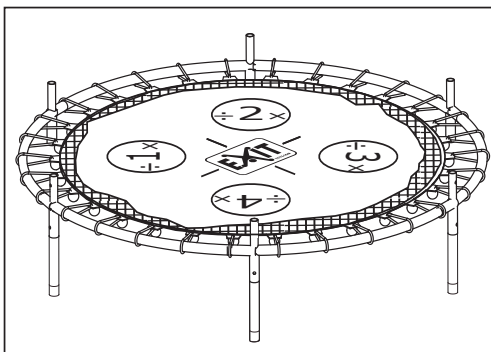
Если мат находится не в центре рамы, установите его в центр путем натягивания резинок с шариком (6).



Увеличенный рисунок.

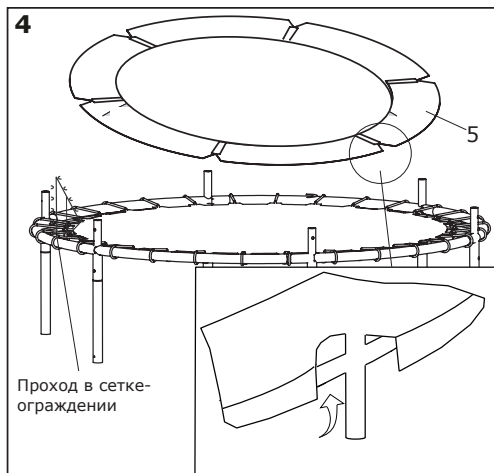
**Примечание:**

Все шарики резинок с шариком (6) должны располагаться внизу, как показано на рисунке.



**ШАГ 4**

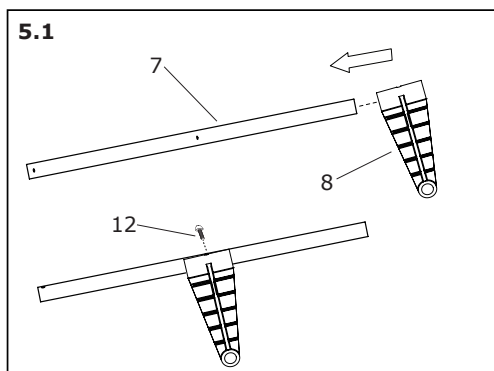
Положите подушку (5) на раму. Расположите подушку таким образом, чтобы разрезы в ней находились непосредственно над опорными ножками, как показано на рисунке.

**ШАГ 5**

Положите одну прямую трубку (7) на пол.

**5.1**

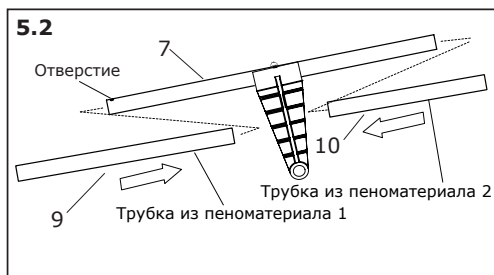
Наденьте пластмассовое крепление (8) на прямую трубку (7). Прикрепите при помощи одного шурупа-самореза (12) и инструмента.

**5.2**

Натяните на прямую трубку (7) трубку из пеноматериала 1 на 490 мм (9), с той стороны прямой трубки (7), в которой находится отверстие.

Натяните на прямую трубку (7) трубку из пеноматериала 2 на 510 мм (10).

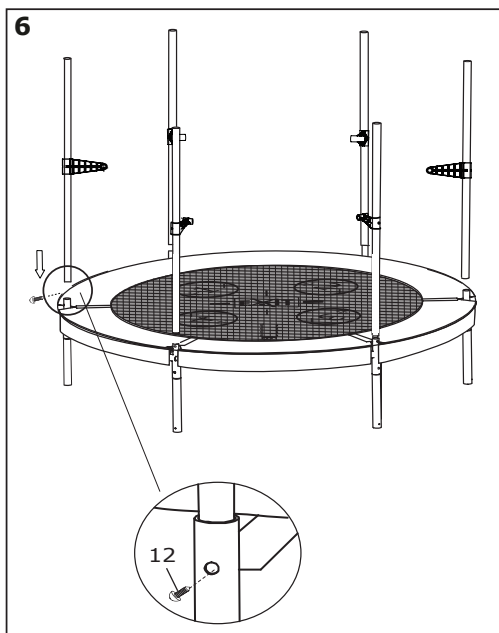
Повторите этот шаг с остальными прямыми трубками (7).



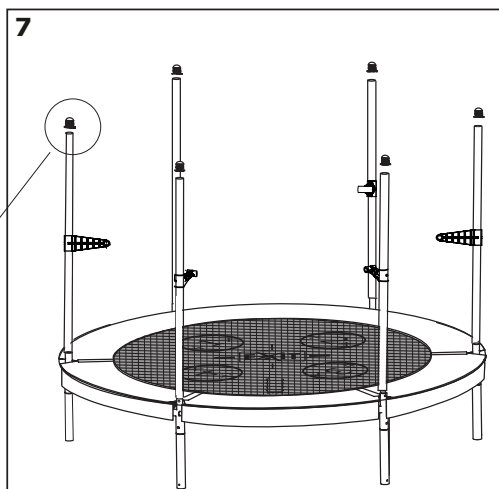
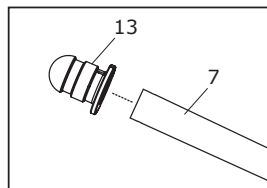
**ШАГ 6**

Вставьте прямую трубку (7) в патрубок секции рамы (1). Совместите отверстие в прямой трубке (7) с отверстием в секции рамы (1). Закрепите при помощи одного шурупа-самореза (12) и инструмента.

Повторите этот шаг, чтобы установить остальные прямые трубки (7).

**ШАГ 7**

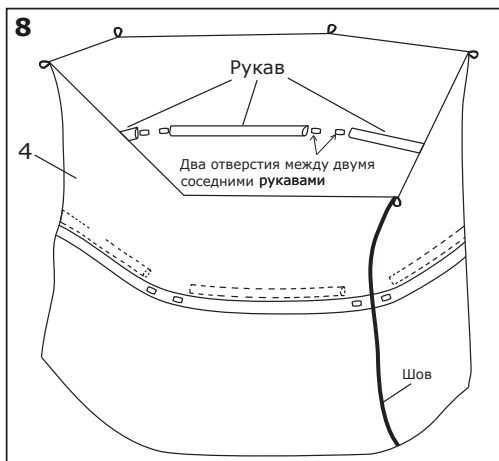
Наденьте колпачки (13) на верхний конец прямых трубок (7).





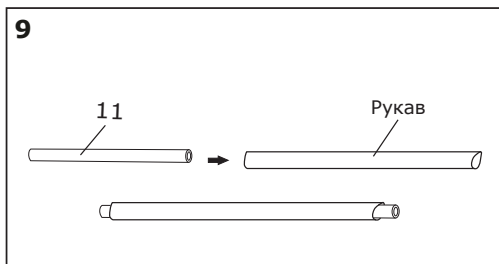
**ШАГ 8**

Разверните сетку (4) и пришитые к ней 6 рукавов. Обратите внимание, что в сетке между двумя соседними рукавами есть два отверстия.

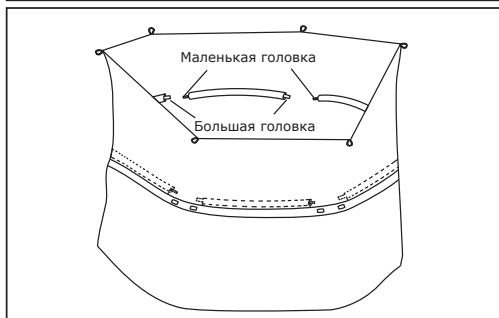
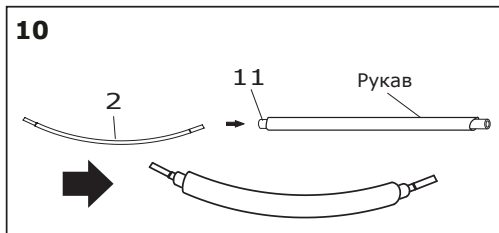
**ШАГ 9**

Вставьте трубку из пеноматериала 3 на 570 мм (11) в рукав сетки.

Повторите этот шаг, чтобы установить все шесть трубок из пеноматериала 3.

**ШАГ 10**

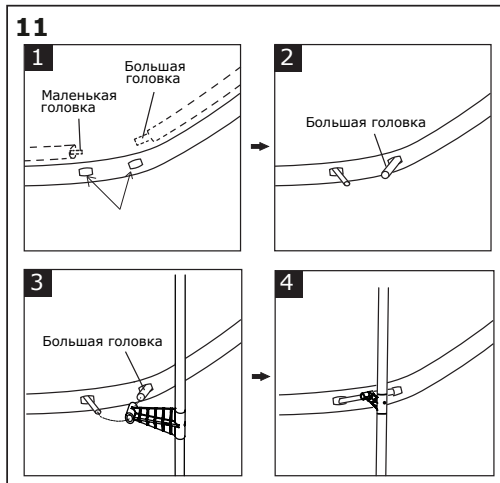
Вставьте секцию направляющей (2) в трубку из пеноматериала 3 на 570 мм (11), находящуюся внутри рукава, как показано на рисунке.



**ШАГ 11**

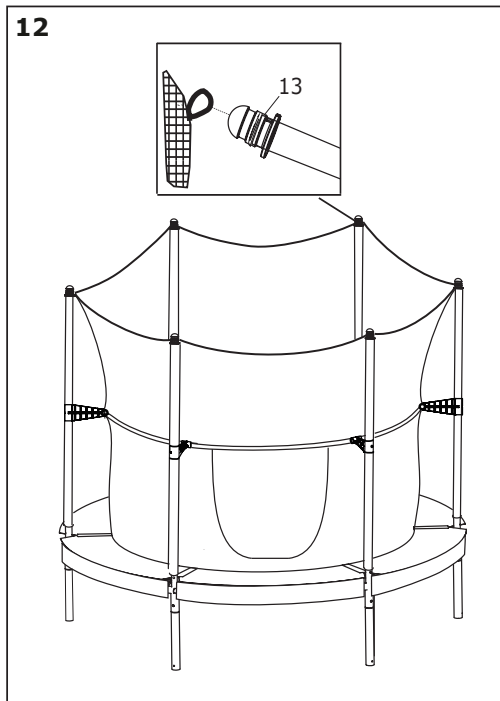
Вставьте большую и маленькую головки соседних направляющих (2) в отверстия сетки, как показано на рисунке. Затем вставьте большую головку в пластмассовое крепление (8). И, наконец, вставьте маленькую головку в большую головку, как показано на рисунке.

Повторите этот шаг, чтобы установить остальные секции направляющей.

**ШАГ 12**

Вставьте колпачки (13) в петельки сверху сетки, как показано на рисунке.

Убедитесь, что все части батута надежно закреплены. Перед использованием ознакомьтесь сами и ознакомьте всех пользователей с батутом и сеткой-ограждением, с правилами техники безопасности и инструкциями по использованию, уходу и обслуживанию в этом руководстве.



**Поздравляем! Ваш батут теперь полностью собран.**

## 7.0 Гарантия

1. *С даты чека на покупку владелец батута EXIT Bounzy получает:*
  - 1-летнюю гарантию на раму и прыжковое полотно;
  - 6-месячную гарантию на защитный кожух.
  - 6-месячную гарантию на износ сетки
2. *Гарантия распространяется только на дефекты материалов и конструкции данного изделия или его компонентов.*
3. *Гарантия аннулируется, если:*
  - *Данное изделие используется неправильно, небрежно или не по назначению.*
  - *Сборка и обслуживание данного изделия производятся не в соответствии с инструкцией по эксплуатации.*
  - *Ремонт данного изделия выполнялся неспециалистами.*
  - *Устанавливаемые впоследствии детали не соответствуют техническим нормативам, установленным для указанного изделия, или устанавливаются ненадлежащим образом.*
  - *Дефекты являются результатом климатического воздействия, например, коррозии, ультрафиолетового излучения, или естественного разрушения материала.*
  - *Изделие сдавалось в аренду или предоставлялось неопределенному широкому кругу лиц.*
4. *EXIT Toys отремонтирует или заменит по своему усмотрению все дефектные материалы и конструкции, подтвержденные EXIT Toys во время гарантийного периода.*
5. *Только владелец батута EXIT имеет право на гарантию, представив изделие для осмотра дилеру EXIT Toys. Изделие должно быть передано дилеру EXIT Toys вместе с оригиналом чека на покупку.*
6. *В случае обнаружения дефектов материалов или конструкции, подтвержденных EXIT Toys, изделие или его компоненты будут отремонтированы или заменены (по усмотрению EXIT Toys) бесплатно в течение гарантийного периода, указанного в пункте 1.*
7. *Если требование по гарантии не подтверждается, все расходы несет владелец изделия.*
8. *Передача данной гарантии третьим лицам запрещается.*
9. *Батут предназначен для личного использования. Запрещается сдавать батут в аренду или устанавливать его в общественных местах, таких как школы или детские сады. Гарантийные и любые иные обязательства аннулируются, если игровой снаряд сдается в аренду или используется в общественных местах.*



**BOUNZY**  
Батут Домашний

# BOUNZY

## Батут Домашний



Официальный  
представитель в России  
ООО "Триумф Норд Рус"

info@triumph-tree.com  
www.triumphnord.ru  
+7(495)647-48-21

Контакты:  
Dutch Toys Group  
Fabriekstraat 17<sup>e</sup>  
P.O. Box 369, 7000 AJ Doetinchem  
The Netherlands  
+31 314 323 005  
info@exittoys.com  
www.exittoys.com

*EXIT является зарегистрированным товарным  
знаком Dutch Toys Group*